



CoordiNet

2nd Workshop on Flexibility Markets of the Future and TSO-DSO Cooperation

Session 1: What are the products in your market?

Kris Kessels

VITO / EnergyVille

Kris.kessels@vito.be

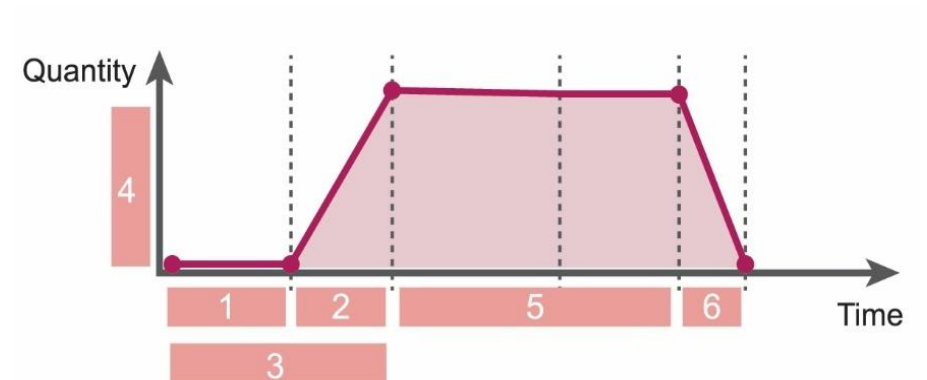


This project has received funding from the European Union's Horizon 2020 research and innovation programme under grant agreement No 824414

Products in CoordiNet

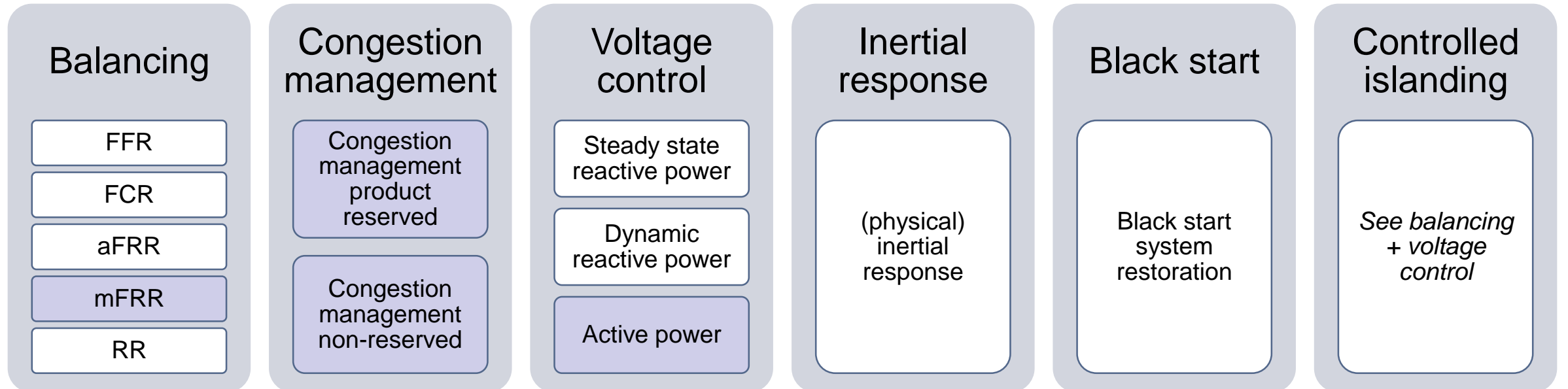
- Q1: How do you define the flexibility you procure?
 - Definition of one or more standard products for each of the grid services considered (technology-neutral)
 - Based on standard and commonly defined product attributes
 - Not all product attributes are fixed at this stage (specific values or ranges of values)
 - Where possible, we propose common attributes for different services

Preparation period (1)	Ramping period (2)	Full activation time (3)	Quantity (4)	Delivery period (5)
Deactivation period (6)	Granularity	Validity period	Recovery period	Mode of activation
Pricing	Divisibility	Location	Aggregation	Product symmetry



Products in CoordiNet

- Q1: How do you define the flexibility you procure?
 - Definition of one or more standard products for each of the grid services considered (technology-neutral)
 - Based on standard and commonly defined product attributes
 - Not all product attributes are fixed at this stage (specific values or ranges of values)
 - Where possible, we propose common attributes for different services



Products in CoordiNet

- Q2: Are the defined services/products/parameters adapted to the specific characteristics of your network or can they be universally used?
 - We started with common product parameters for the 3 demo regions (GR, SE, ES)
 - For some grid services (e.g. congestion management) products are being adapted to local circumstances
- Q3: Do you use a contract for consumers/assets/appliances to participate in the flexibility market?
 - Yes, contracts are demo specific, sometimes even TSO/DSO specific (e.g. for SE contracts are standardized but certain aspects can be different depending on the agreements made with the FSPs)
 - Depending on the use case, there is a remuneration for availability and/or activation
- Q4: Is grid and/or product prequalification organized?
 - Yes, currently demo specific prequalification (e.g. for SE currently following requirements are set: above 0,1 MW relevant impact factor for the market, adequate metering equipment,...)

Products in CoordiNet



- Q5: Do you combine several products/services in one common flexibility market (joint procurement)?
 - For some of the use cases a common market is proposed (where we trade products for the same grid service but for both the DSO and the TSO)
 - Most other use cases focus on coordinated markets (with sequential setup)

BUC	Service tested	Coordination scheme
BUC GR-1a	Voltage control	Multi-level MM
BUC GR-1b	Voltage control	Fragmented MM
BUC GR-2a	Congestion management	Multi-level MM
BUC GR-2b	Congestion management	Fragmented MM
BUC ES-1	Congestion management	Common MM
BUC ES-2	Balancing	Central MM
BUC ES-3	Voltage control	Common MM
BUC ES-4	Controlled islanding	Local MM
BUC SE-1a	Congestion management	Multi-level MM (*)
BUC SE-1b	Congestion management	Distributed MM
BUC SE-2	Balancing	Local MM
BUC SE-3	Balancing	Multi-level MM (*)

Thank you!

D1.3 “Scenarios and products: Definition of scenarios and products for the demonstration campaigns”

<https://coordinet-project.eu/publications/deliverables>