



**EUROPEAN COMMISSION**  
**DIRECTORATE-GENERAL FOR ENERGY**

Directorate E - Nuclear Safeguards  
 The Director

Luxembourg,  
 DG ENER/E1 KS/bk Ares(2015)

**Subject: Invitation to tender ENER/E1/2015-44-01 for a framework service contract regarding customised mechanical services - contract notice in OJEU 2015/S 124-226392 of 01/07/2015**

Dear Sir/Madam,

1. The European Commission is planning to award the public contract referred to above. Please find enclosed the related tender specification listing all the documents that must be produced in order to submit a tender, and the draft contract.
2. If you are interested in this contract, you should submit a tender in one original in one of the official languages of the European Union. A copy of the offer on a CD/DVD/USB stick has also to be submitted.
3. Tenderers shall submit tenders by letter:
  - a) either by post or by courier not later than 21/08/2015, in which case the evidence of the date of dispatch shall be constituted by the postmark or the date of the deposit slip, to the address indicated below.
  - b) or delivered by hand not later than 16.00 on 21/08/2015 to the address indicated below. In this case, a receipt must be obtained as proof of submission, signed and dated by the official in the Commission's central mail department who took delivery.

The department is open from 08.30 to 17.30 Monday to Thursday, and from 08.30 to 16.30 on Fridays. It is closed on Saturdays, Sundays and Commission holidays.

<p><u>By post:</u></p> <p>CALL FOR TENDERS                  ENER/E1/2015-44-01                  European Commission                  Directorate-Energy                  Direction E – Nuclear Safeguards                  Complexe Euroforum                  For the attention of Mr Meylemans/                  Mr Stamatopol EUFO 3485                  1, rue Henri M. Schnadt                  Zone d’activités Cloche d’Or                  L-2530 Luxembourg</p>	<p><u>By courier or by hand:</u></p> <p>CALL FOR TENDERS                  ENER/E1/2015-44-01                  European Commission                  Directorate-Energy                  Direction E – Nuclear Safeguards                  Complexe Euroforum                  For the attention of Mr Meylemans/                  Mr Stamatopol EUFO 3485                  1, rue Henri M. Schnadt                  Zone d’activités Cloche d’Or                  L-2530 Luxembourg</p>
--	--

Tenders must be placed inside two sealed envelopes. **The inner envelope, addressed as indicated above, should be marked as follows: "CALL FOR TENDERS – NOT TO BE OPENED BY THE INTERNAL MAIL DEPARTMENT "** If self-adhesive envelopes are used, they must be sealed with adhesive tape and the sender must sign across this tape.

The inner envelope must also contain two sealed envelopes, one containing the technical tender and the other the financial tender. Each of these envelopes must clearly indicate the content ("Administrative and technical parts" and "Financial offer (part E)").

**For your bid to be found admissible the confidentiality thereof must have been ensured and the deadline for the submission of the bids met.**

4. Tenders will be opened at 10 a.m. on 01/09/2015, at rue Henry M. Schnadt no. 1 (Directorate- General for Energy).

Tenderers may attend the meeting but be represented by not more than one person. At the end of the opening session, the Chairman of the opening committee will indicate the name of the tenderers and the decision concerning the admissibility of each offer received. The prices mentioned in the bids will not be communicated.

5. Tenders must be:

- signed by a duly authorised representative of the tenderer. The original signature of the single tenderer's or lead partner's authorised representative) (preferably in blue ink) on the identification form (Annex 1 of the technical specifications) shall be considered as the signature of the tender, binding the single tenderer or the group of partners to the terms included in the tender;
- perfectly legible so that there can be no doubt as to words and figures;

6. The period of validity of the tender, during which tenderers may not modify the terms of their tenders in any respect, is six months from the final date for submission.

7. Submission of a tender implies acceptance of all the terms and conditions set out in this invitation to tender, in the tender specification and in the draft contract and, where appropriate, waiver of the tenderer's own general or specific terms and conditions. Submission of a tender is binding on the tenderer to whom the contract is awarded for the duration of the contract.

8. All costs incurred during the preparation and submissions of tenders are to be borne by the tenderers and will not be reimbursed.

9. Contacts between the contracting authority and tenderers are prohibited throughout the procedure save in exceptional circumstances and under the following conditions only:

- Before the final date for submission of tenders:

\* At the request of the tenderer, the contracting authority may provide additional information solely for the purpose of clarifying the nature of the contract.

Any requests for additional information must be made in writing only to Konrad.Schoop@ec.europa.eu and ENER-E1-CFT@ec.europa.eu.

Requests for additional information received less than five working days before the final date for submission of tenders will not be processed.

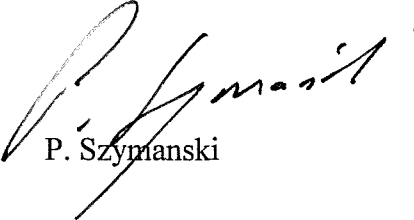
- \* The Commission may, on its own initiative, inform interested parties of any error, inaccuracy, omission or any other clerical error in the text of the call for tenders.
  - \* Any additional information including that referred to above will be posted on [http://ec.europa.eu/dgs/energy/tenders/index\\_en.htm](http://ec.europa.eu/dgs/energy/tenders/index_en.htm). The website will be updated regularly and it is the tenderers' responsibility to check for updates and modifications during the tendering period.
- After the opening of tenders
- \* If clarification is required or if obvious clerical errors in the tender need to be corrected, the contracting authority may contact the tenderer provided the terms of the tender are not modified as a result.
10. This invitation to tender is in no way binding on the Commission. The Commission's contractual obligation commences only upon signature of the contract with the successful tenderer.
  11. Up to the point of signature, the contracting authority may either abandon the procurement or cancel the award procedure, without the candidates or tenderers being entitled to claim any compensation. This decision must be substantiated and the candidates or tenderers notified.
  12. Once the Commission has opened the tender, the document shall become the property of the Commission and it shall be treated confidentially.
  13. You will be informed of the outcome of this procurement procedure.
  14. If processing your reply to the invitation to tender involves the recording and processing of personal data (such as your name, address and CV), such data will be processed pursuant to Regulation (EC) No 45/2001 on the protection of individuals with regard to the processing of personal data by the Community institutions and bodies and on the free movement of such data. Unless indicated otherwise, your replies to the questions and any personal data requested are required to evaluate your tender in accordance with the specifications of the invitation to tender and will be processed solely for that purpose by Director of the Shared Resources Directorate. Details concerning the processing of your personal data are available on the privacy statement at: [http://ec.europa.eu/dataprotectionofficer/privacystatement\\_publicprocurement\\_en.pdf](http://ec.europa.eu/dataprotectionofficer/privacystatement_publicprocurement_en.pdf).
  15. Your personal data may be registered in the Early Warning System (EWS) only or both in the EWS and Central Exclusion Database (CED) by the Accounting Officer of the Commission, should you be in one of the situations mentioned in:

- Commission Decision 2014/792/EU of 13 November 2014 on the Early Warning System to be used by authorising officers of the Commission and by the executive agencies (OJ L 329, 14.11.2014, p.68) (for more information see the Privacy Statement at [http://ec.europa.eu/budget/contracts\\_grants/info\\_contracts/legal\\_entities/legal\\_entities\\_en.cfm](http://ec.europa.eu/budget/contracts_grants/info_contracts/legal_entities/legal_entities_en.cfm)),

or

- Commission Regulation 2008/1302 of 17.12.2008 on the Central Exclusion Database (for more information see the Privacy Statement at [http://ec.europa.eu/budget/explained/management/protecting/protect\\_en.cfm#BDCE](http://ec.europa.eu/budget/explained/management/protecting/protect_en.cfm#BDCE) )

Yours faithfully,



P. Szymanski



**EUROPEAN COMMISSION**  
DIRECTORATE-GENERAL FOR ENERGY

Directorate E - Nuclear Safeguards  
**The Director**

## **CALL FOR TENDERS**

ENER/E1/2015-44-01

**Framework service contract regarding customised mechanical services**

# **TENDER SPECIFICATIONS**

## TABLE OF CONTENTS

1.	INFORMATION ON TENDERING.....	3
1.1.	Participation.....	3
1.2.	Contractual conditions.....	3
1.3.	Joint tenders.....	3
1.4.	Subcontracting.....	4
1.5.	Content of the tender .....	4
1.6.	Identification of the tenderer: legal capacity and status .....	4
2.	EVALUATION AND AWARD .....	5
2.1.	Evaluation steps.....	5
2.2.	Exclusion criteria.....	5
2.3.	Selection criteria.....	5
2.4.	Technical offer.....	7
2.5.	Financial offer .....	7
2.6.	Award of the contract .....	8
3.	TECHNICAL SPECIFICATIONS .....	8
4.	ANNEXES.....	12

# 1. INFORMATION ON TENDERING

## 1.1. Participation

Participation in this tender procedure is open on equal terms to all natural and legal persons coming within the scope of the Treaties and to all natural and legal persons in a third country which has a special agreement with the Union in the field of public procurement on the conditions laid down in that agreement. Where the Multilateral Agreement on Government Procurement<sup>1</sup> concluded within the WTO applies, the participation to the call for tenders is also open to nationals of the countries that have ratified this Agreement, on the conditions it lays down.

## 1.2. Contractual conditions

The tenderer should bear in mind the provisions of the draft contract which specifies the rights and obligations of the contractor, particularly those on payments, performance of the contract, confidentiality, and checks and audits.

## 1.3. Joint tenders

A joint tender is a situation where a tender is submitted by a group of economic operators (consortium). Joint tenders may include subcontractors in addition to the joint tenderers.

In case of joint tender, all economic operators in a joint tender assume joint and several liability towards the Contracting Authority for the performance of the contract as a whole.

These economic operators shall designate one of them to act as leader with full authority to bind the grouping or the consortium and each of its members. It shall be responsible for the receipt and processing of payments for members of the grouping, for managing the service administration and for coordination. The composition and constitution of the grouping or consortium, and the allocation of the scope of tasks amongst the members, shall not be altered without the prior written consent of the Commission.

The tenderers should indicate in their offer whether the partnership takes the form of:

a) a new or existing legal entity which will sign the contract with the Commission in case of award

or

b) a group of partners not constituting a new legal entity, who via a power of attorney, signed by an authorised representative of each partner (except the lead partner), designate one of the partners as lead partner, and mandate him as lead contractor to sign the contract with the Commission in case of award.

---

<sup>1</sup> See [http://www.wto.org/english/tratop\\_E/gproc\\_e/gp\\_gpa\\_e.htm](http://www.wto.org/english/tratop_E/gproc_e/gp_gpa_e.htm)

#### 1.4. Subcontracting

Subcontracting is permitted in the tender but the contractor will retain full liability towards the Contracting Authority for performance of the contract as a whole.

Tenderers must give an indication of the part of the services and proportion of the contract that they intend to subcontract.

Tenderers are required to identify subcontractors whose share of the contract is above 20%.

During contract execution, the change of any subcontractor identified in the tender will be subject to prior written approval of the Contracting Authority.

#### 1.5. Content of the tender

The tenders must be presented as follows:

Part A: Identification of the tenderer (see section 1.6)

Part B: Evidence for exclusion criteria (see section 2.2)

Part C: Evidence for selection criteria (see section 2.3)

Part D: Technical offer (see section 2.4)

Part E: Financial offer (see section 2.5)

Part F: Power of attorney (for consortia only)

#### 1.6. Identification of the tenderer: legal capacity and status

- The tenderer's identification form in **Annex 1** shall be filled in and signed by:
  - The tenderer (including any member of a consortium or grouping)
  - subcontractor(s) whose share of the work is expected to represent more than 20% for some specific contracts.

- In order to prove their legal capacity and their status, all tenderers (including any member of a consortium or grouping) must provide a signed **Legal Entity Form with its supporting evidence**. The form is available on:

[http://ec.europa.eu/budget/contracts\\_grants/info\\_contracts/legal\\_entities/legal\\_entities\\_en.cfm](http://ec.europa.eu/budget/contracts_grants/info_contracts/legal_entities/legal_entities_en.cfm)

Tenderers that are already registered in the Contracting Authority's accounting system (i.e. they have already been direct contractors) must provide the form but are not obliged to provide the supporting evidence.

- If it has not been included with the Legal Entity Form, tenderers must provide the following information
  - For legal persons, a legible copy of the notice of appointment of the **persons authorised to represent the tenderer** in dealings with third parties and in legal proceedings, or a copy of the publication of such appointment if the legislation which applies to the legal entity concerned requires such publication. Any



delegation of this authorisation to another representative not indicated in the official appointment must be evidenced.

- For natural persons, where applicable, a proof of registration on a professional or trade register or any other official document showing the registration number.

- The tenderer (only the leader in case of joint tender) must provide a **Financial Identification Form and supporting** documents. The form is available on: [http://ec.europa.eu/budget/contracts\\_grants/info\\_contracts/index\\_en.cfm](http://ec.europa.eu/budget/contracts_grants/info_contracts/index_en.cfm)

## **2. EVALUATION AND AWARD**

### **2.1. Evaluation steps**

The evaluation is based on the information provided in the submitted tender. It takes place in three steps:

- (1) Verification of non-exclusion of tenderers on the basis of the exclusion criteria
- (2) Selection of tenderers on the basis of selection criteria
- (3) Evaluation of tenders on the basis of the price of the tender (technical and financial evaluation)

Only tenders meeting the requirements of one step will pass on to the next step.

### **2.2. Exclusion criteria**

All tenderers shall provide a declaration on their honour (see Annex 2), duly signed and dated by an authorised representative, stating that they are not in one of the situations of exclusion listed in the Annex 2.

The declaration on honour is also required for identified subcontractors whose intended share of some specific contracts under the framework contract is expected to be above 20%.

The successful tenderer shall provide the documents mentioned as supporting evidence in Annex 2 before signature of the contract and within a deadline given by the contracting authority. This requirement applies to all members of the consortium in case of joint tender. In case of doubt on this declaration on the honour, the contracting authority may also request the evidence for subcontractors whose intended share of the contract is above 20%.

### **2.3. Selection criteria**

Tenderers must prove their economic, financial, technical and professional capacity to carry out the work subject to this call for tenders.

The tenderer may rely on the capacities of other entities, regardless of the legal nature of the links which it has with them. It must in that case prove to the Contracting Authority that it will have at its disposal the resources necessary for performance of the contract, for

example by producing an undertaking on the part of those entities to place those resources at its disposal.

### **2.3.1. Economic and financial capacity criteria and evidence**

In order to prove their economic and financial capacity, the tenderer (in case of a joint tender the combined capacity of all tenderers and identified subcontractors) must comply with the following criteria:

- The annual turnover of the last two financial years above € 100000.

The following evidence should be provided:

- Copy of the profit & loss account for the last two years for which accounts have been closed,
- Failing that, appropriate statements from banks,
- If applicable, evidence of professional risk indemnity insurance.

If, for some exceptional reason which the Contracting Authority considers justified, a tenderer is unable to provide one or other of the above documents, he or she may prove his or her economic and financial capacity by any other document which the Contracting Authority considers appropriate. In any case, the Contracting Authority must at least be notified of the exceptional reason and its justification in the tender. The Commission reserves the right to request any other document enabling it to verify the tenderer's economic and financial capacity.

### **2.3.2. Technical and professional capacity criteria and evidence**

#### **a. Criteria relating to tenderers**

Tenderers (in case of a joint tender the combined capacity of all tenderers and identified subcontractors) must comply with the following criteria:

- The tenderer must prove experience in the field of engineering concerned with at least one project delivered in this field in the last three years with a minimum value for the project of € 50000.
- The tenderer must prove experience of working in English language with at least one project delivered in the last three years showing the necessary language coverage.
- The tenderer must prove capacity to draft reports in English.
- The tenderer must prove that they are able to machine materials like Plexiglas or Macrolon, PE and material with toxic properties such as Lead, Cadmium and Tungsten.

#### **b. Criteria relating to the team delivering the service:**

The team delivering the service should include, as a minimum, the following profiles:

- at least one welder with suitable certification for fabrication of equipment for use in the nuclear industry, proof of this certification is required at the time of tender.
- at least a mechanical engineer with more than 3 years professional experience.

**c. Evidence:**

The following evidence should be provided to fulfil the above criteria:

- List of relevant services provided in the past three years, with sums, dates and recipients, public or private. The most important services shall be accompanied by certificates of satisfactory execution, specifying that they have been carried out in a professional manner and have been fully completed;
- The educational and professional qualifications of the persons who will provide the service for this tender (CVs) including the management staff. Each CV provided should indicate the intended function in the delivery of the service.
- either copies of the licences/certifications enabling the tenderer to machine materials with toxic properties such as Lead, Cadmium and Tungsten
- or list of examples for manufacturing of components based on Plexiglas or Macrolon, PE and material with toxic properties such as Lead, Cadmium and Tungsten.

**2.4. Technical offer**

Five examples are given in Annex 5. These five examples concern some work as it could be typically requested under this framework contract. The tenderers are expected to work out and submit with the tender technical information for these example tasks.

The technical offer must cover all aspects and tasks required in the technical specifications. Offers deviating from the requirements or not covering all requirements may be excluded on the basis of non-conformity with the tender specifications and not evaluated.

**2.5. Financial offer**

The price for the tender must be quoted in euro. Tenderers from countries outside the euro zone have to quote their prices in euro. The price quoted may not be revised in line with exchange rate movements. It is for the tenderer to assume the risks or the benefits deriving from any variation.

Prices must be quoted free of all duties, taxes and other charges, including VAT, as the European Union is exempt from such charges under Articles 3 and 4 of the Protocol on the privileges and immunities of the European Union. The amount of VAT may be shown separately.

Price must be quoted in euros/hour for each category of service:

- 1 - Development, design and counselling (3.2.1);
- 2- Production and supply of mechanical parts or equipment (3.2.2)
- 3- Service, maintenance and repair (3.2.3)
- 4- Prices for materials and tooling cannot be known at the time of the tender but will have to be provided for each quotation for specific work (3.2.4.)

Bids involving more than one service provider (consortium) must specify the amounts indicated above for each provider.

Indicative maximum price: The total indicative value of the contract has been estimated at maximum 200.000 EUR (up to maximum 4 years). The exact amount paid will depend on the orders placed and the work performed.

## **2.6. Award of the contract**

The tender will be awarded to the tenderer offering the lowest Price P.

### **Price P will be calculated as follows:**

Solely for the purpose of evaluating the tenders and in order to allow a comparison of prices, five examples are given in Annex 5. The five examples concern some work as it could be typically requested under this framework contract. The tenderers are expected to work out and submit with the tender the specific quotations for these five example tasks. The quotations are expected to contain in detail the hourly rates and the number of hours and the price of all materials required for the work.

The total price used for the evaluation will be the sum of the five quotations for the five example projects (Annex 5). The quotations are expected to contain in detail the hourly rates and the number of hours and the price of all materials required for the work. The total price will be calculated as the sum of the prices for the example quotations i.e. (hourly rates x No of hours for all 5 examples + price of materials).

The result of this evaluation will be a price coefficient (P) for the tender.

## **3. TECHNICAL SPECIFICATIONS**

### **3.1. Introduction**

In accordance with the provisions of Chapter VII of the EURATOM Treaty, the European Commission maintains measurement systems in nuclear installations across the European Union. For design, production, supply and repair of components of these systems, mechanical services are needed.

### **3.2. Purpose of the contract**

This is a framework contract with one contractor for mechanical services, which will include the design, development, counselling, maintenance, service/repair of the mechanical parts of equipment associated with these activities as well as the preparation of tooling and supply of materials as required for particular tasks.

Any action which would be carried out under this framework contract will be triggered by the Commission as defined in these specifications by signed order (Annex III of the draft framework contract), in which the technical specifications and details will be defined.

The tenderers will be required to carry out the following types of work:

### ***3.2.1. Development, design and counselling***

Produce industrial/engineering drawings based on discussions and/or sketches with appropriate component layout. They will also be required to provide advice and counselling at the design stage of work to be carried out by them.

### ***3.2.2. Production and supply of mechanical parts or equipment***

Complex mechanical work comparable to that of a toolmaker, according to sketches or engineering drawings supplied. Complex work will also include advice on the proposed design and materials chosen etc. (i.e. recognise and inform of obvious technical errors in proposed design).

### ***3.2.3. Services, maintenance and repair***

Simple mechanical work comprising, for example, cutting, drilling turning, folding and milling, according to sketches supplied should be provided.

Service, maintenance and repair of mechanical parts or equipment should be performed.

### ***3.2.4. Materials and tooling used for services***

- a) Provide suitable materials for carrying out the work specified in the above points as well as materials for operation and maintenance of the equipment supplied.
- b) Tenderer will have to supply, at short notice, small items of material and tooling to facilitate the service/repair of equipment such as that associated with Sections 3.2.2 to 3.2.3 above.
- c) Special Tooling: In cases where special tooling must be fabricated in order to carry out a work order the following rules will apply:
  - Any special tooling to be financed by the Commission will be subject to prior approval.
  - Prior to approval the Commission will require the submission of a dimensioned drawing stating the materials used and number of hours needed to complete the production.
  - The Commission reserves the right to keep any such tooling at its headquarters and it will in all cases remain the property of the European Commission.
  - In cases where it is more convenient for tooling to be stored at the tenderer workshops the Commission insists that it be used exclusively for work requested by it

- On termination of the contract all special tooling financed under that contract will be turned over to the Commission.

### **3.3. Quotations to produce**

Quotations are based on written request for the mechanical services described above (Annex V to the draft framework contract). The tenderer will provide a quotation based on the price list mentioned in the tender, together with sufficient technical description. Furthermore a date of delivery and warranty should be proposed for that action.

The contractor will submit a draft quotation to the Commission at the latest 21 calendar days after receiving the written request (Annex V of the draft framework contract) for the mechanical services.

The quotations will be sent in writing to an appointed member of Commission staff.

a) The contractor may be required to send an appointed person to the Commission to discuss technical details and to estimate the cost of particular projects prior to commencement of work. All related transport and other costs for this will be borne by the tendering company. This can be expected to be about four times per year.

b) The quotations will be required to show:

- the number of hours of each work category to be used as mentioned on section 3.2.1, 3.2.2, and 3.2.3.
- the cost of materials as mentioned in section 3.2.4
- the total cost to carry out the work, including number of hours of each work category and cost of materials.

c) The Commission shall approve or reject these quotations. They will be evaluated on an individual basis and a Purchase Order will be sent to the contractor (Annex III of the draft framework contract).

Real orders to be placed under the framework contract will depend on operational requirements. These are not known in detail at the time of publishing this call for tender.

### **3.4. Execution of the work order**

The time limit for completion and delivery of ordered goods/services will be 10 working days from the date of receiving the purchase order, if the ordered work does not exceed 40 hours.

Longer delivery times can be agreed (e.g. if particular materials are required or the volume of work is larger). In cases where the production of an engineering drawing is necessary prior to commencement, the delivery time will automatically be prolonged by 7 working days.

### **3.5. Cost of packaging and delivery**

The cost of packaging and delivery of the ordered goods or services will be borne by the tenderer.

### **3.6. Acceptance of performed services**

In accordance with Article I.4.2 of the draft contract the Commission will have 60 days to approve or reject the goods/service by signature of the Record of Technical Acceptance (Annex IV to the draft framework contract) and to make the payment.

### **3.7. Duration of the tasks**

This contract is concluded for a period of 12 months with effect from the date on which it enters into force. This period is calculated in calendar days.

The contract shall be renewed automatically up to three times under the same conditions, unless written notification to the contrary is sent by one of the contracting parties.

The Commission shall consider the contract for automatically renewal based on the following performance criteria related to the execution of the orders:

- a) delivery time of services. The ordered services should have been delivered within the agreed delivery time or within the time agreed by both parties per amendment of the order.
- b) quality of services. The quality of the services is considered satisfactory if a complete technical acceptance is issued by the Commission for each order.

### **3.8. Place of performance and delivery**

The tasks will be performed on the Contractor's premises. However, technical meetings between the contractor and the Commission may be held on Commission premises in Luxembourg maximum ten times per year. No reimbursement for travel costs, accommodation or associated fees may be claimed by the contractor from the Commission.

The tenderer will deliver the goods to Luxembourg to the following address:

European Commission  
Directorate General -Energy  
Direction E - Nuclear Safeguards  
Complexe Euroforum II  
For the attention of Alain Cluzeau EUFO2-4475  
1, rue Henry M. Schnadt  
Zone d'activités Cloche d'Or  
L-2530 Luxembourg

#### **4. ANNEXES**

1. Tenderer 's Identification Form
2. Declaration related to the exclusion criteria and absence of conflict of interest
3. Power of Attorney (mandate in case of joint tender)
4. Draft Contract
5. Examples of Technical Projects



## ANNEX 1

### IDENTIFICATION OF THE TENDERER

(Each service provider, including any member of a consortium or grouping and subcontractor(s) whose share of the work is more than 20% of the contract must complete and sign this identification form)

#### Call for tenders ENER/E1/2015-44-01

<b>Identity</b>	
Name of the tenderer	
Legal status of the tenderer	
Date of registration	
Country of registration	
Registration number	
VAT number	
Description of statutory social security cover (at the level of the Member State of origin) and non-statutory cover (supplementary professional indemnity insurance) <sup>2</sup>	
<b>Address</b>	
Address of registered office of tenderer	
Where appropriate, administrative address of tenderer for the purposes of this invitation to tender	
<b>Contact Person</b>	
Surname: First name: Title (e.g. Dr, Mr, Ms) :	

---

<sup>2</sup> For natural persons

Position (e.g. manager): Telephone number: Fax number: E-mail address:	
<b>Legal Representatives</b>	
<b>Names and function of legal representatives</b> and of other representatives of the tenderer who are authorised to sign contracts with third parties	
<b>Declaration by an authorised representative of the organisation<sup>3</sup></b>  I, the undersigned, certify that the information given in this tender is correct and that the tender is valid.	
Surname: First name:	Signature:

---

<sup>3</sup> This person must be included in the list of legal representatives; otherwise the signature on the tender will be invalidated.

## ANNEX 2

### Declaration of honour on exclusion criteria and absence of conflict of interest

*(Complete or delete the parts in grey italics in parentheses)*

[Choose options for parts in grey between square brackets]

The undersigned (*insert name of the signatory of this form*):

in [his][her] own name (*for a natural person*)

or

representing the following legal person: (*only if the economic operator is a legal person*)

full official name:

official legal form:

full official address:

VAT registration number:

- declares that [the above-mentioned legal person][he][she] is not in one of the following situations:
- a) is bankrupt or being wound up, is having its affairs administered by the courts, has entered into an arrangement with creditors, has suspended business activities, is the subject of proceedings concerning those matters, or is in any analogous situation arising from a similar procedure provided for in national legislation or regulations;
  - b) has been convicted of an offence concerning professional conduct by a judgment of a competent authority of a Member State which has the force of *res judicata*;
  - c) has been guilty of grave professional misconduct proven by any means which the contracting authorities can justify including by decisions of the European Investment Bank and international organisations;
  - d) is not in compliance with all its obligations relating to the payment of social security contributions and the payment of taxes in accordance with the legal provisions of the country in which it is established, with those of the country of the contracting authority and those of the country where the contract is to be performed;
  - e) has been the subject of a judgement which has the force of *res judicata* for fraud, corruption, involvement in a criminal organisation, money laundering or any other illegal activity, where such activity is detrimental to the Union's financial interests;
  - f) is a subject of an administrative penalty for being guilty of misrepresentation in supplying the information required by the contracting authority as a condition of participation in a procurement procedure or failing to supply this information, or having been declared to be in serious breach of its obligations under contracts covered by the Union's budget.
- (*Only for legal persons other than Member States and local authorities, otherwise delete*) declares that the natural persons with power of representation, decision-

making or control<sup>4</sup> over the above-mentioned legal entity are not in the situations referred to in b) and e) above;

- declares that [the above-mentioned legal person][he][she]:
- g) has no conflict of interest in connection with the contract; a conflict of interest could arise in particular as a result of economic interests, political or national affinity, family, emotional life or any other shared interest;
- h) will inform the contracting authority, without delay, of any situation considered a conflict of interest or which could give rise to a conflict of interest;
- i) has not granted and will not grant, has not sought and will not seek, has not attempted and will not attempt to obtain, and has not accepted and will not accept any advantage, financial or in kind, to or from any party whatsoever, where such advantage constitutes an illegal practice or involves corruption, either directly or indirectly, inasmuch as it is an incentive or reward relating to award of the contract;
- j) provided accurate, sincere and complete information to the contracting authority within the context of this procurement procedure ;
- acknowledges that [the above-mentioned legal person][he][she] may be subject to administrative and financial penalties<sup>5</sup> if any of the declarations or information provided prove to be false.

In case of award of contract, the following evidence shall be provided upon request and within the time limit set by the contracting authority:

For situations described in (a), (b) and (e), production of a recent extract from the judicial record is required or, failing that, a recent equivalent document issued by a judicial or administrative authority in the country of origin or provenance showing that those requirements are satisfied. Where the tenderer is a legal person and the national legislation of the country in which the tenderer is established does not allow the provision of such documents for legal persons, the documents should be provided for natural persons, such as the company directors or any person with powers of representation, decision making or control in relation to the tenderer.

For the situation described in point (d) above, recent certificates or letters issued by the competent authorities of the State concerned are required. These documents must provide evidence covering all taxes and social security contributions for which the tenderer is liable, including for example, VAT, income tax (natural persons only), company tax (legal persons only) and social security contributions.

For any of the situations (a), (b), (d) or (e), where any document described in two paragraphs above is not issued in the country concerned, it may be replaced by a sworn or, failing that, a solemn statement made by the interested party before a judicial or administrative authority, a notary or a qualified professional body in his country of origin or provenance.

If the tenderer is a legal person, information on the natural persons with power of representation, decision making or control over the legal person shall be provided only upon request by the contracting authority.

Full name

Date

Signature

---

<sup>4</sup> This covers the company directors, members of the management or supervisory bodies, and cases where one natural person holds a majority of shares.

<sup>5</sup> As provided for in Article 109 of the Financial Regulation (EU, Euratom) 966/2012 and Article 145 of the Rules of Application of the Financial Regulation

## ANNEX 3

### POWER OF ATTORNEY

**mandating one of the partners in a joint tender as lead partner and lead contractor<sup>6</sup>**

The undersigned:

– Signatory (Name, Function, Company, Registered address, VAT Number)

having the legal capacity required to act on behalf of his/her company,

HEREBY AGREES TO THE FOLLOWING:

- 1) To submit a tender as a partner in the group of partners constituted by Company 1, Company 2, Company N, and led by Company X, in accordance with the conditions specified in the tender specifications and the terms specified in the tender to which this power of attorney is attached.
- 2) If the European Commission awards the Contract to the group of partners constituted by Company 1, Company 2, Company N, and led by Company X on the basis of the joint tender to which this power of attorney is attached, all the partners shall be co-signatories of the Contract in accordance with the following conditions:
  - (a) All partners shall be jointly and severally liable towards the European Commission for the performance of the Contract.
  - (b) All partners shall comply with the terms and conditions of the Contract and ensure the proper delivery of their respective share of the services and/or supplies subject to the Contract.
- 1) Payments by the European Commission related to the services and/or supplies subject to the Contract shall be made through the lead partner's bank account: Provide details on bank address, account number.
- 2) The partners grant to the lead partner all the necessary powers to act on their behalf in the submission of the tender and conclusion of the Contract, including:
  - (a) The lead partner shall submit the tender on behalf of the group of partners.
  - (b) The lead partner shall sign any contractual documents — including the Contract, and Amendments thereto — and issue any invoices related to the Services on behalf of the group of partners.
  - (c) The lead partner shall act as a single contact point with the European Commission in the delivery of the services and/or supplies subject to the Contract. It shall co-ordinate the delivery of the services and/or supplies by the group of partners to the European Commission, and shall see to a proper administration of the Contract.

Any modification to the present power of attorney shall be subject to the European Commission's express approval. This power of attorney shall expire when all the contractual obligations of the group of partners towards the European Commission for the delivery of the services and/or supplies subject to the Contract have ceased to exist. The parties cannot terminate it before that date without the Commission's consent.

Signed in ..... on dd/mm/yyyy

Place and date:

Name (in capital letters), function, company and signature:

<sup>6</sup> To be filled in and signed by each partner in a joint tender, except the lead partner;



EUROPEAN COMMISSION  
DIRECTORATE-GENERAL FOR ENERGY

Directorate E - Nuclear Safeguards  
The Director

## ANNEX 4

# FRAMEWORK SERVICE CONTRACT

FRAMEWORK CONTRACT NUMBER – [complete]

The European Atomic Energy Community (hereinafter referred to as "the Community"), represented by the European Commission hereinafter referred to as "the contracting authority"), represented for the purposes of the signature of this framework contract by Mr. Piotr Szymanski, Director in the Directorate-General for Energy, Directorate Nuclear Safeguards

on the one part, and

[full official name]

[official legal form]<sup>1</sup>

[statutory registration number]<sup>2</sup>

[full official address ]

[VAT registration number]

(hereinafter referred to as 'the contractor'), represented for the purposes of the signature of this framework contract by [forename, surname and function,]

on the other part,

---

<sup>1</sup> Delete if contractor is a natural person or a body governed by public law.

<sup>2</sup> Delete if contractor is a body governed by public law. For natural persons, indicate the number of their identity card or, failing that, of their passport or equivalent.

HAVE AGREED

to the **special conditions**, the **general conditions for service framework contracts**, and the following annexes:

- Annex I** – Tender specifications (reference No [complete] of [insert date])
- Annex II** – Contractor's tender (reference No [complete] of [insert date])
- Annex III** – Purchase order
- Annex IV** - Record of Technical Acceptance
- Annex V** - Written request for mechanical services

which form an integral part of this framework contract (hereinafter referred to as “the FWC”).

- The terms set out in the special conditions shall take precedence over those in the other parts of the FWC.
- The terms set out in the general conditions shall take precedence over those in the model order form and model specific contract
- The terms set out in the model order form and model specific contract shall take precedence over those in the other annexes.
- The terms set out in the tender specifications (Annex I) shall take precedence over those in the tender (Annex II).
- The terms set out in the framework contract shall take precedence over those in the order forms and specific contracts.

## **I – SPECIAL CONDITIONS**

### **ARTICLE I.1 – SUBJECT MATTER**

- I.1.1** The subject matter of the FWC is the provision of customised mechanical services.
- I.1.2** Signature of the FWC imposes no obligation on the contracting authority to purchase. Only performance of the FWC through order forms or specific contracts is binding on the contracting authority.

### **ARTICLE I.2 – ENTRY INTO FORCE AND DURATION**

- I.2.1** The FWC shall enter into force on the date on which it is signed by the last party.
- I.2.2** Under no circumstances may performance commence before the date on which the FWC enters into force. Execution of the tasks may under no circumstances begin before the date on which the order form or specific contract enters into force.
- I.2.3** The FWC is concluded for a period of 12 months with effect from the date on which it enters into force. Unless otherwise specified, all periods specified in the FWC are calculated in calendar days.
- I.2.4** The order forms or specific contracts shall be signed by both parties before the FWC expires.

The FWC shall continue to apply to such order forms and specific contracts after its expiry. They shall be executed no later than six months after its expiry.

#### **I.2.5 FWC renewal**

The FWC shall be renewed automatically up to three times under the same conditions, unless written notification to the contrary is sent by one of the parties and received by the other three months before expiry of the period indicated in Article I.2.3. Renewal does not imply any modification or deferment of existing obligations.

The Contracting authority shall consider the contract for automatic renewal based on the following performance criteria related to the execution of the orders:

- a) delivery time of supplies and services. The ordered supplies and services should have been delivered within the agreed delivery time or within the time agreed by both parties per amendment of the order.
- b) quality of supplies and services. The quality of the supplies and services is considered satisfactory if a complete technical acceptance is issued by the Contracting authority for each order.

### **ARTICLE I.3 – PRICES**

- I.3.1** The maximum amount of the FWC shall be EUR [*amount in figures and in word*]. However, this must in no way be construed as a commitment on the contracting authority to purchase for the maximum amount.



The maximum prices of the services shall be as listed in Annex II.

## **ARTICLE I.4 – PAYMENT ARRANGEMENTS AND PERFORMANCE OF THE FRAMEWORK CONTRACT**

### **I.4.1 Single framework contract**

Within 21 calendar days of an order form or a request for services being sent by the contracting authority to the contractor, the contracting authority shall receive the completed order form or a specific tender back, duly signed and dated.

The period allowed for the execution of the tasks shall start to run on the date the contractor signs the order form, unless a different date is indicated on the form.

### **I.4.2 Payment of the balance**

The contractor shall submit an invoice for payment of the balance.

The invoice shall accompany the delivery. The contracting authority shall make the payment within 60 days from receipt of the invoice. The contractor shall have 7 days in which to submit additional information or corrections, or other documents if it is required by the contracting authority.

## **ARTICLE I.5 – BANK ACCOUNT**

Payments shall be made to the contractor's bank account denominated in euro, identified as follows:

Name of bank:  
Full address of branch:  
Exact designation of account holder:  
Full account number including [bank] codes:  
[IBAN<sup>3</sup> code:]

## **ARTICLE I.6 – COMMUNICATION DETAILS AND DATA CONTROLLER**

For the purpose of Article II.6, the data controller shall be the Director of the Shared Resources Directorate MOVE-ENER.

Communications shall be sent to the following addresses:

Contracting authority:

European Commission  
Directorate-General for Energy  
Financial and Contractual Cell of Directorates D and E  
1, rue Henri M. Schnadt  
L-2530 Luxembourg

Contractor:

[Mr/Mrs/Ms]  
[Function]  
[Company name]  
[Full official address]  
Email: [complete]

---

<sup>3</sup> BIC or SWIFT code for countries with no IBAN code.

## **ARTICLE I.7 – APPLICABLE LAW AND SETTLEMENT OF DISPUTES**

**I.7.1** The FWC shall be governed by Community and Union law, complemented, where necessary, by the law of Luxembourg.

**I.7.2** Any dispute between the parties in relation to the interpretation, application or validity of the FWC which cannot be settled amicably shall be brought before the courts of Luxembourg.

## **ARTICLE I.8 - EXPLOITATION OF THE RESULTS OF THE FWC**

### **I.8.1 Modes of exploitation**

In accordance with Article II.10.2 whereby the Union acquires ownership of the results as defined in the tender specifications (Annex I), these results may be used for any of the following purposes:

- (a) use for its own purposes:
  - (i) making available to the staff of the contracting authority
  - (ii) making available to the persons and entities working for the contracting authority or cooperating with it, including contractors, subcontractors whether legal or natural persons, Union institutions, agencies and bodies, Member States' institutions
  - (iii) installing, uploading, processing
  - (iv) arranging, compiling, combining, retrieving
  - (v) copying, reproducing in whole or in part and in unlimited number of copies
- (b) distribution to the public:
  - (i) publishing in hard copies
  - (ii) publishing in electronic or digital format
  - (iii) publishing on the internet as a downloadable/non-downloadable file
  - (iv) broadcasting by any kind of technique of transmission
  - (v) public presentation or display
  - (vi) communication through press information services
  - (vii) inclusion in widely accessible databases or indexes
  - (viii) otherwise in any form and by any method
- (c) modifications by the contracting authority or by a third party in the name of the contracting authority:
  - (i) shortening
  - (ii) summarizing
  - (iii) modifying of the content
  - (iv) making technical changes to the content:
    - necessary correction of technical errors
    - adding new parts or functionalities
    - changing functionalities
    - providing third parties with additional information concerning the result (e.g. source code) with a view of making modifications

- (v) addition of new elements, paragraphs titles, leads, bolds, legend, table of content, summary, graphics, subtitles, sound, etc.
  - (vi) preparation in audio form, preparation as a presentation, animation, pictograms story, slide-show, public presentation etc.
  - (vii) extracting a part or dividing into parts
  - (viii) use of a concept or preparation of a derivate work
  - (ix) digitisation or converting the format for storage or usage purposes
  - (x) modifying dimensions
  - (xi) translating, inserting subtitles, dubbing in different language versions:
    - English, French, German
    - all official languages of EU
    - languages used within EU
    - languages of candidate countries
- (d) the modes of exploitation listed in Article II.10.4
- (e) rights to authorise, license, or sub-license in case of licensed pre-existing rights, the modes of exploitation set out in any of the points (a) to (d) to third parties.

Where the contracting authority becomes aware that the scope of modifications exceeds that envisaged in the contract, the contracting authority shall consult the contractor. Where necessary, the contractor shall in turn seek the agreement of any creator or other right holder. The contractor shall reply to the contracting authority within one month and shall provide its agreement, including any suggestions of modifications, free of charge. The creator may refuse the intended modification only when it may harm his honour, reputation or distort integrity of the work.

## **I.8.2 Pre-existing rights and transmission of rights**

The contractor shall provide to the contracting authority a list of pre-existing rights and third parties' rights including its personnel, creators or other right holders as provided for in Article II.10.5.

## **ARTICLE I.9 – TERMINATION BY EITHER PARTY**

Either party may, unilaterally and without being required to pay compensation, terminate either the FWC or the FWC and order forms or specific contracts by formally notifying the other party and by giving one month's notice. Should the contracting authority terminate the FWC, order forms or specific contracts, the contractor shall only be entitled to payment corresponding to the part-performance of the services ordered before the termination date. The first paragraph of Article II.14.3 shall apply.

## **ARTICLE I.10 – INTER-INSTITUTIONAL FRAMEWORK CONTRACT**

Not applicable

**SIGNATURES**

For the contractor,

[Company name/forename/surname/function]

signature[s]: \_\_\_\_\_

Done at [Brussels], [date]

In duplicate in English.

For the contracting authority,

Mr. Piotr Szymanski

Director

signatures: \_\_\_\_\_

Done at Luxembourg, [date]

## **II – GENERAL CONDITIONS FOR SERVICE FRAMEWORK CONTRACTS**

### **ARTICLE II. 1 – PERFORMANCE OF THE FWC**

- II.1.1** The contractor shall perform the FWC to the highest professional standards.
- II.1.2** The contractor shall be solely responsible for taking the necessary steps to obtain any permit or licence required for performance of the FWC under the laws and regulations in force at the place where the tasks assigned to him are to be executed.
- II.1.3** Without prejudice to Article II.4 any reference made to the contractor's personnel in the FWC shall relate exclusively to individuals involved in the performance of the FWC.
- II.1.4** The contractor must ensure that the personnel performing the FWC possesses the professional qualifications and experience required for the execution of the tasks assigned to it.
- II.1.5** The contractor shall neither represent the contracting authority nor behave in any way that would give such an impression. The contractor shall inform third parties that it does not belong to the European public service.
- II.1.6** The contractor shall be solely responsible for the personnel who executes the tasks assigned to him.

The contractor shall stipulate the following employment or service relationships with its personnel:

- (a) personnel executing the tasks assigned to the contractor may not be given orders directly by the contracting authority;
  - (b) the contracting authority may not under any circumstances be considered to be the employer of the personnel referred to in point (a) and the personnel shall undertake not to invoke against the contracting authority any right arising from the contractual relationship between the contracting authority and the contractor.
- II.1.7** In the event of disruption resulting from the action of one of the contractor's personnel working on the contracting authority's premises or in the event that the expertise of one of the contractor's personnel fails to correspond to the profile required by the FWC, the contractor shall replace him without delay. The contracting authority shall have the right to make a reasoned request for the replacement of any such personnel. The replacement personnel must have the necessary qualifications and be capable of performing the FWC under the same contractual conditions. The contractor shall be responsible for any delay in the execution of the tasks assigned to him resulting from the replacement of personnel.
- II.1.8** Should the execution of the tasks be directly or indirectly hampered, either partially or totally, by any unforeseen event, action or omission, the contractor shall immediately and on its own initiative record it and report it to the contracting authority. The report shall include a description of the problem and an indication of the date on which it started and of the remedial action taken by the contractor to ensure full compliance with its obligations under this FWC. In such an event the

contractor shall give priority to solving the problem rather than determining liability.

- II.1.9** Should the contractor fail to perform its obligations under the FWC or order form or specific contract, the contracting authority may - without prejudice to its right to terminate the FWC order form or specific contract or - reduce or recover payments in proportion to the scale of the unperformed obligations. In addition, the contracting authority may claim compensation or impose liquidated damages in accordance with Article II.12.

## **ARTICLE II.2 – MEANS OF COMMUNICATION**

- II.2.1** Any communication relating to the FWC or to its performance shall be made in writing and shall bear the FWC number, and if applicable the order form or specific contract number. Any communication is deemed to have been made when it is received by the receiving party unless otherwise provided for in this FWC.

- II.2.2** Electronic communication shall be deemed to have been received by the parties on the day of dispatch of that communication provided it is sent to the addressees listed in Article I.6. Without prejudice to the preceding, if the sending party receives a message of non-delivery to or of absence of the addressee, it shall make every effort to ensure the actual receipt of such communication by the other party.

Electronic communication shall be confirmed by an original signed paper version of that communication if requested by any of the parties provided that this request is submitted without unjustified delay. The sender shall send the original signed paper version without unjustified delay.

- II.2.3** Mail sent using the postal services is deemed to have been received by the contracting authority on the date on which it is registered by the department responsible referred to in Article I.6.

Any formal notification shall be made by registered mail with return receipt or equivalent, or by equivalent electronic means.

## **ARTICLE II.3 – LIABILITY**

- II.3.1** The contractor shall be solely responsible for complying with any legal obligations incumbent on it.

- II.3.2** The contracting authority shall not be held liable for any damage caused or sustained by the contractor, including any damage caused by the contractor to third parties during or as a consequence of performance of the FWC, except in the event of wilful misconduct or gross negligence on the part of the contracting authority.

- II.3.3** The contractor shall be held liable for any loss or damage sustained by the contracting authority in performance of the FWC, including in the event of subcontracting, and for any claim by a third party, but only to an amount not exceeding three times the total amount of the relevant order form or specific contract. Nevertheless, if the damage or loss is caused by the gross negligence or wilful misconduct of the contractor or of its personnel or subcontractors, the contractor shall have unlimited liability for the amount of the damage or loss.

- II.3.4** The contractor shall indemnify and hold the Community harmless for all damages and costs incurred due to any claim. The contractor shall provide compensation in

the event of any action, claim or proceeding brought against the contracting authority by a third party as a result of damage caused by the contractor during the performance of the FWC. In the event of any action brought by a third party against the contracting authority in connection with the performance of the FWC including any alleged breach of intellectual property rights, the contractor shall assist the contracting authority. Such expenditure incurred by the contractor may be borne by the contracting authority.

**II.3.5** The contractor shall take out an insurance policy against risks and damage relating to the performance of the FWC if required by the relevant applicable legislation. It shall take out supplementary insurance as reasonably required by standard practice in the industry. A copy of all the relevant insurance contracts shall be sent to the contracting authority should it so request.

#### **ARTICLE II. 4 - CONFLICT OF INTERESTS**

**II.4.1** The contractor shall take all the necessary measures to prevent any situation of conflict of interest. Such situation arises where the impartial and objective performance of the FWC is compromised for reasons involving economic interest, political or national affinity, family or emotional ties, or any other shared interest.

**II.4.2** Any situation constituting or likely to lead to a conflict of interest during the performance of the FWC shall be notified to the contracting authority in writing without delay. The contractor shall immediately take all the necessary steps to rectify the situation. The contracting authority reserves the right to verify that the steps taken are appropriate and may require that additional steps be taken within a specified deadline.

**II.4.3** The contractor declares that it has not granted and will not grant, has not sought and will not seek, has not attempted and will not attempt to obtain and has not accepted and will not accept, any advantage, financial or in kind, to or from any party whatsoever, when such advantage constitutes an illegal practice or involves corruption, either directly or indirectly, in so far as it serves as an incentive or reward relating to the performance of the FWC.

**II.4.4** The contractor shall pass on all the relevant obligations in writing to its personnel and to any natural person with the power to represent it or take decisions on its behalf and ensure that it is not placed in a situation which could give rise to conflicts of interest. The contractor shall also pass on all the relevant obligations in writing to third parties involved in the performance of the FWC including subcontractors.

#### **ARTICLE II.5 – CONFIDENTIALITY**

**II.5.1.** The contracting authority and the contractor shall treat with confidentiality any information and documents, in any form, disclosed in writing or orally in relation to the performance of the FWC and identified in writing as confidential.

The contractor shall:

- (a) not use confidential information and documents for any purpose other than fulfilling its obligations under the FWC, order form or specific contract without prior written agreement of the contracting authority;

- (b) ensure the protection of such confidential information and documents with the same level of protection it uses to protect its own confidential information, but in no case any less than reasonable care;
- (c) not disclose directly or indirectly confidential information and documents to third parties without prior written agreement of the contracting authority.

**II.5.2** The confidentiality obligation set out in Article II.5.1 shall be binding on the contracting authority and the contractor during the performance of the FWC and for five years starting from the date of the payment of the balance unless:

- (a) the disclosing party agrees to release the other party from the confidentiality obligation earlier;
- (b) the confidential information becomes public through other means than in breach of the confidentiality obligation, through disclosure by the party bound by that obligation;
- (c) the disclosure of the confidential information is required by law.

**II.5.3** The contractor shall obtain from any natural person with the power to represent it or take decisions on its behalf, as well as from third parties involved in the performance of the FWC, order form or specific contract an undertaking that they will comply with the confidentiality obligation set out in Article II.5.1.

## **ARTICLE II.6– PROCESSING OF PERSONAL DATA**

**II.6.1** Any personal data included in the FWC shall be processed pursuant to Regulation (EC) 45/2001 of the European Parliament and of the Council of 18 December 2000 on the protection of individuals with regard to the processing of personal data by the Community institutions and bodies and on the free movement of such data. Such data shall be processed by the data controller solely for the purposes of the performance, management and monitoring of the FWC without prejudice to its possible transmission to the bodies charged with monitoring or inspection tasks in application of Community and Union law.

**II.6.2** The contractor shall have the right to access its personal data and the right to rectify any such data. The contractor should address any queries concerning the processing of its personal data to the data controller.

**II.6.3** The contractor shall have right of recourse at any time to the European Data Protection Supervisor.

**II.6.4** Where the FWC requires the processing of personal data by the contractor, the contractor may act only under the supervision of the data controller, in particular with regard to the purposes of the processing, the categories of data which may be processed, the recipients of the data and the means by which the data subject may exercise his rights.

**II.6.5** The contractor shall grant personnel access to the data to the extent strictly necessary for the performance, management and monitoring of the FWC.

**II.6.6** The contractor undertakes to adopt appropriate technical and organisational security measures having regard to the risks inherent in the processing and to the nature of the personal data concerned in order to:

- (a) prevent any unauthorised person from gaining access to computer systems processing personal data, and especially:



- (i) unauthorised reading, copying, alteration or removal of storage media;
  - (ii) unauthorised data input, as well as any unauthorised disclosure, alteration or erasure of stored personal data;
  - (iii) unauthorised use of data-processing systems by means of data transmission facilities;
- (b) ensure that authorised users of a data-processing system can access only the personal data to which their access right refers;
  - (c) record which personal data have been communicated, when and to whom;
  - (d) ensure that personal data being processed on behalf of third parties can be processed only in the manner prescribed by the contracting authority;
  - (e) ensure that, during communication of personal data and transport of storage media, the data cannot be read, copied or erased without authorisation;
  - (f) design its organisational structure in such a way that it meets data protection requirements.

## **ARTICLE II. 7 – SUBCONTRACTING**

- II.7.1** The contractor shall not subcontract without prior written authorisation from the contracting authority nor cause the FWC to be de facto performed by third parties.
- II.7.2** Even where the contracting authority authorises the contractor to subcontract to third parties, it shall nevertheless remain bound by its contractual obligations and shall be solely responsible for the proper performance of this FWC.
- II.7.3** The contractor shall make sure that the subcontract does not affect rights and guarantees granted to the contracting authority by virtue of this FWC, notably by Article II.18.

## **ARTICLE II. 8 – AMENDMENTS**

- II.8.1** Any amendment to the FWC or order form or specific contract shall be made in writing before fulfilment of all contractual obligations. An order form or a specific contract may not be deemed to constitute an amendment to the FWC.
- II.8.2** The amendment may not have the purpose or the effect of making changes to the FWC or to order forms or specific contracts which might call into question the decision awarding the FWC, order form or specific contract or result in unequal treatment of tenderers or contractors.

## **ARTICLE II. 9 – ASSIGNMENT**

- II.9.1** The contractor shall not assign the rights, including claims for payments, and obligations arising from the FWC, in whole or in part, without prior written authorisation from the contracting authority.
- II.9.2** In the absence of such authorisation, or in the event of failure to observe the terms thereof, the assignment of rights or obligations by the contractor shall not be enforceable against the contracting authority and shall have no effect on it.

## **ARTICLE II. 10 – OWNERSHIP OF THE RESULTS - INTELLECTUAL AND INDUSTRIAL PROPERTY RIGHTS**

### **II.10.1 Definitions**

In this FWC the following definitions apply:

- (1) 'results' means any intended outcome of the performance of the FWC which is delivered and finally accepted by the contracting authority.
- (2) 'creator' means any natural person who contributed to the production of the result and includes personnel of the contracting authority or a third party.
- (3) 'pre-existing rights' means any industrial and intellectual property rights, including background technology, which exist prior to the contracting authority or the contractor ordering them for the purpose of the FWC performance and include rights of ownership and use by the contractor, the creator, the contracting authority and any other third parties.

### **II.10.2 Ownership of the results**

The ownership of the results shall be fully and irrevocably acquired by the Community under the FWC including any rights in any of the results listed in the FWC and order forms or specific contracts, including copyright and other intellectual or industrial property rights, and all technological solutions and information contained therein, produced in performance of the FWC. The contracting authority may exploit them as stipulated in this FWC or order forms or specific contracts. All the rights shall be acquired by the Community from the moment the results are delivered by the contractor and accepted by the contracting authority. Such delivery and acceptance are deemed to constitute an effective assignment of rights from the contractor to the Community.

The payment of the price as set out in the order forms or specific contracts is deemed to include any fees payable to the contractor in relation to the acquisition of ownership of rights by the Community including all forms of use of the results.

The acquisition of ownership of rights by the Community under this FWC covers all territories worldwide.

Any intermediary sub-result, raw data, intermediary analysis made available by the contractor cannot be used by the contracting authority without the written consent of the contractor, unless the FWC or specific contract or order form explicitly provides for it to be treated as a self-contained result.

### **II.10.3 Licensing of pre-existing rights**

The Community shall not acquire ownership of the pre-existing rights.

The contractor shall license the pre-existing rights on a royalty-free, non-exclusive and irrevocable basis to the Community which may use the pre-existing right as foreseen in Article I.8.1 or in order forms or specific contracts. All the pre-existing rights shall be licensed to the Community from the moment the results were delivered and accepted by the contracting authority.

The licensing of pre-existing rights to the Community under this FWC covers all territories worldwide and is valid for the whole duration of intellectual property rights protection.

#### **II.10.4 Modes of exploitation**

The Community shall acquire ownership of each of the results produced as an outcome of the FWC which may be used for any of the following purposes:

- (a) giving access upon individual requests without the right to reproduce or exploit, as provided for by Regulation 1049/2001 of the European Parliament and of the Council of 30 May 2001 regarding public access to European Parliament, Council and Commission documents;
- (b) storage of the original and copies made in accordance with this FWC or specific contract or order form;
- (c) archiving in line with the document management rules applicable to the contracting authority.

#### **II.10.5 Identification and evidence of granting of pre-existing rights and rights of third parties**

When delivering the results, the contractor shall warrant that they are free of rights or claims from creators and third parties including in relation to pre-existing rights, for any use envisaged by the contracting authority. This does not concern the moral rights of natural persons.

The contractor shall establish to that effect a list of all pre-existing rights and rights of creators and third parties on the results of this FWC or parts thereof. This list shall be provided no later than the date of delivery of the final results.

In the result the contractor shall clearly point out all quotations of existing textual works. The complete reference should include as appropriate: name of the author, title of the work, date and place of publication, date of creation, address of publication on internet, number, volume and other information which allows the origin to be easily identified.

Upon request by the contracting authority, the contractor shall provide evidence of ownership or rights to use all the listed pre-existing rights and rights of third parties except for the rights owned by the Community.

This evidence may refer, inter alia, to rights to: parts of other documents, images, graphs, tables, data, software, technical inventions, know-how etc. (delivered in paper, electronic or other form), IT development tools, routines, subroutines and/or other programs ("background technology"), concepts, designs, installations or pieces of art, data, source or background materials or any other parts of external origin.

The evidence shall include, as appropriate:

- (a) the name and version number of a software product;
- (b) the full identification of the work and its author, developer, creator, translator, data entry person, graphic designer, publisher, editor, photographer, producer;
- (c) a copy of the licence to use the product or of the agreement granting the relevant rights to the contractor or a reference to this licence;
- (d) a copy of the agreement or extract from the employment contract granting the relevant rights to the contractor where parts of the results were created by its personnel;
- (e) the text of the disclaimer notice if any.

Provision of evidence does not release the contractor from its responsibilities in case it is found that it does not hold the necessary rights, regardless of when and by whom this fact was revealed.

The contractor also warrants that it possesses the relevant rights or powers to execute the transfer and that it has paid or has verified payment of all due fees including fees due to collecting societies, related to the final results.

#### **II.10.6 Creators**

By delivering the results the contractor warrants that the creators undertake not to oppose that their names be recalled when the results are presented to the public and confirms that the results can be divulged. Names of authors shall be recalled on request in the manner communicated by the contractor to the contracting authority.

The contractor shall obtain the consent of creators regarding the granting of the relevant rights and be ready to provide documentary evidence upon request.

#### **II.10.7 Persons appearing in photographs or films**

If natural, recognisable persons appear in a result or their voice is recorded the contractor shall submit a statement of these persons (or of the persons exercising parental authority in case of minors) where they give their permission for the described use of their image or voice on request by the contracting authority. This does not apply to persons whose permission is not required in line with the law of the country where photographs were taken, films shot or audio records made.

#### **II.10.8 Copyright for pre-existing rights**

When the contractor retains pre-existing rights on parts of the results, reference shall be inserted to that effect when the result is used as set out in Article I.8.1 with the following disclaimer: © - year – European Union. All rights reserved. Certain parts are licensed under conditions to the EU.

#### **II.10.9 Visibility of Union funding and disclaimer**

When making use of the results, the contractor shall declare that they have been produced within a contract with the Community and that the opinions expressed are those of the contractor only and do not represent the contracting authority's official position. The contracting authority may waive this obligation in writing.

### **ARTICLE II. 11 – FORCE MAJEURE**

**II.11.1** 'Force majeure' means any unforeseeable and exceptional situation or event beyond the parties' control which prevents either of them from fulfilling any of their obligations under the FWC, which was not attributable to error or negligence on their part or on the part of subcontractors and which proves to be inevitable in spite of exercising due diligence. Any default of a service, defect in equipment or material or delays in making them available, unless they stem directly from a relevant case of force majeure, as well as labour disputes, strikes or financial difficulties, cannot be invoked as force majeure.

**II.11.2** A party faced with force majeure shall formally notify the other party without delay, stating the nature, likely duration and foreseeable effects.

**II.11.3** The party faced with force majeure shall not be held in breach of its contractual obligations if it has been prevented from fulfilling them by force majeure. Where

the contractor is unable to fulfil its contractual obligations owing to force majeure, it shall have the right to remuneration only for the tasks actually executed.

**II.11.4** The parties shall take all the necessary measures to limit any damage due to force majeure.

## **ARTICLE II. 12 – LIQUIDATED DAMAGES**

The contracting authority may impose liquidated damages should the contractor fail to complete its contractual obligations, also with regard to the required quality level, according to the tender specifications.

Should the contractor fail to perform its contractual obligations within the time limits set by the FWC or the relevant order form or specific contract, then, without prejudice to the contractor's actual or potential liability or to the contracting authority's right to terminate the FWC or the relevant order form or specific contract, the contracting authority may impose liquidated damages for each and every calendar day of delay according to the following formula:

$$0.3 \times (V/d)$$

*V* is the price of the relevant purchase;

*d* is the duration specified in the relevant order form or specific contract or, failing that, the period between the date specified in Article I.4.1 and the date of delivery or performance specified in the relevant order form or specific contract, expressed in calendar days

The contractor may submit arguments against this decision within 30 days of receipt of the formal notification. In the absence of a reaction on its part or of written withdrawal by the contracting authority within 30 days of the receipt of such arguments, the decision imposing the liquidated damages shall become enforceable.

The parties expressly acknowledge and agree that any sums payable under this article are in the nature of liquidated damages and not penalties, and represent a reasonable estimate of fair compensation for the losses incurred due to failure to fulfil obligations which may be reasonably anticipated.

## **ARTICLE II. 13 – SUSPENSION OF THE PERFORMANCE OF THE FWC**

### **II.13.1 Suspension by the contractor**

The contractor may suspend the performance of the FWC or order form or specific contract or any part thereof if a case of force majeure makes such performance impossible or excessively difficult. The contractor shall inform the contracting authority about the suspension without delay, giving all the necessary reasons and details and the envisaged date for resuming the performance of the FWC, order form or specific contract.

Once the circumstances allow resuming performance, the contractor shall inform the contracting authority immediately, unless the contracting authority has already terminated the FWC, order form or specific contract.

### **II.13.2 Suspension by the contracting authority**

The contracting authority may suspend the performance of the FWC or order form or specific contract or any part thereof:

- (a) if the FWC or order form or specific contract award procedure or the performance of the FWC prove to have been subject to substantial errors, irregularities or fraud;
- (b) in order to verify whether presumed substantial errors, irregularities or fraud have actually occurred.

Suspension shall take effect on the day the contractor receives formal notification, or at a later date where the notification so provides. The contracting authority shall as soon as possible give notice to the contractor to resume the service suspended or inform the contractor that it is proceeding with termination of the FWC or order form or specific contract. The contractor shall not be entitled to claim compensation on account of suspension of the FWC or order form or specific contract or of part thereof.

## **ARTICLE II. 14 – TERMINATION OF THE FWC**

### **II.14.1 Grounds for termination**

The contracting authority may terminate the FWC, an order form or a specific contract respectively in the following circumstances:

- (a) if a change to the contractor's legal, financial, technical or organisational or ownership situation is likely to affect the performance of the FWC or order form or specific contract substantially or call into question the decision to award the FWC;
- (b) if execution of the tasks under a pending order form or a specific contract has not actually commenced within 15 days of the date foreseen, and the new date proposed, if any, is considered unacceptable by the contracting authority, taking into account article II.8.2;
- (c) if the contractor does not perform the FWC or an order form or specific contract as established in the tender specifications or request for service or fails to fulfil another substantial contractual obligation; termination of three or more order forms or specific contracts on this ground shall constitute ground for termination of the FWC;
- (d) in the event of force majeure notified in accordance with article II.11 or if the performance of the FWC or order form or specific contract has been suspended by the contractor as a result of force majeure, notified in accordance with article II.13, where either resuming performance is impossible or the modifications to the FWC or order form or specific contract might call into question the decision awarding the FWC or order form or specific contract, or result in unequal treatment of tenderers or contractors;
- (e) if the contractor is declared bankrupt, is being wound up, is having its affairs administered by the courts, has entered into an arrangement with creditors, has suspended business activities, is the subject of proceedings concerning those matters, or is in any analogous situation arising from a similar procedure provided for in national legislation or regulations;
- (f) if the contractor or any natural person with the power to represent it or take decisions on its behalf has been found guilty of professional misconduct proven by any means;
- (g) if the contractor is not in compliance with its obligations relating to the payment of social security contributions or the payment of taxes in accordance with the

legal provisions of the country in which it is established or with those of the country of the applicable law of this FWC or those of the country where the FWC is to be performed;

- (h) if the contracting authority has evidence that the contractor or any natural persons with the power to represent it or take decisions on its behalf have committed fraud, corruption, or are involved in a criminal organisation, money laundering or any other illegal activity detrimental to the Union's and Community's financial interests;
- (i) if the contracting authority has evidence that the contractor or any natural persons with the power to represent it or take decisions on its behalf have committed substantial errors, irregularities or fraud in the award procedure or the performance of the FWC, including in the event of submission of false information;
- (j) if the contractor is unable, through its own fault, to obtain any permit or licence required for performance of the FWC or order form or specific contract;
- (k) if the needs of the contracting authority change and it no longer requires new services under the FWC;
- (l) when due to the termination of the FWC with one or more of the contractors there is no minimum required competition within the multiple framework contract with reopening of competition.

#### **II.14.2 Procedure for termination**

When the contracting authority intends to terminate the FWC or order form or specific contract it shall formally notify the contractor of its intention specifying the grounds thereof. The contracting authority shall invite the contractor to make any observations and, in the case of point (c) of Article II.14.1, to inform the contracting authority about the measures taken to continue the fulfilment of its contractual obligations, within 30 days from receipt of the notification.

If the contracting authority does not confirm acceptance of these observations by giving written approval within 30 days of receipt, the termination procedure shall proceed. In any case of termination the contracting authority shall formally notify the contractor about its decision to terminate the FWC or order form or specific contract. In the cases referred to in points (a), (b), (c), (e), (g), (j), (k) and (l) of Article II.14.1 the formal notification shall specify the date on which the termination takes effect. In the cases referred to in points (d), (f), (h), and (i) of Article II.14.1 the termination shall take effect on the day following the date on which notification of termination is received by the contractor.

#### **II.14.3 Effects of termination**

In the event of termination, the contractor shall waive any claim for consequential damages, including any loss of anticipated profits for uncompleted work. On receipt of the notification of termination, the contractor shall take all the appropriate measures to minimise costs, prevent damages, and cancel or reduce its commitments. The contractor shall have 60 days from the date of termination to draw up the documents required by the special conditions or order forms or specific contracts for the tasks already executed on the date of termination and produce an invoice if necessary. The contracting authority may recover any amounts paid under the FWC.

The contracting authority may claim compensation for any damage suffered in the event of termination.

On termination the contracting authority may engage any other contractor to execute or complete the services. The contracting authority shall be entitled to claim from the contractor all extra costs incurred in this regard, without prejudice to any other rights or guarantees it may have under the FWC.

## **ARTICLE II. 15 – REPORTING AND PAYMENTS**

### **II.15.1 Date of payment**

Payments shall be deemed to be effected on the date when they are debited to the contracting authority's account.

### **II.15.2 Currency**

The FWC shall be in euros.

Payments shall be executed in euros or in the local currency as provided for in Article I.5.

Conversion between the euro and another currency shall be made according to the daily euro exchange rate published in the *Official Journal of the European Union* or, failing that, at the monthly accounting exchange rate established by the European Commission and published on its website, applicable on the day on which the payment order is issued by the contracting authority.

### **II.15.3 Costs of transfer**

The costs of the transfer shall be borne in the following way:

- (a) costs of dispatch charged by the bank of the contracting authority shall be borne by the contracting authority,
- (b) cost of receipt charged by the bank of the contractor shall be borne by the contractor,
- (c) costs for repeated transfer caused by one of the parties shall be borne by the party causing repetition of the transfer.

### **II.15.4 Invoices and Value Added Tax**

Invoices shall contain the contractor's identification, the amount, the currency and the date, as well as the FWC reference and reference to the order form or specific contract.

Invoices shall indicate the place of taxation of the contractor for value added tax (VAT) purposes and shall specify separately the amounts not including VAT and the amounts including VAT.

The contracting authority is, as a rule, exempt from all taxes and duties, including VAT, pursuant to the provisions of Articles 3 and 4 of the Protocol on the Privileges and Immunities of the European Union.

The contractor shall accordingly complete the necessary formalities with the relevant authorities to ensure that the supplies and services required for performance of the FWC are exempt from taxes and duties, including VAT exemption.

### **II.15.5 Pre-financing and performance guarantees**

Pre-financing guarantees shall remain in force until the pre-financing is cleared against interim payments or payment of the balance and, in case the latter takes the form of a debit



note, three months after the debit note is notified to the contractor. The contracting authority shall release the guarantee within the following month.

Performance guarantees shall cover performance of the service in accordance with the terms set out in the request for services until its final acceptance by the contracting authority. The amount of the performance guarantee shall not exceed the total price of the order form or specific contract. The guarantee shall provide that it remains in force until final acceptance. The contracting authority shall release the guarantee within a month following the date of final acceptance.

Where, in accordance with Article I.4, a financial guarantee is required for the payment of pre-financing, or as performance guarantee, it shall fulfil the following conditions:

- (a) the financial guarantee is provided by a bank or an approved financial institution or, at the request of the contractor and agreement by the contracting authority, by a third party;
- (b) the guarantor stands as first-call guarantor and does not require the contracting authority to have recourse against the principal debtor (the contractor).

The cost of providing such guarantee shall be borne by the contractor.

#### **II.15.6 Interim payments and payment of the balance**

The contractor shall submit an invoice for interim payment upon delivery of intermediary results, accompanied by a progress report or any other documents, as provided for in Article I.4 or in the tender specifications or in the order form or specific contract.

The contractor shall submit an invoice for payment of the balance within 60 days following the end of the period referred to in Article III.2.2, accompanied by a final progress report or any other documents provided for in Article I.4 or in the tender specifications or in the order form or specific contract.

Upon receipt, the contracting authority shall pay the amount due as interim or final payment, within the periods specified in Article I.4, provided the invoice and documents have been approved and without prejudice to Article II.15.7. Approval of the invoice and documents shall not imply recognition of the regularity or of the authenticity, completeness and correctness of the declarations and information they contain.

Payment of the balance may take the form of recovery.

#### **II.15.7 Suspension of the time allowed for payment**

The contracting authority may suspend the payment periods specified in Article I.4 at any time by notifying the contractor that its invoice cannot be processed, either because it does not comply with the provisions of the FWC, or because the appropriate documents have not been produced.

The contracting authority shall inform the contractor in writing as soon as possible of any such suspension, giving the reasons for it.

Suspension shall take effect on the date the notification is sent by the contracting authority. The remaining payment period shall start to run again from the date on which the requested information or revised documents are received or the necessary further verification, including on-the-spot checks, is carried out. Where the suspension period exceeds two months, the contractor may request the contracting authority to justify the continued suspension.

Where the payment periods have been suspended following rejection of a document referred to in the first paragraph and the new document produced is also rejected, the contracting authority reserves the right to terminate the order form or specific contract in accordance with Article II.14.1(c).

### **II.15.8 Interest on late payment**

On expiry of the payment periods specified in Article I.4, and without prejudice to Article II.15.7, the contractor is entitled to interest on late payment at the rate applied by the European Central Bank for its main refinancing operations in Euros (the reference rate) plus eight points. The reference rate shall be the rate in force on the first day of the month in which the payment period ends, as published in the C series of the *Official Journal of the European Union*.

The suspension of the payment period in accordance with Article II.15.7 may not be considered as a late payment.

Interest on late payment shall cover the period running from the day following the due date for payment up to and including the date of actual payment as defined in Article II.15.1.

However, when the calculated interest is lower than or equal to EUR 200, it shall be paid to the contractor only upon request submitted within two months of receiving late payment.

## **ARTICLE II. 16 - REIMBURSEMENTS**

**II.16.1** Where provided by the special conditions or by the tender specifications, the contracting authority shall reimburse the expenses that are directly connected with execution of the tasks on production of original supporting documents, including receipts and used tickets, or failing that, on production of copies or scanned originals, or on the basis of flat rates.

**II.16.2** Travel and subsistence expenses shall be reimbursed, where appropriate, on the basis of the shortest itinerary and the minimum number of nights necessary for overnight stay at the destination.

**II.16.3** Travel expenses shall be reimbursed as follows:

- (a) travel by air shall be reimbursed up to the maximum cost of an economy class ticket at the time of the reservation;
- (b) travel by boat or rail shall be reimbursed up to the maximum cost of a first class ticket;
- (c) travel by car shall be reimbursed at the rate of one first class rail ticket for the same journey and on the same day;

In addition, travel outside Community territory shall be reimbursed provided the contracting authority has given its prior written consent.

**II.16.4** Subsistence expenses shall be reimbursed on the basis of a daily subsistence allowance as follows:

- (a) for journeys of less than 200 km for a return trip, no subsistence allowance shall be payable;

- (b) daily subsistence allowance shall be payable only on receipt of supporting documents proving that the person concerned was present at the destination;
- (c) daily subsistence allowance shall take the form of a flat-rate payment to cover all subsistence expenses, including meals, local transport which includes transport to and from the airport or station, insurance and sundries;
- (d) daily subsistence allowance shall be reimbursed at the flat rates specified in Article I.3;
- (e) accommodation shall be reimbursed on receipt of supporting documents proving the necessary overnight stay at the destination, up to the flat-rate ceilings specified in Article I.3.

**II.16.5** The cost of shipment of equipment or unaccompanied luggage shall be reimbursed provided the contracting authority has given prior written authorisation.

**II.16.6.** Conversion between the euro and another currency shall be made as specified in Article II.15.2.

## **ARTICLE II. 17 – RECOVERY**

**II.17.1** If an amount is to be recovered under the terms of the FWC, the contractor shall repay the contracting authority the amount in question according to the terms and by the date specified in the debit note.

**II.17.2** If the obligation to pay the amount due is not honoured by the date set by the contracting authority in the debit note, the amount due shall bear interest at the rate indicated in Article II.15.8. Interest on late payments shall cover the period from the day following the due date for payment up to and including the date when the contracting authority receives the full amount owed.

Any partial payment shall first be entered against charges and interest on late payment and then against the principal amount.

**II.17.3** If payment has not been made by the due date, the contracting authority may, after informing the contractor in writing, recover the amounts due by offsetting them against any amounts owed to the contractor by the Union or by the European Atomic Energy Community or by calling in the financial guarantee, where provided for in Article I.4 or in the specific contract.

## **ARTICLE II. 18 – CHECKS AND AUDITS**

**II.18.1** The contracting authority and the European Anti-Fraud Office may check or have an audit on the performance of the FWC. It may be carried out either directly by its own staff or by any other outside body authorised to do so on its behalf.

Such checks and audits may be initiated during the performance of the FWC and during a period of five years which starts running from the date of expiry of the FWC.

The audit procedure shall be deemed to be initiated on the date of receipt of the relevant letter sent by the contracting authority. Audits shall be carried out on a confidential basis.

- II.18.2** The contractor shall keep all original documents stored on any appropriate medium, including digitised originals when they are authorised by national law and under the conditions laid down therein, for a period of five years which starts running from the date of expiry of the FWC.
- II.18.3** The contractor shall allow the contracting authority's staff and outside personnel authorised by the contracting authority the appropriate right of access to sites and premises where the FWC is performed and to all the information, including information in electronic format, needed in order to conduct such checks and audits. The contractor shall ensure that the information is readily available at the moment of the check or audit and, if so requested, that information be handed over in an appropriate form.
- II.18.4** On the basis of the findings made during the audit, a provisional report shall be drawn up. It shall be sent to the contractor, which shall have 30 days following the date of receipt to submit observations. The final report shall be sent to the contractor within 60 days following the expiry of that deadline.


On the basis of the final audit findings, the contracting authority may recover all or part of the payments made and may take any other measures which it considers necessary.

- II.18.5** By virtue of Council Regulation (Euratom, EC) No 2185/96 of 11 November 1996 concerning on-the-spot checks and inspection carried out by the Commission in order to protect the European Communities' financial interests against fraud and other irregularities and Regulation (EC) No 1073/1999 of the European Parliament and the Council of 25 May 1999 concerning investigation conducted by the European Anti-Fraud Office (OLAF), the OLAF may also carry out on-the-spot checks and inspections in accordance with the procedures laid down by Community and Union law for the protection of the financial interests of the Community against fraud and other irregularities. Where appropriate, the findings may lead to recovery by the contracting authority.
- II.18.6** The Court of Auditors shall have the same rights as the contracting authority, notably right of access, for the purpose of checks and audits.

**Annex I –** Tender specifications (reference No [complete] of [insert date])

**Annex II** – Contractor's tender (reference No [complete] of [insert date])

**Annex III – Purchase order**

 <b>EUROPEAN COMMISSION</b>		<b>FRAMEWORK CONTRACT ORDER FORM</b>			
DG and unit:  Tel.:  E-mail:	Order number:	(Name and address of contractor)			
	Currency of payment: EUR				
	Offer (date and reference):				
This order is governed by the provisions of Framework Contract No. _____ in force from _____ to _____					
<b>LISTING OF THE SUPPLIES / SERVICES</b> and code		UNIT	QUANTITY	PRICE in €	
				UNIT PRICE	TOTAL
-					
-					
Pursuant to the provisions of Articles 3 and 4 of the Protocol on the Privileges and Immunities of the European Union, the Commission is exempt from all taxes and dues, including value added tax, on payments due in respect of this contract. For intra-community purchases, the mention "VAT Exemption / European Union / Article 151 of Council Directive 2006/112/EC" should be added on the invoice. [In Belgium, use of this contract constitutes a request for VAT exemption No. 450, VAT exemption article 42, paragraph 3.3 of the VAT code (circular 2/1978), provided the invoice includes: "Commande destinée à l'usage officiel de l'Union Européenne, Exonération de la TVA; art. 42 § 3.3 du code TVA (circulaire n° 2/1978)".]		Packaging Insurance Transport Assembly VAT			
		<b>TOTAL :</b>			
Place of delivery or performance and/or Incoterm: Final date of delivery or performance: Terms of payment:  Guarantee:		<b>Contractor's signature</b>  Name: Position: Date:			
Date of issue: Signature [name and position] [and for Belgium, Commission stamp]: [For Belgium, numéro de dossier auprès du Protocole du SPF Affaires Etrangères] The invoice shall be paid only if the contractor has returned the signed order form.					

**Annex IV - Record of Technical Acceptance**

**RECORD OF TECHNICAL ACCEPTANCE**

Contract reference: **ENER/xx/NUCL/SI2xxxxx**

Contract subject: **xxxxxxx**

The technical approval related to the above mentioned contract has taken place at **DG ENER Luxembourg HQ on xxxx 201x**

This technical approval was:

- a complete technical approval
- a partial technical approval as described below:

and was concluded:

- without any remarks
- with the following remarks:

Nr.	Remark	Date for final approval
		xxx

- If partial technical approval, please confirm if the total delivery is thus technically accepted:      Yes or No

	For the Contractor (if present)	For European Commission (technical responsible)
Date		xxxx
Name		xxxx
Signature		

Copies (to be sent by the technical responsible): *Mr Cluzeau, xxx, xxx,*



**Annex V -** Written request for mechanical services



EUROPEAN COMMISSION  
 DIRECTORATE-GENERAL FOR ENERGY  
 DIRECTORATE E - Nuclear Safeguards  
 E.1 - Design, planning & evaluation of inspections; logistical support

---

**FAX**

---

<b>To:</b>	..... ..... ..... ..... .....	<b>Telephone:</b>	.....
		<b>Fax:</b>	.....
<b>From:</b>	..... ..... .....	<b>Telephone:</b>	.....
		<b>Fax:</b>	.....
<b>Number of pages:</b>	.....		

---

**Subject:**                    **Call for Offer within the Framework Contract no. ....**

---

Dear Sir,

Please submit to us your best offer by fax, within 21 calendar days from the date of sending of this fax, for technical specification:

.....

The offer should be drawn up on the following basis:

- The quotations will be required to show the number of hours of each category to be used, the cost of materials, the total cost to carry out the work.
- be expressed in Euro (€), excluding VAT,
- be calculated on a delivery free-to-our-address basis,
- it should be calculated with regard to the fact that, under the provisions of the Protocol and Privileges and Immunities in annex to the Treaty of 8 April 1965 establishing a single Council and a single Commission of the European Communities, the Commission is exempt from all duties and taxes.

The offer should have a validity of **180 days** and also indicate the VAT number.

More information can be collected from ..... (e-mail ....., phone n<sup>o</sup>: .....

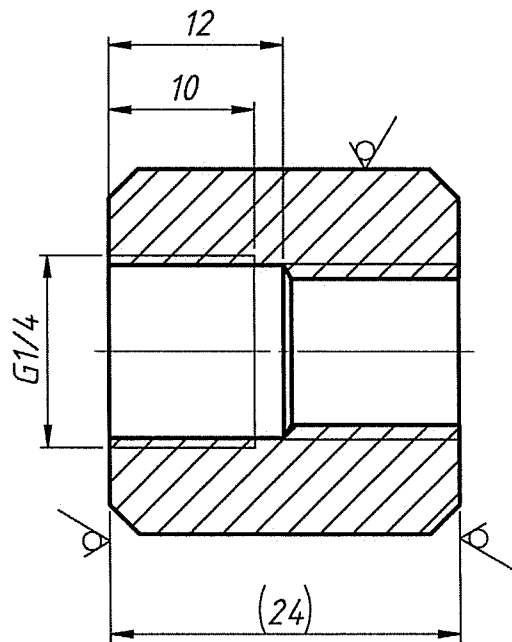
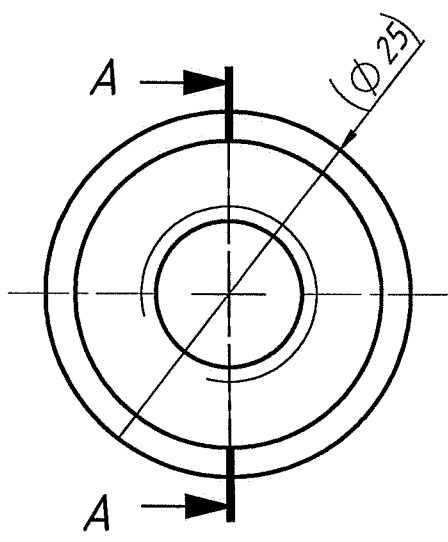
Yours faithfully,

.....  
 Head of Sector

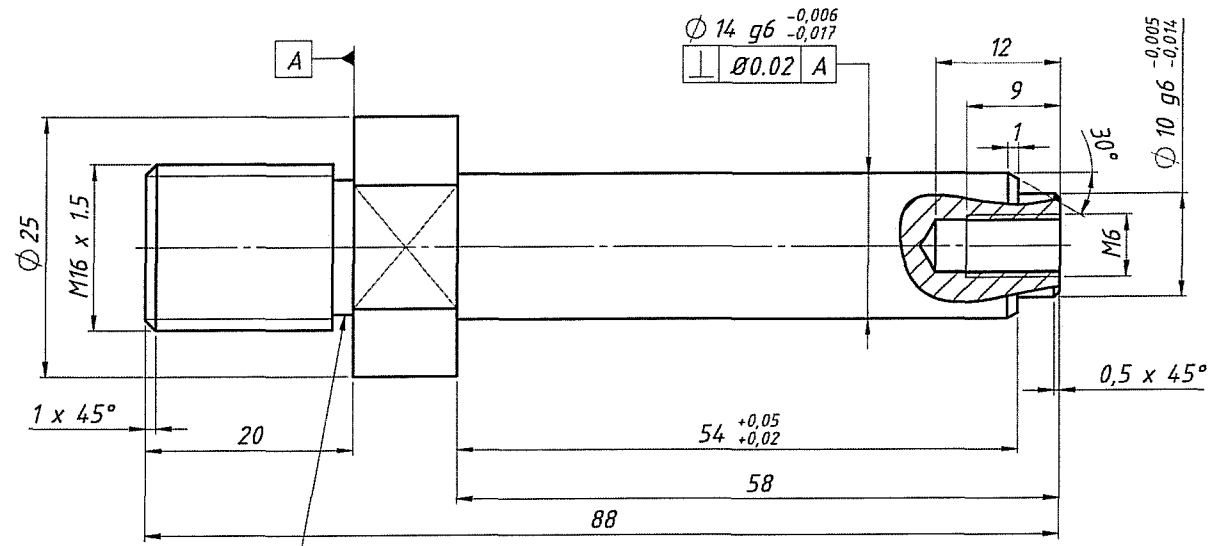
.....  
 Head of Unit

# ANNEX 5

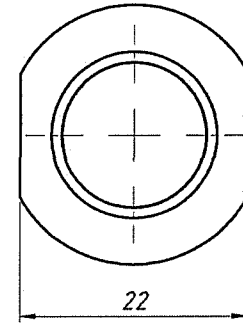
## Examples of Technical Projects



SECTION A-A



Freistich nach DIN 76-A





### **Project -1**

Material: 1.4301

Nut

Nr of pieces: 5

All edges should be rounded to +/-1mm

Tolerances are 0,1mm unless otherwise stated

### **Project-2**

Material: 1.4541

Axe

Nr of pieces: 10

All edges should be rounded to +/-1mm

Tolerances are 0,1mm unless otherwise stated

### **Project-3**

Material: 1.4541

Flange

Nr of pieces: 2

All edges should be rounded to +/-1mm

Tolerances are 0,1mm unless otherwise stated

### **Other materials that might be used in our projects are:**

Cr/Ni; High-density polyethylene (HDPE); lead; cadmium, Plexiglas

# **NGSS- UW-Camera Housing**



**IAEA**

International Atomic Energy Agency

*DEPARTMENT OF SAFEGUARDS*

*TUS – Unattended System Section*

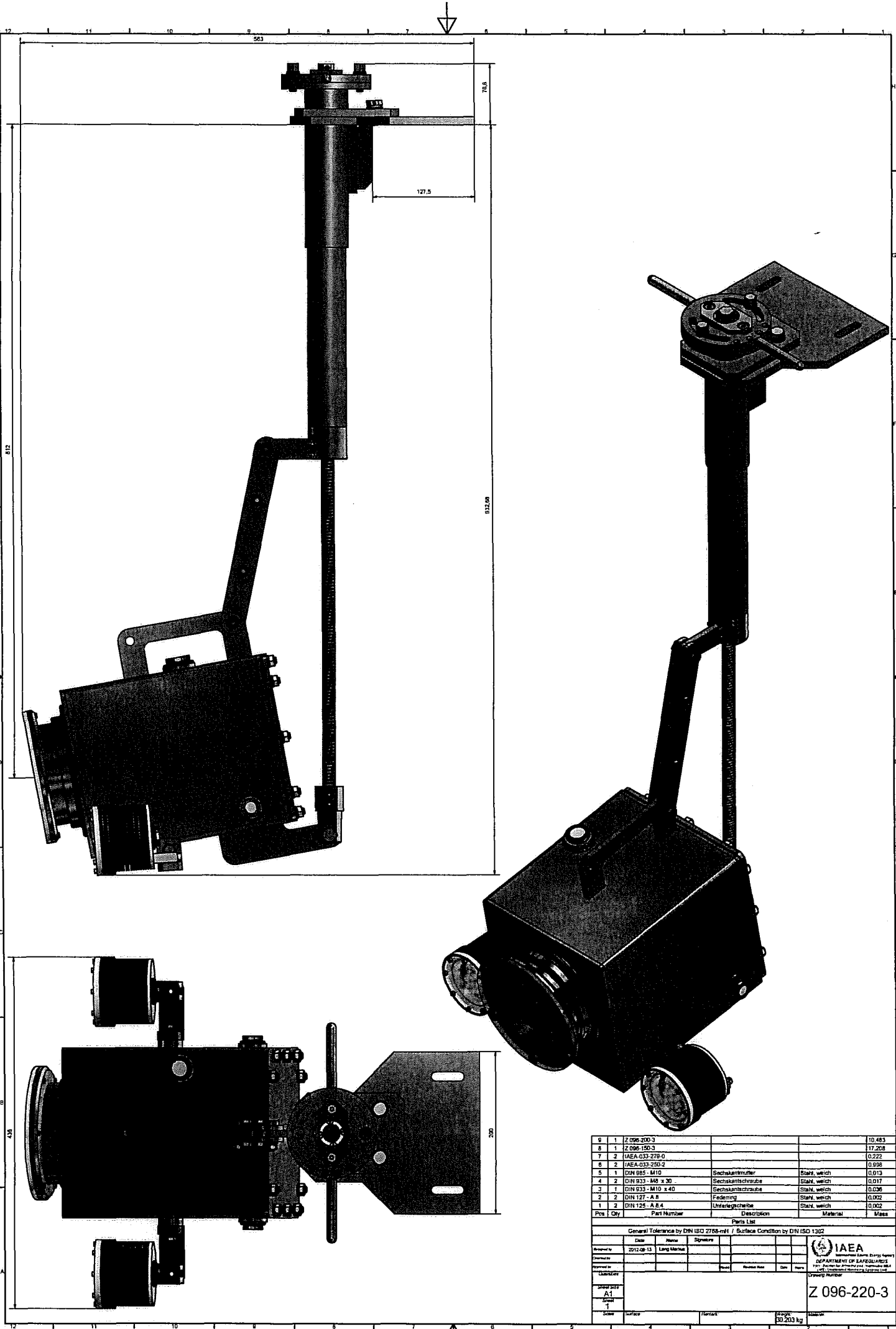
*UMS – Unattended Monitoring System Unit*

## **PARTS LIST NGSS UW-Housing**

<b>Objekt</b>	<b>Bauteilnummer</b>	<b>ANZAHL</b>	<b>Beschreibung</b>
	<b>Z 096-150-3</b>		
1.1	E 096-117-1	1	
1.2	E 096-123-1	1	
1.3	E 096-132-2	1	
1.4	E 096-141-2	1	
1.5	E 096-143-2	1	
1.6	O-Ring 2-158	1	
1.7	O-Ring 2-160	1	
1.8	O-Ring 2-161	1	
1.9	O-Ring 2-163	1	
1.10	<b>Z 096-100-1</b>	1	
1.10.1	E 096-101-2	1	
1.10.2	E 096-102-1	1	
1.10.3	E 096-103-1	1	
1.10.4	E 096-119-1	4	
1.11	<b>Z 096-110-3</b>	1	
1.11.1	E 096-112-3	1	
1.11.2	E 096-113-1	1	
1.11.3	E 096-115-1	1	
1.11.4	E 096-116-1	2	
1.11.5	E 096-126-1	12	
1.11.6	E 096-131-1	1	
1.11.7	E 096-229-1	1	
1.11.8	E 096-232-1	2	
1.11.9	<b>Z 096-130-1</b>	1	
1.11.9.1	E 096-114-1	1	
1.11.9.2	E 096-128-2	1	
1.11.9.3	E 096-128-3	2	
	<b>Z 096-200-3</b>		
2.1	E 096-204-3	1	
2.2	E 096-216-1	2	
2.3	E 096-217-1	2	
2.4	E 096-237-1	2	
2.5	E 096-238-1	2	
2.6	E 096-244-1	1	
2.7	E 096-246-1	1	
2.8	E 096-251-1	1	
2.9	E 096-252-1	1	
2.10	<b>Z 096-205-3</b>	1	
2.10.1	E 096-201-3	1	
2.10.2	E 096-202-3	1	
2.10.3	E 096-209-3	1	
2.10.4	E 096-211-1	2	
2.11	<b>Z 096-215-1</b>	1	
2.11.1	E 096-206-1	1	
2.11.2	E 096-207-1	1	



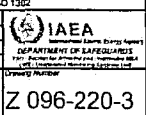
2.11.3	E 096-208-1	1	
2.12	<b>Z 096-230-3</b>	1	
2.12.1	E 096-231-3	1	
2.12.2	E 096-245-1	1	
2.13	<b>Z 096-235-1</b>	1	
2.13.1	E 096-218-1	1	
2.13.2	E 096-226-1	1	
2.13.3	E 096-227-1	1	
2.14	<b>Z 096-250-1</b>	1	
2.14.1	E 096-236-3	1	
2.14.2	E 096-247-1	1	
2.14.3	<b>Z 096-225-3</b>	1	
2.14.3.1	E 096-221-3	1	
2.14.3.2	E 096-222-3	1	
2.14.3.3	E 096-223-3	1	



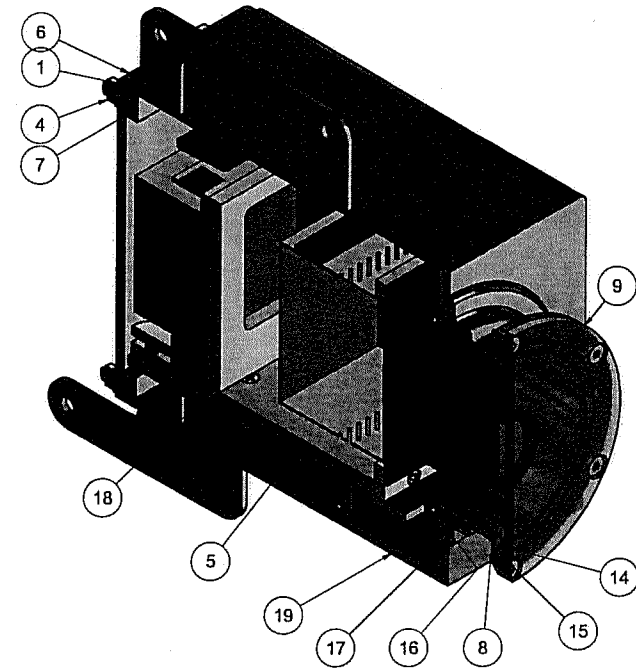
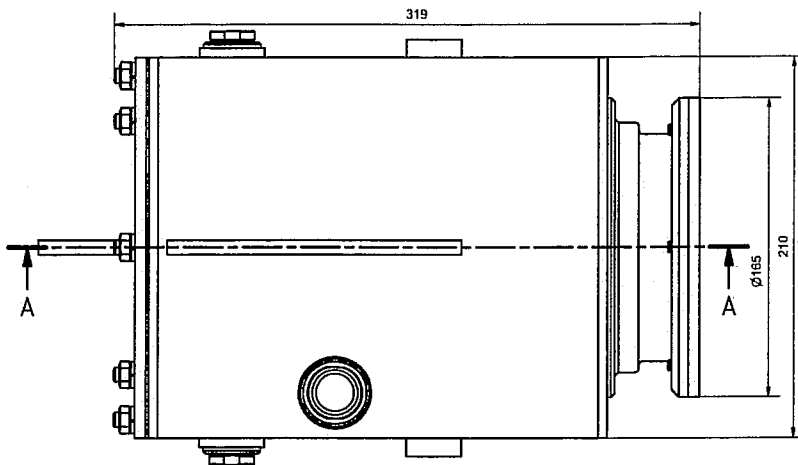
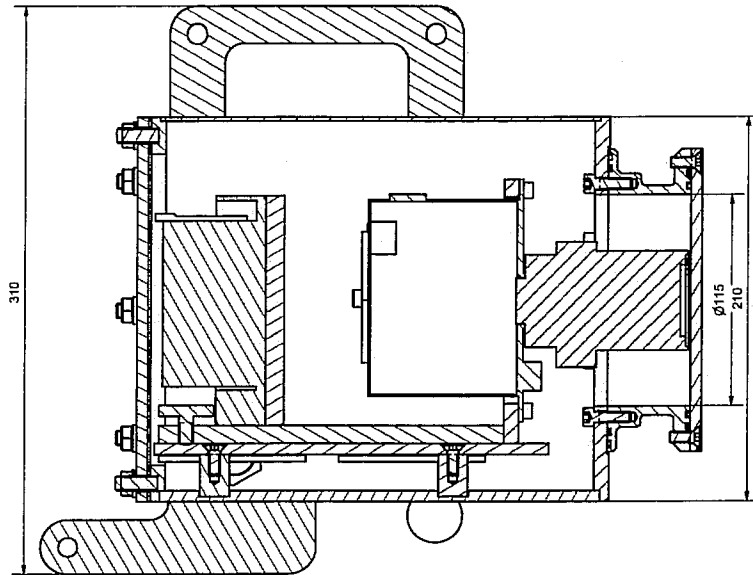
Pos	Qty	Part Number	Description	Material	Mass
9	1	Z 096-220-3			10.483
8	1	Z 096-150-3			17.208
7	2	IAEA-033-279-0			0.222
6	2	IAEA-033-250-2			0.998
5	1	DIN 985 - M10	Sechskantmutter	Stahl, weich	0.013
4	2	DIN 933 - M8 x 30	Sechskantschraube	Stahl, weich	0.017
3	1	DIN 933 - M10 x 40	Sechskantschraube	Stahl, weich	0.036
2	2	DIN 127 - A 8	Federling	Stahl, weich	0.002
1	2	DIN 125 - A 8.4	Unterlegscheibe	Stahl, weich	0.002

Parts List					
Author	Editor	Checker	Approver	Date	Version
General Tolerances by DIN ISO 2768-mS / Surface Condition by DIN ISO 1302					
Document No.	2012-08-13	Lang-Markus			
Contract No.					
Customer					
Order No.					
Order Part	Z 096-220-3				
Scale	Surface	Horizontal	Vertical	Weight	130.203 kg




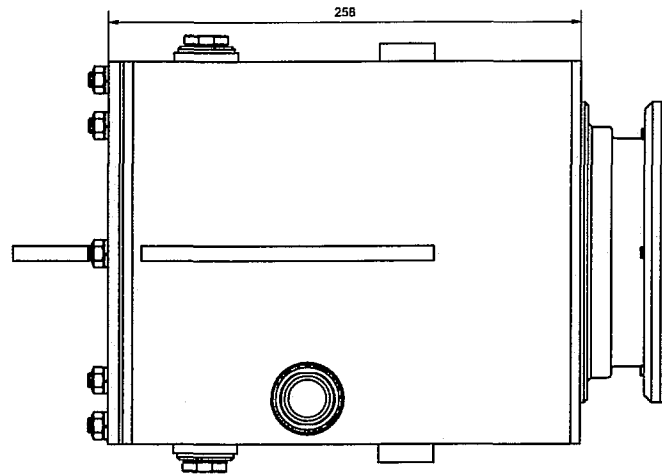
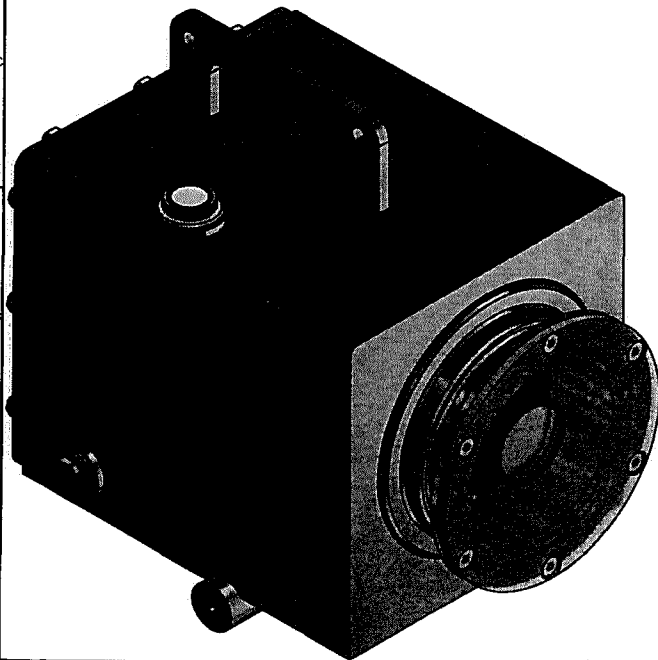
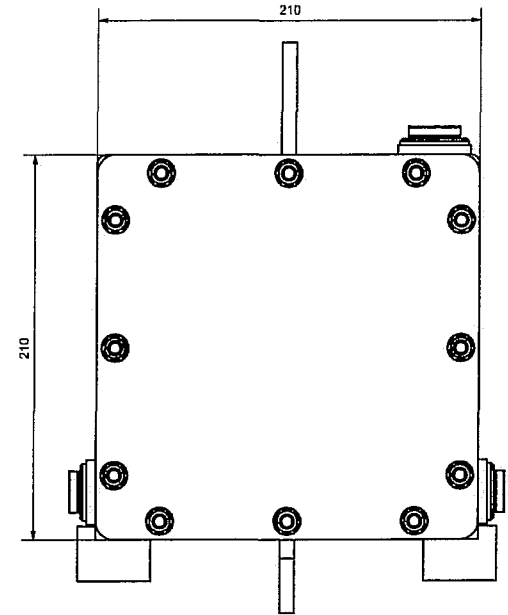
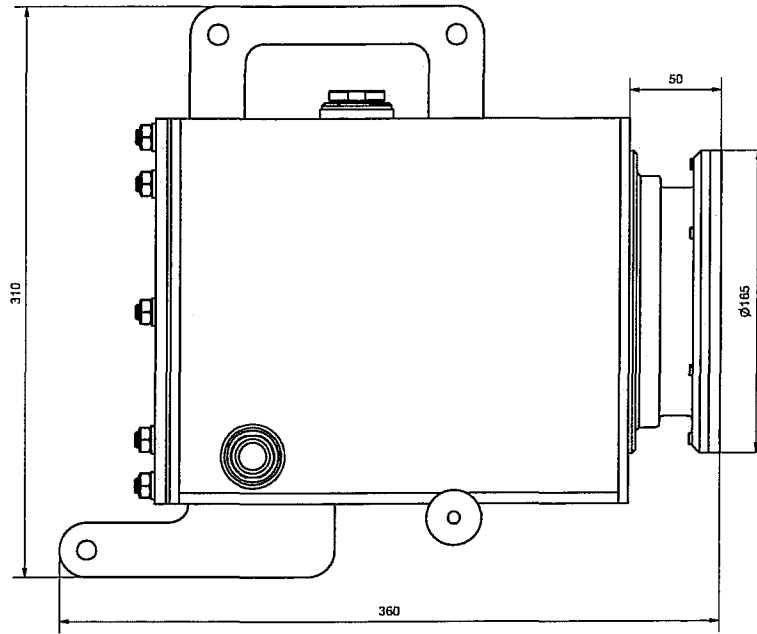
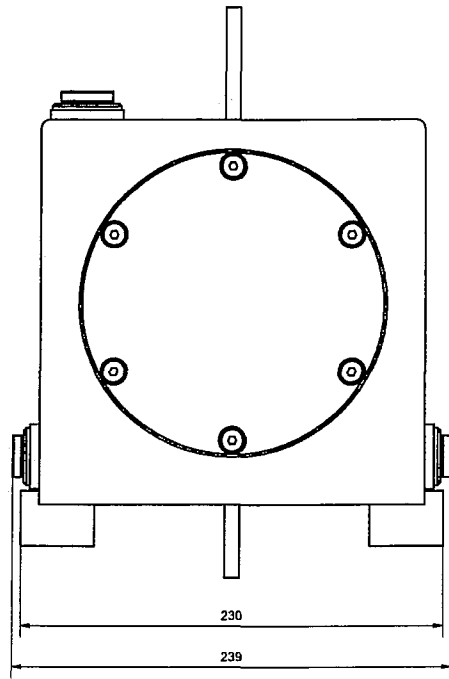
A-A (1:2)




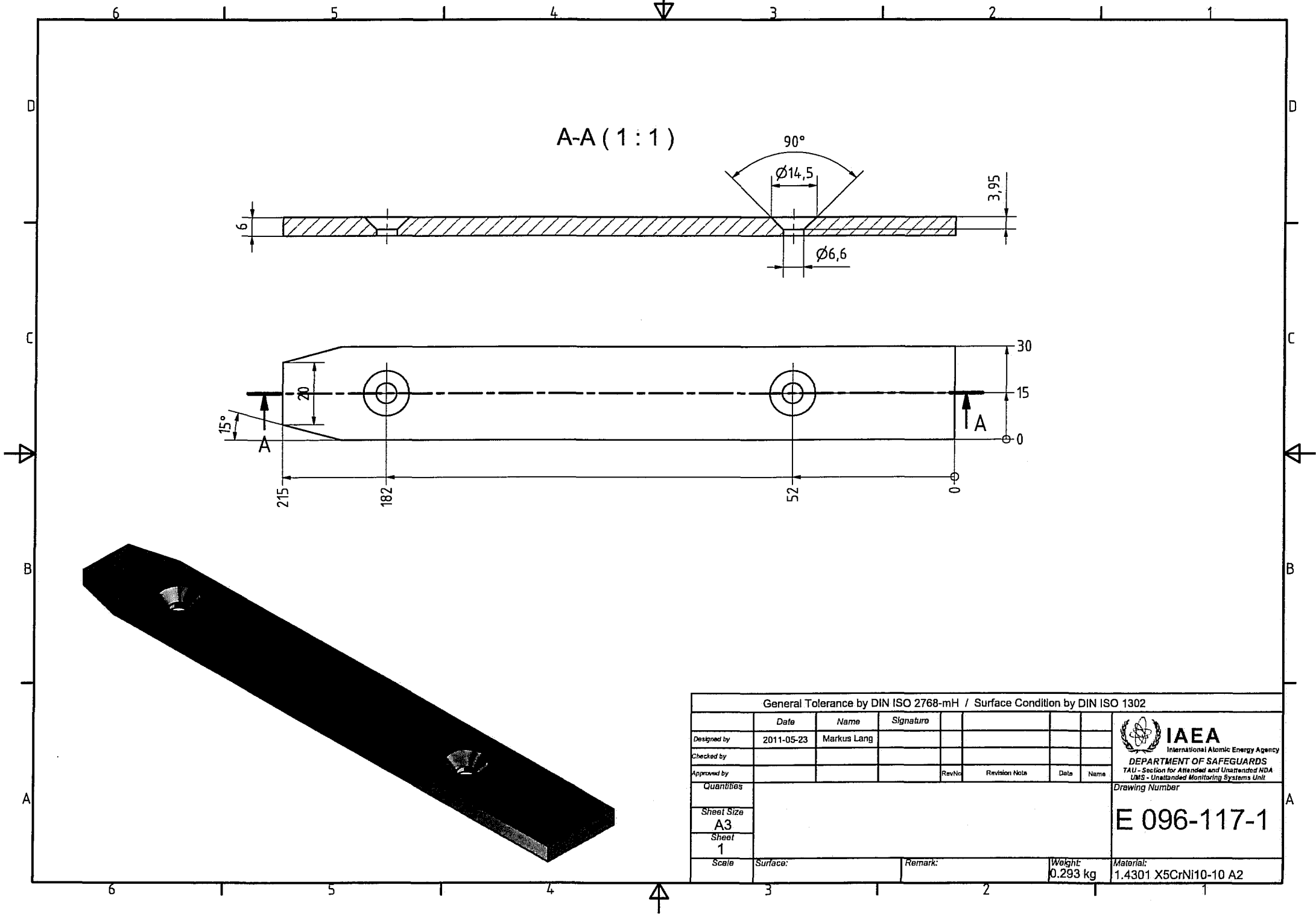
Pos	Qty	Part Number	Description	Material	Mass
19	1	Z 096-110-3			6,760
18	1	Z 096-100-1			3,914
17	1	O-Ring 2-163		Gummi	0,002
16	1	O-Ring 2-161		Gummi	0,002
15	1	O-Ring 2-160		Gummi	0,002
14	1	O-Ring 2-158		Gummi	0,002
13	1	Lemo EVP 4V NUT		Allgemein	0,003
12	1	Lemo EVP 4V		Allgemein	0,022
11	2	Lemo EVP 3V NUT		Allgemein	0,002
10	2	Lemo EVP 3V		Allgemein	0,013
9	1	E 096-143-2		Polycarbonat (klar)	0,151
8	1	E 096-141-2		1.4301 X5CrNi10-10 A2	1,786
7	1	E 096-132-2		KLINGERSIL C-4400	0,022
6	1	E 096-123-1		1.4301 X5CrNi10-10 A2	2,040
5	1	E 096-117-1		1.4301 X5CrNi10-10 A2	0,293
4	12	DIN 934 - M8	Sechskantmutter	1.4301 X5CrNi10-10 A2	0,005
3	6	DIN 912 - M6 x 20	Zylinderkopfschraube	1.4301 X5CrNi10-10 A2	0,007
2	8	DIN 7991 - M6x16	Senkschrauben mit lskt.	1.4301 X5CrNi10-10 A2	0,004
1	12	DIN 127 - A 8	Federling	1.4301 X5CrNi10-10 A2	0,002

Parts List					
General Tolerance by DIN ISO 2768-mH / Surface Condition by DIN ISO 1302					
Date	Name	Signature	Part No.	Revision No.	Date
2012-01-26	Markus Lang				
Designed by	Markus Lang				
Checked by					
Approved by					
Libraries					
Sheet Size	A2				
Sheet	1				
Scale	Surface:	Remark:	Weight:	Material:	
			17,194 kg		


**IAEA**  
 International Atomic Energy Agency  
 DEPARTMENT OF SAFEGUARDS  
 IAEA - Einheit für Atomrecht und Unfallschutz IIR-4  
 IAEA - Einheit für Atomrecht und Unfallschutz IIR-4  
 Drawing Number  
**Z 096-150-3**

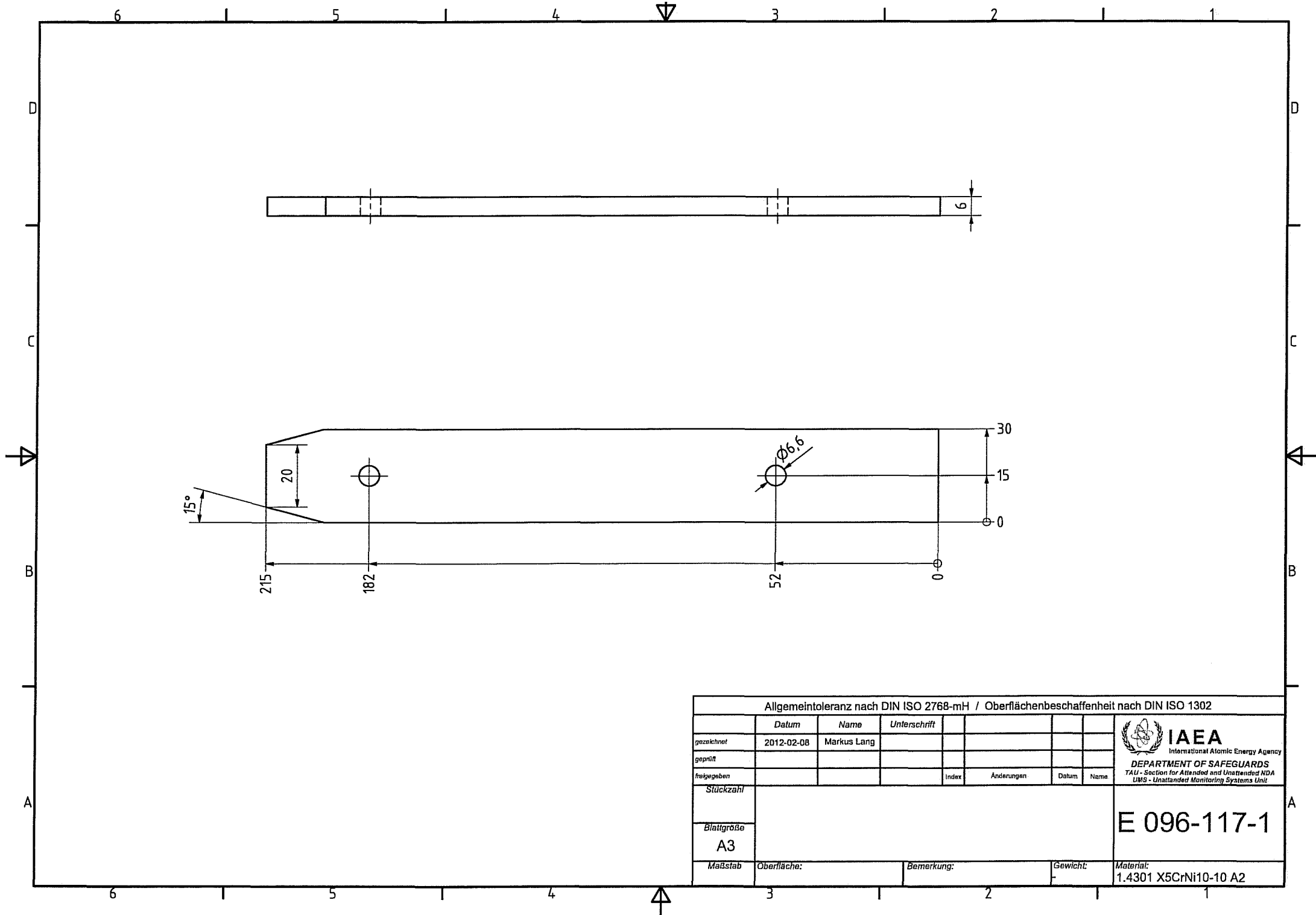



General Tolerance by DIN ISO 2768-mH / Surface Condition by DIN ISO 1302							
Date	Name	Signature					
2012-01-26	Markus Lang						
Designed by							
Checked by							
Approved by							
Drawn by							
Checked by							
Approved by							
Quantity							
Sheet Size	A2						 <b>IAEA</b> International Atomic Energy Agency DEPARTMENT OF SAFEGUARDS TAU - Section for Assured and Unassured NDA EMS - Embedded Monitoring Systems Unit
Sheet	2						
Scale							
Surface:			Remark:			Weight:	17,202 kg
						Makers:	
						Drawing Number	Z 096-150-3



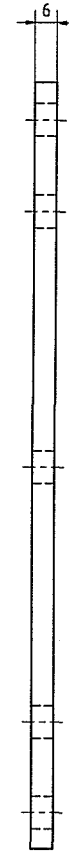
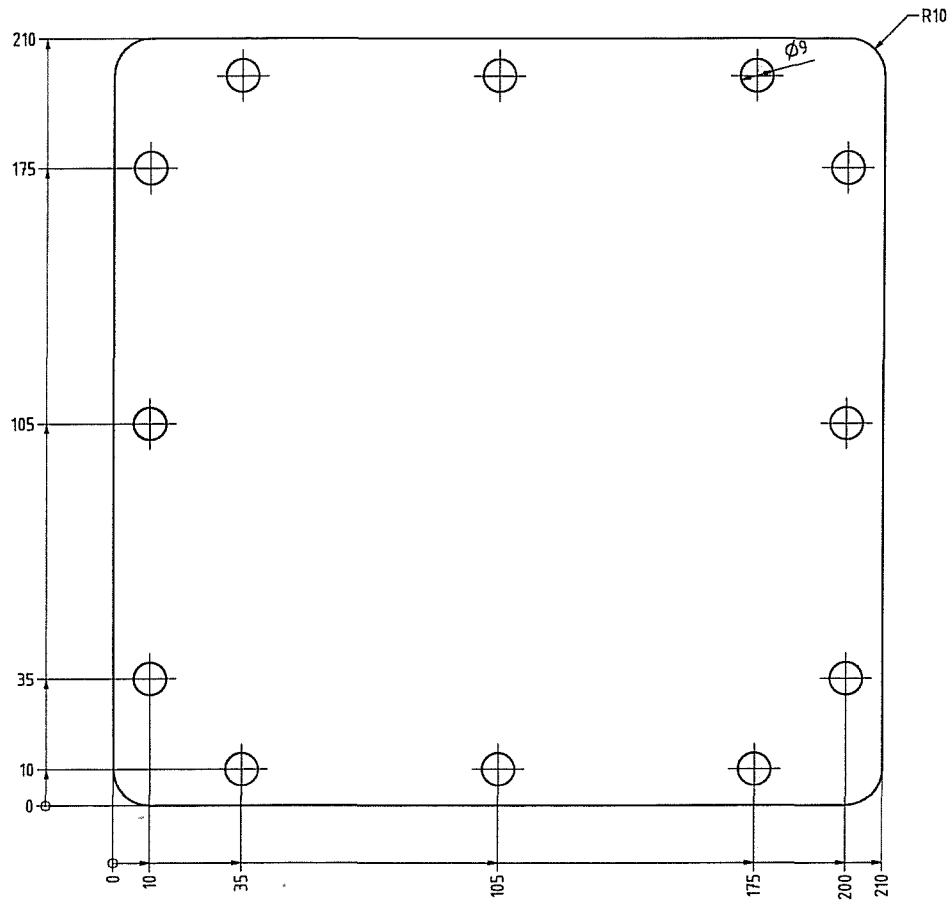
General Tolerance by DIN ISO 2768-mH / Surface Condition by DIN ISO 1302								
	Date	Name	Signature					
Designed by	2011-05-23	Markus Lang						
Checked by								
Approved by				RevNo	Revision Note	Date	Name	
Quantities							Drawing Number	
Sheet Size							E 096-117-1	
A3								
Sheet 1								
Scale	Surface:	Remark:			Weight	Material:		
					0.293 kg	1.4301 X5CrNi10-10 A2		


**IAEA**  
 International Atomic Energy Agency  
**DEPARTMENT OF SAFEGUARDS**  
 TAU - Section for Attended and Unattended NDA  
 UMS - Unattended Monitoring Systems Unit



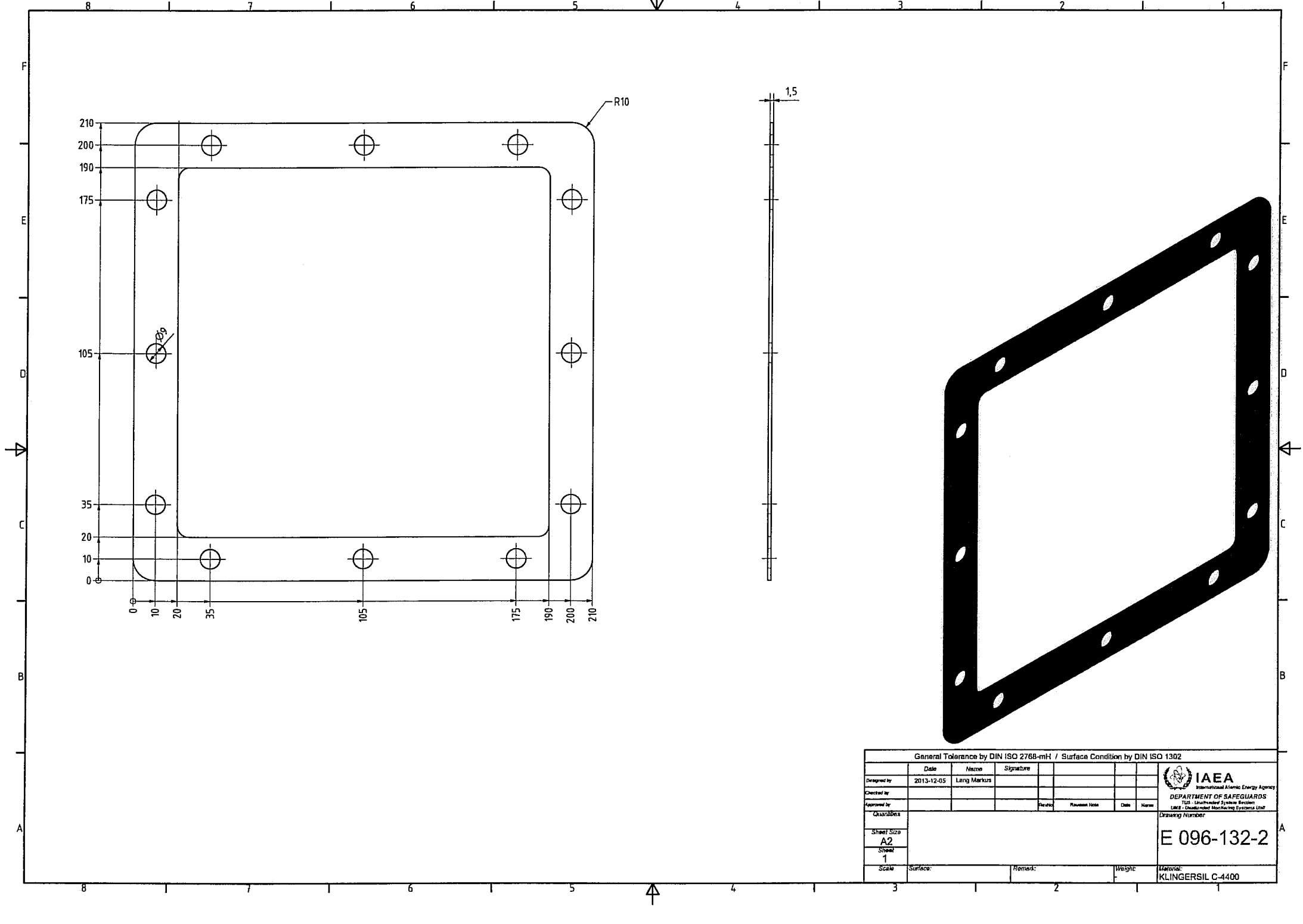
Allgemeintoleranz nach DIN ISO 2768-mH / Oberflächenbeschaffenheit nach DIN ISO 1302							
	Datum	Name	Unterschrift				
gezeichnet	2012-02-08	Markus Lang					
geprüft							
freigegeben				Index	Änderungen	Datum	Name
Stückzahl							 <b>IAEA</b> International Atomic Energy Agency <b>DEPARTMENT OF SAFEGUARDS</b> TAU - Section for Attended and Unattended NDA UMS - Unattended Monitoring Systems Unit
Blattgröße							
A3							
Maßstab	Oberfläche:		Bemerkung:		Gewicht:		Material:
							1.4301 X5CrNi10-10 A2

**E 096-117-1**



General Tolerance by DIN ISO 2768-mH / Surface Condition by DIN ISO 1302									
	Date	Name	Signature						
Designed by	2011-05-23	Markus Lang							
Checked by									
Approved by				RevNo	Revision Note	Date	Name		
Quantities									Drawing Number
Sheet Size									E 096-123-1
A2									
Sheet									
1	Scale	Surface:	Remark:	Weight:	Material:				
		blektropellert		2,040 kg	1.4301 X5CrNi10-10 A2				

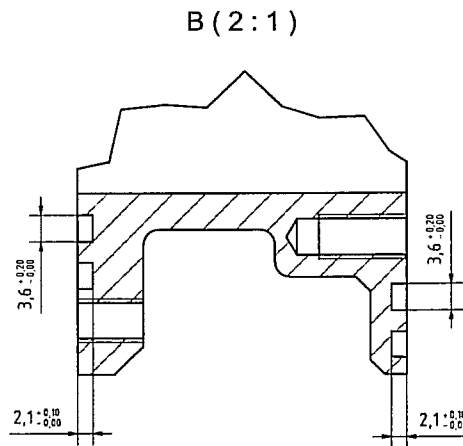
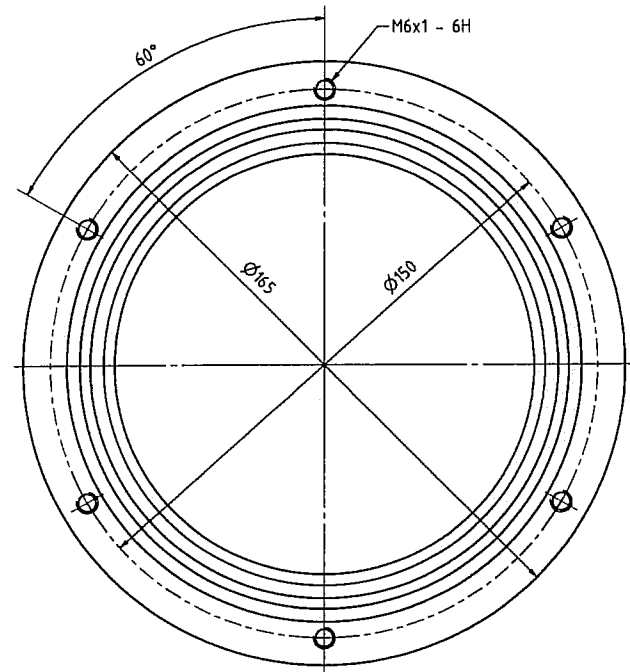
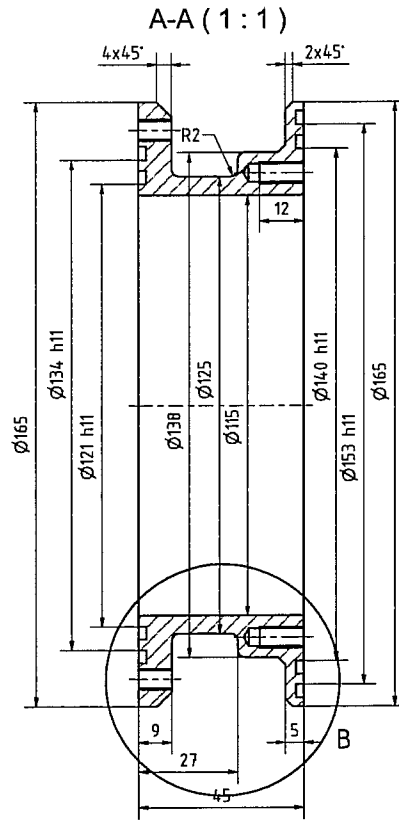
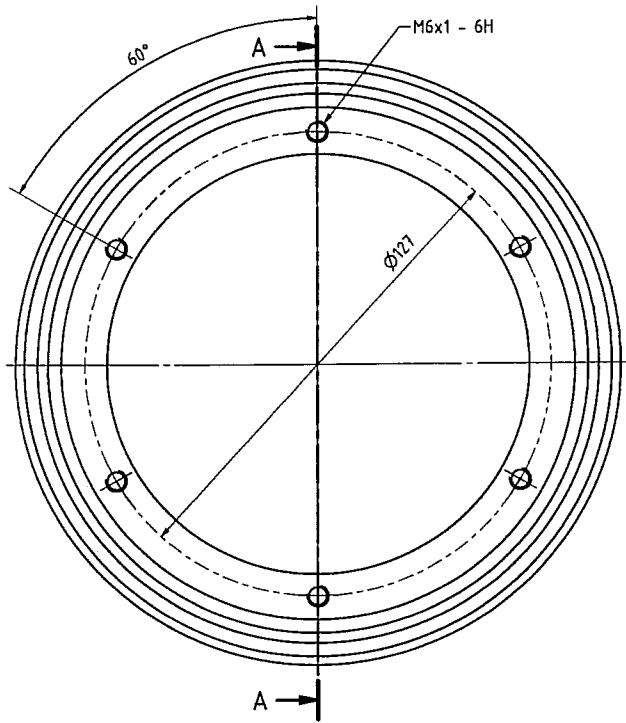




General Tolerance by DIN ISO 2768-mH / Surface Condition by DIN ISO 1302									
	Date	Name	Signature						
Designed by	2013-12-05	Lang Markus							
Checked by									
Approved by									
Author									
Sheet Size	A2								Drawing Number <b>E 096-132-2</b>
Sheet	1								
Scale	Surface:	Remarks:	Weight:	Material: KLINGERSIL C-4400					

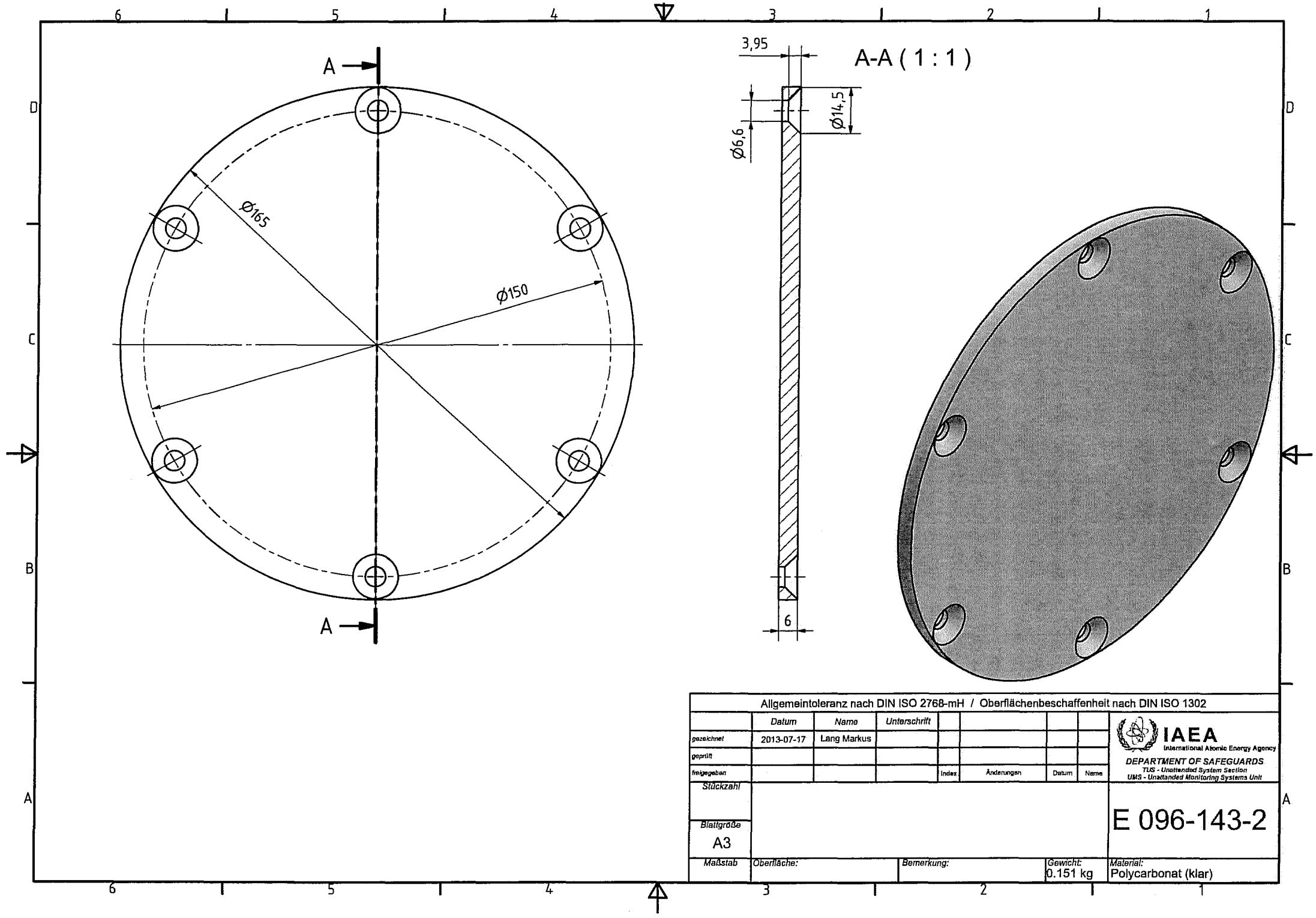






Allgemeintoleranz nach DIN ISO 2768-mH / Oberflächenbeschaffenheit nach DIN ISO 1302							
Datum	Name	Unterschrift					
gezeichnet	2013-07-17	Lang Merkus					
geprüft							
Freigegeben			Index	Änderungen	Datum	Name	
Stückzahl							
Bezeichnung							E 096-141-2
Material	Oberfläche: elektropoliert		Bemerkung:		Gewicht: 1,786 kg	Material: 1.4301 X5CrNi10-10 A2	

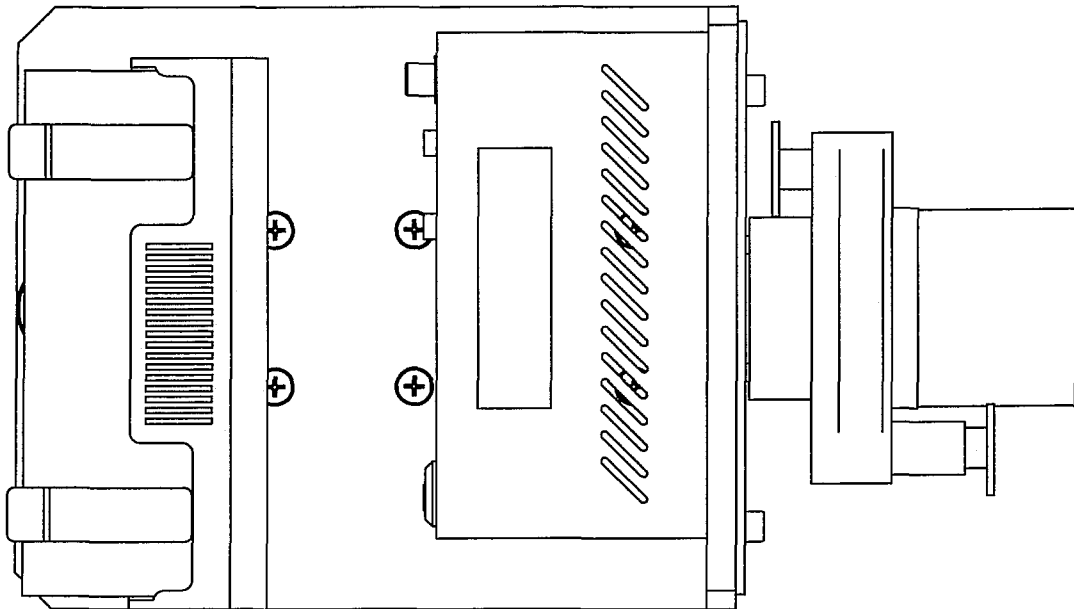
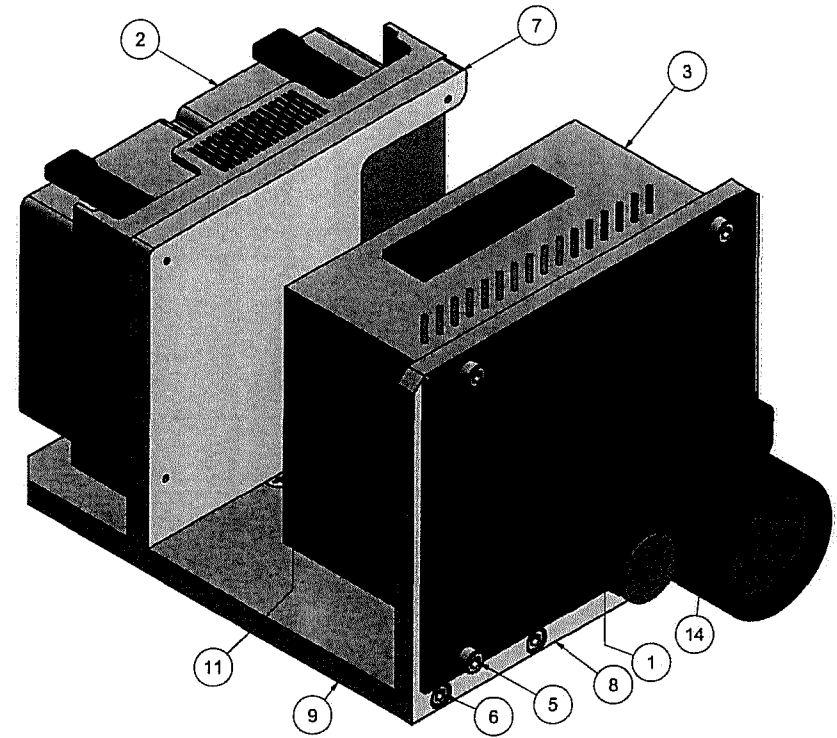
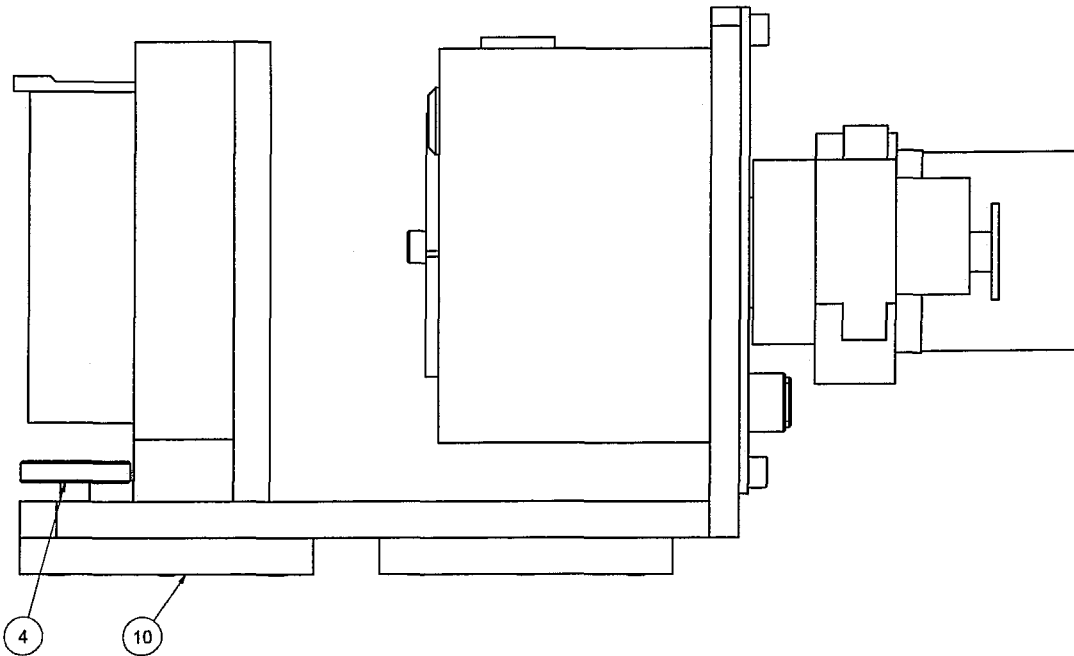




Allgemeintoleranz nach DIN ISO 2768-mH / Oberflächenbeschaffenheit nach DIN ISO 1302								
	Datum	Name	Unterschrift					
gezeichnet	2013-07-17	Lang Markus						
geprüft								
freigegeben				Indiz	Änderungen	Datum	Name	
Stückzahl								
Blattgröße								
Maßstab	Oberfläche:		Bemerkung:		Gewicht:		Material:	
					0.151 kg		Polycarbonat (klar)	

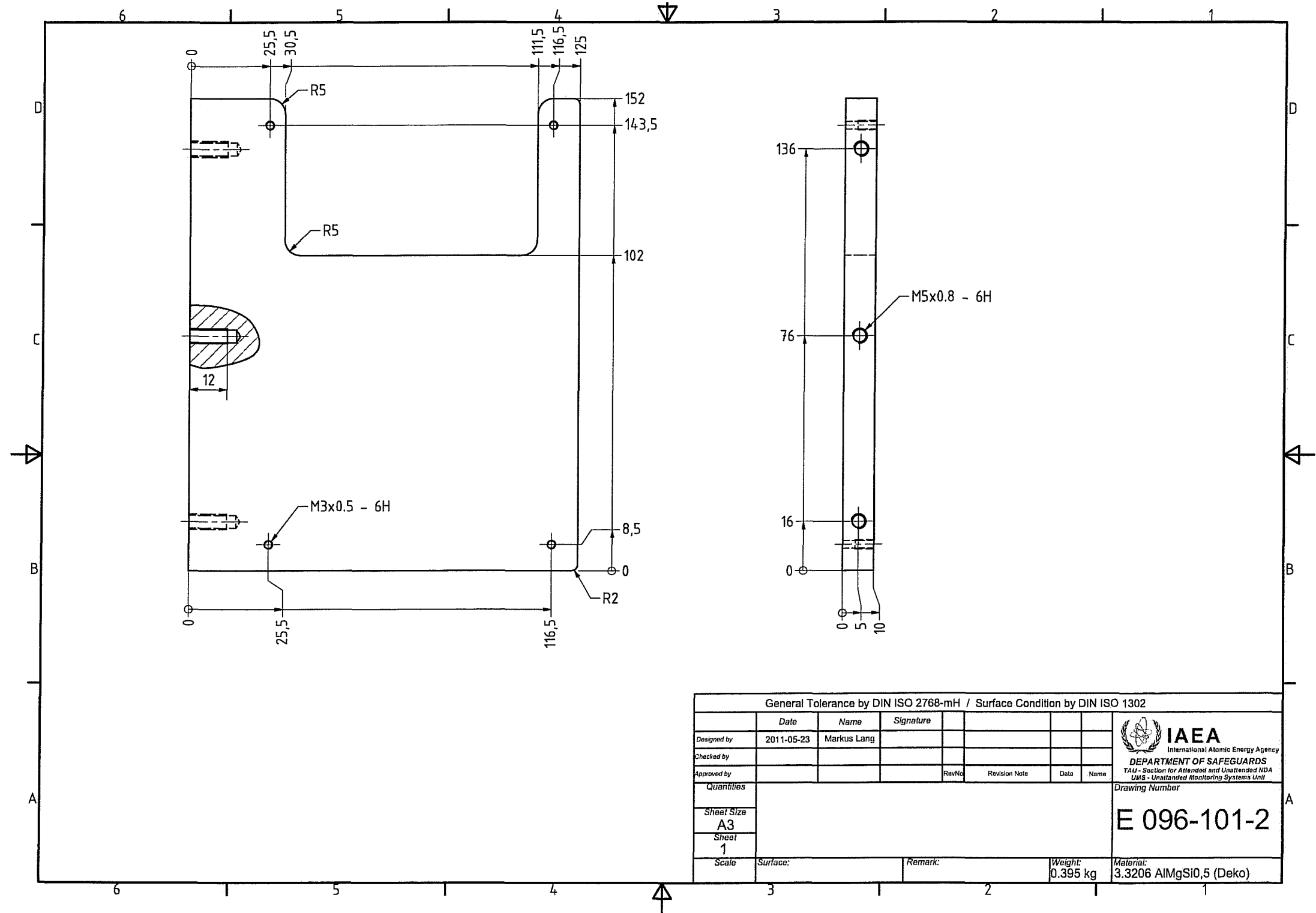


E 096-143-2



Pos	Qty	Part Number	Description	Material	Mass
14	1		lens with servos	Allgemein	0,112
13	1		fish-eye	Allgemein	0,000
12	1		big lens with servos	Allgemein	0,267
11	15	ISO 7046-1 - M5 x 20 - 4,8 - H	Senkschraube	1.4301	0,003
10	4	E 098-119-1		3.3206 AlMgSi0,5 (Deko)	0,027
9	1	E 098-103-1		3.3206 AlMgSi0,5 (Deko)	0,812
8	1	E 098-102-1		3.3206 AlMgSi0,5 (Deko)	0,163
7	1	E 098-101-2		3.3206 AlMgSi0,5 (Deko)	0,395
6	4	DIN 912 - M5 x 12	Zylinderkopfschraube	1.4301	0,004
5	4	DIN 912 - M5 x 10	Zylinderkopfschraube	1.4301	0,003
4	1	DIN 653 - M8 x 16	Rändelschraube	1.4301	0,039
3	1	DCM-C5		Allgemein	1,084
2	1	Battery		Allgemein	0,809
1	1	Adaptierring		Standard	0,043

Parts List					
General Tolerance by DIN ISO 2768-mH / Surface Condition by DIN ISO 1302					
Date	Name	Signature	RevNo	Revision Note	Date
2011-05-23	Markus Lang				
IAEA International Atomic Energy Agency DEPARTMENT OF SAFEGUARDS IAG - Section for Approval and Unattended ICA IAEA - Licensed Member States (LMS)					Drawing Number <b>Z 096-100-1</b>
Characteristics					
Sheet Size A2					
Sheet 1					
Scale	Surface:	Remark:	Weight: 3,914 kg	Material:	

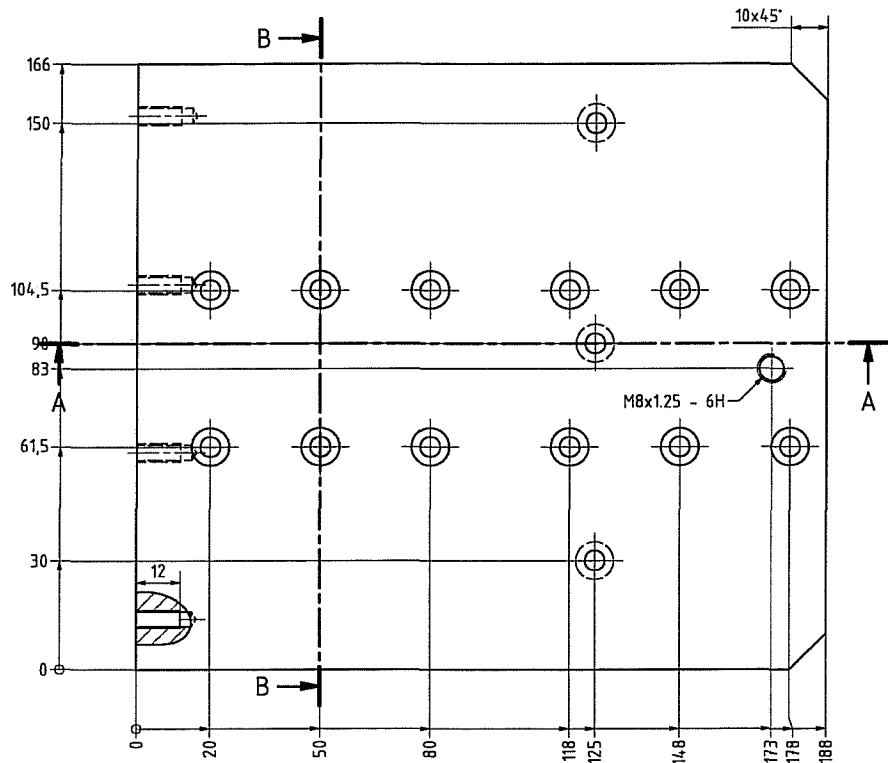
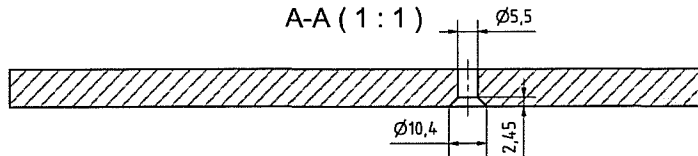


General Tolerance by DIN ISO 2768-mH / Surface Condition by DIN ISO 1302								
	Date	Name	Signature					
Designed by	2011-05-23	Markus Lang						
Checked by								
Approved by				RevNo	Revision Note	Date	Name	
Quantities							Drawing Number	
Sheet Size							E 096-101-2	
A3								
Sheet								
1							Material:	
Scale	Surface:		Remark:		Weight:		0.395 kg	
					Material:		3.3206 AlMgSi0,5 (Deko)	

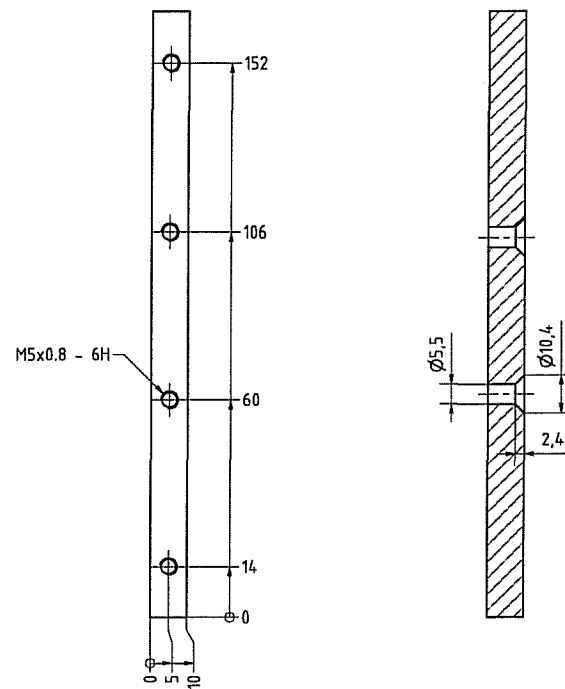




A-A (1:1)

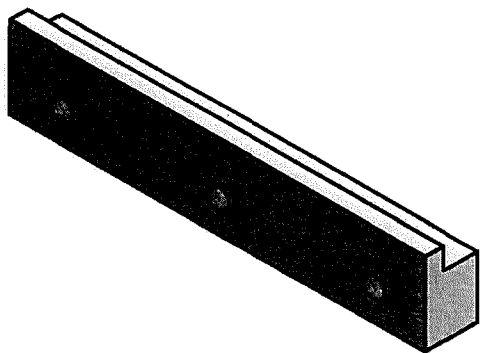
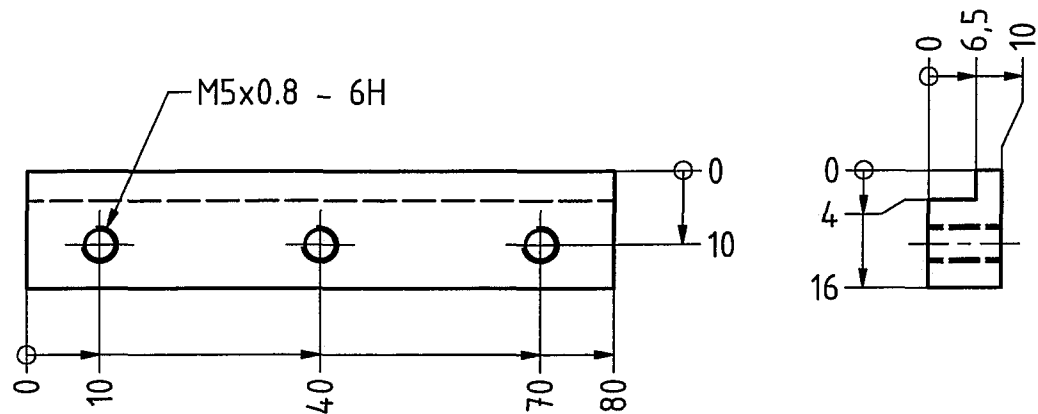


B-B (1:1)



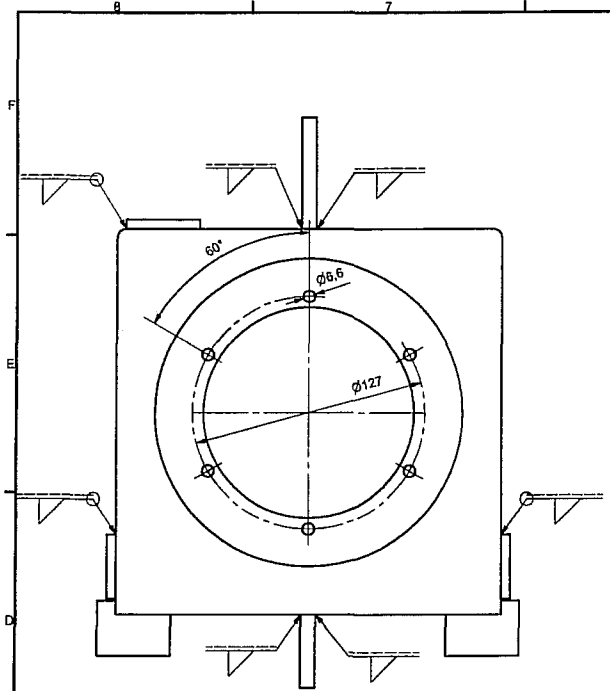
General Tolerance by DIN ISO 2768-mH / Surface Condition by DIN ISO 1302									
Date	Name	Signature							
Designed by	2011-05-23	Markus Lang							
Checked by									
Approved by			RevNo	Revision Note	Date	Name			
Characteristics									Drawing Number
Sheet Size									E 096-103-1
A2									
Sheet 1									
Scale	Surface:		Remark:		Weight:	0.812 kg	Material:	3.3206 AlMgSi0,5 (Deko)	



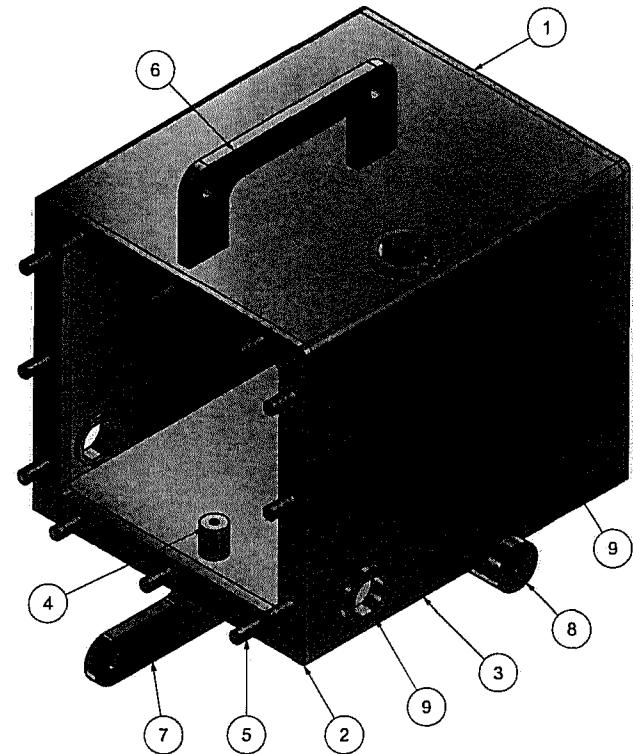
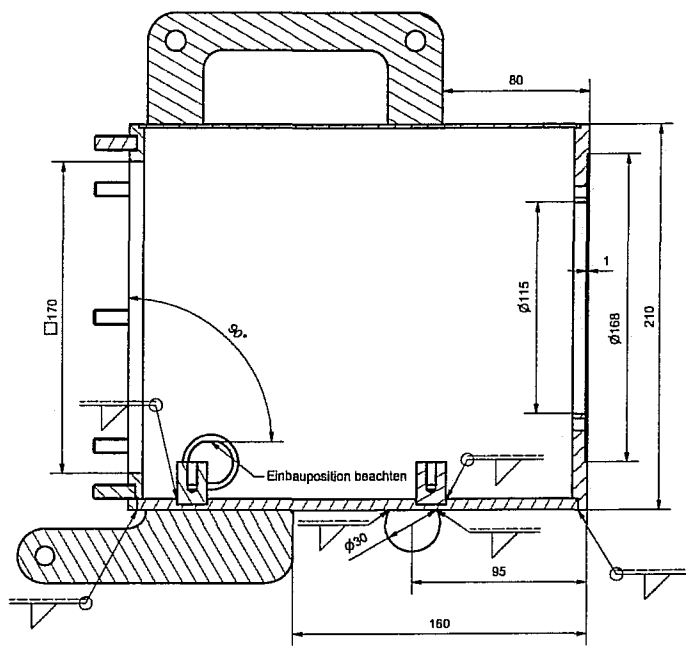


General Tolerance by DIN ISO 2768-mH / Surface Condition by DIN ISO 1302							
	Date	Name	Signature				
Designed by	2011-05-23	Markus Lang					
Checked by							
Approved by				RevNo	Revision Note	Date	Name
Quantities							Drawing Number
Sheet Size							E 096-119-1
Sheet							
Scale	Surface:	Remark:			Weight:	Material:	
					0.027 kg	3.3206 AlMgSi0,5 (Deko)	

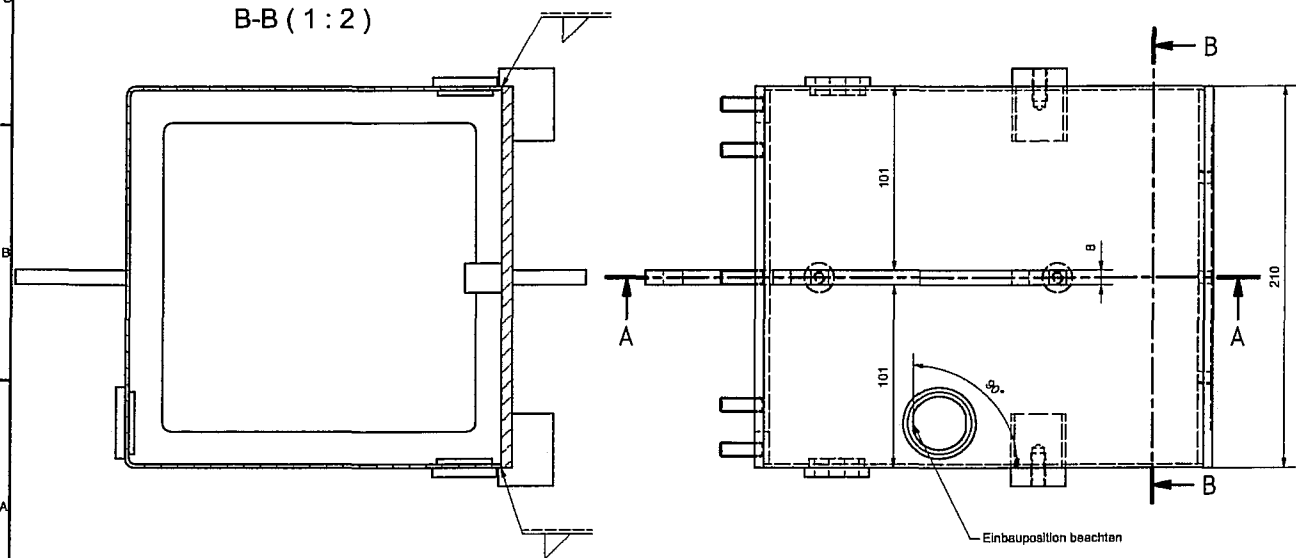




A-A (1:2)



B-B (1:2)



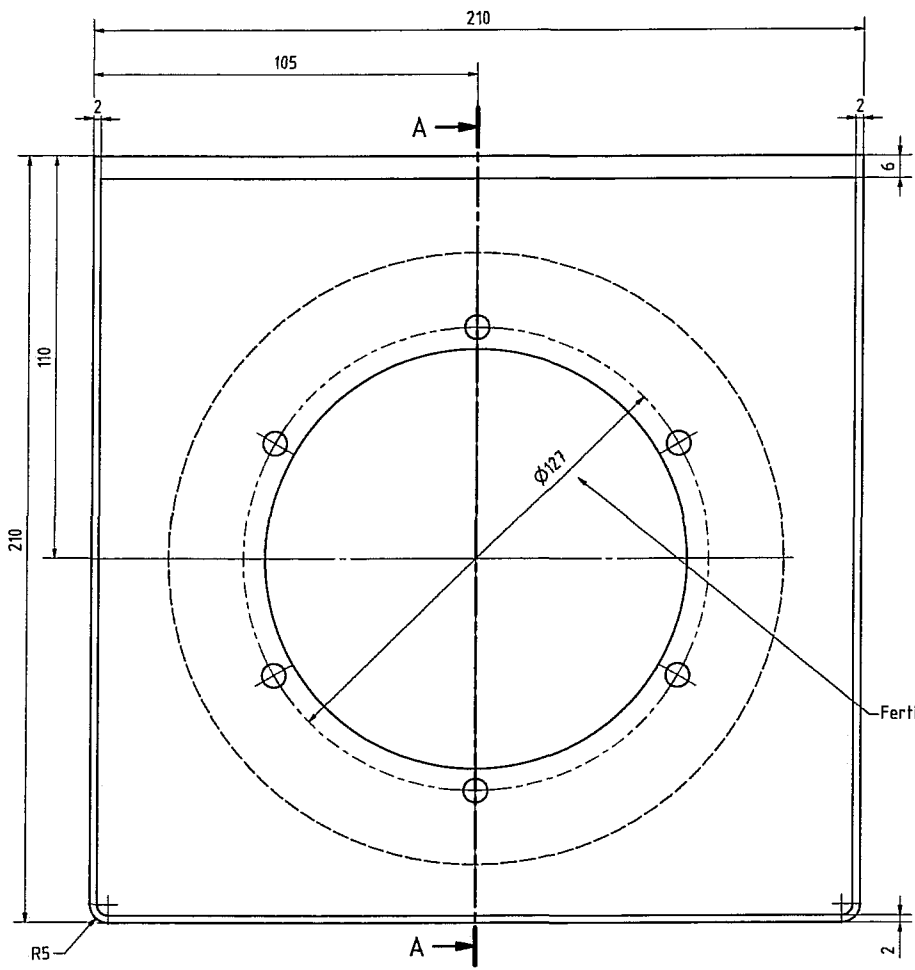
alle Teile wasserdicht miteinander verschweisst

Pos	Qty	Part Number	Description	Material	Mass
9	1	Z 096-130-1			2,358
8	2	E 096-232-1		1.4301 X5CrNi10-10 A2	0,184
7	1	E 096-229-1		1.4301 X5CrNi10-10 A2	0,320
6	1	E 096-131-1		1.4301 X5CrNi10-10 A2	0,337
5	12	E 096-126-1		1.4301 X5CrNi10-10 A2	0,009
4	2	E 096-116-1		1.4301 X5CrNi10-10 A2	0,034
3	1	E 096-115-1		1.4301 X5CrNi10-10 A2	2,367
2	1	E 096-113-1		1.4301 X5CrNi10-10 A2	0,878
1	1	E 096-112-3		1.4301 X5CrNi10-10 A2	1,957

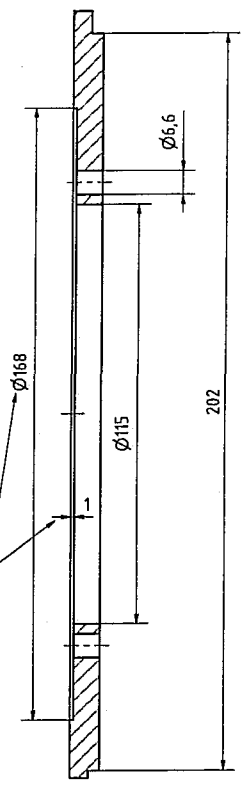
Parts List					
Allgemeintoleranz nach DIN ISO 2768-mH / Oberflächenbeschaffenheit nach DIN ISO 1302					
Datum	Name	Unterschrift			
2012-02-06	Markus Lang				
gezeichnet					
geprüft					
freigegeben					
INDEX					
Änderungen					
Datum					
Name					
<b>Z 096-110-3</b>					
Material	Obenfläche: elektropoliert	Bemerkung:	Gewicht: 8,760 kg	Material:	



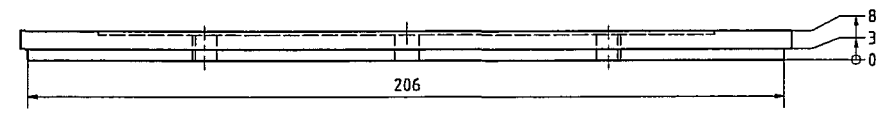
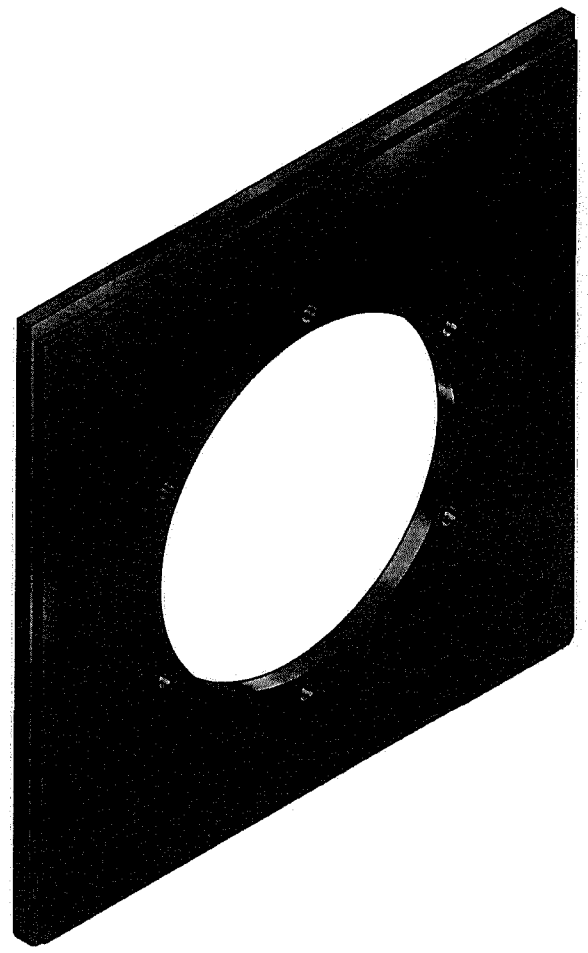




A-A (1:1)



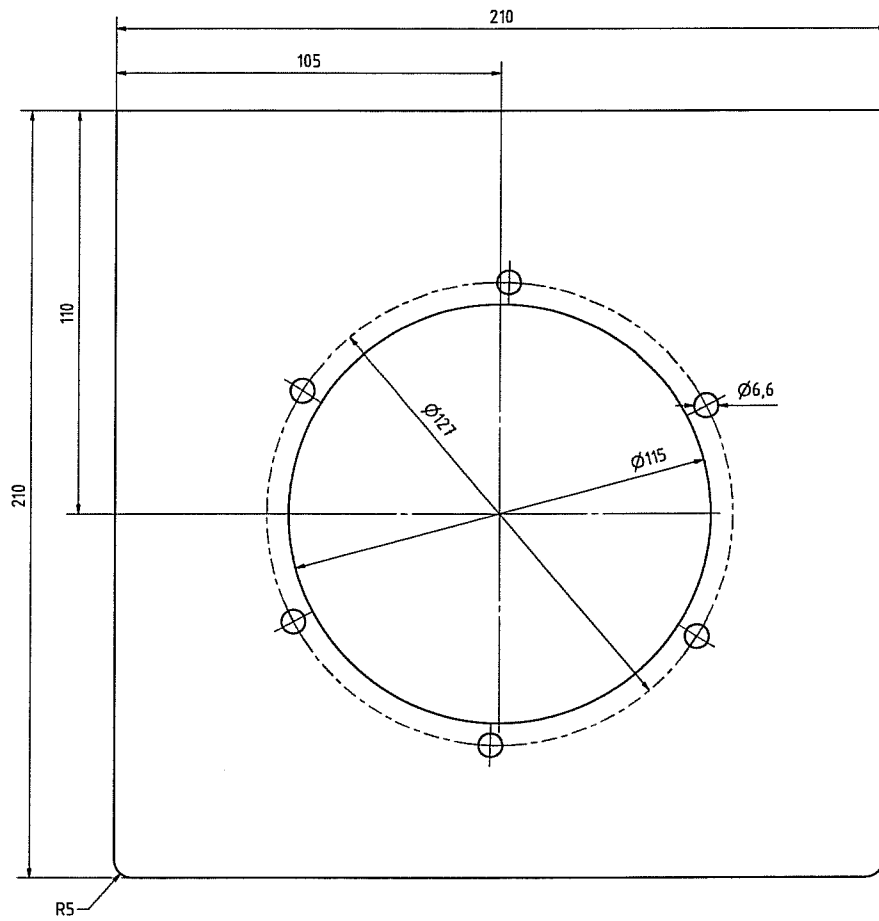
Fertigung nach dem Schweißen



Allgemeintoleranz nach DIN ISO 2768-mH / Oberflächenbeschaffenheit nach DIN ISO 1302							
Datum	Name	Unterschrift					
2012-02-06	Merkus Lang						
gezeichnet							
geprüft							
Freigegeben			Index	Änderungen	Datum	Name	
Stückzahl							
Bestgröße							
A2							
Material	Oberfläche:	Bemerkung:	Gewicht:	Material:			
			1.957 kg	1.4301 X5CrNi10-10 A2			



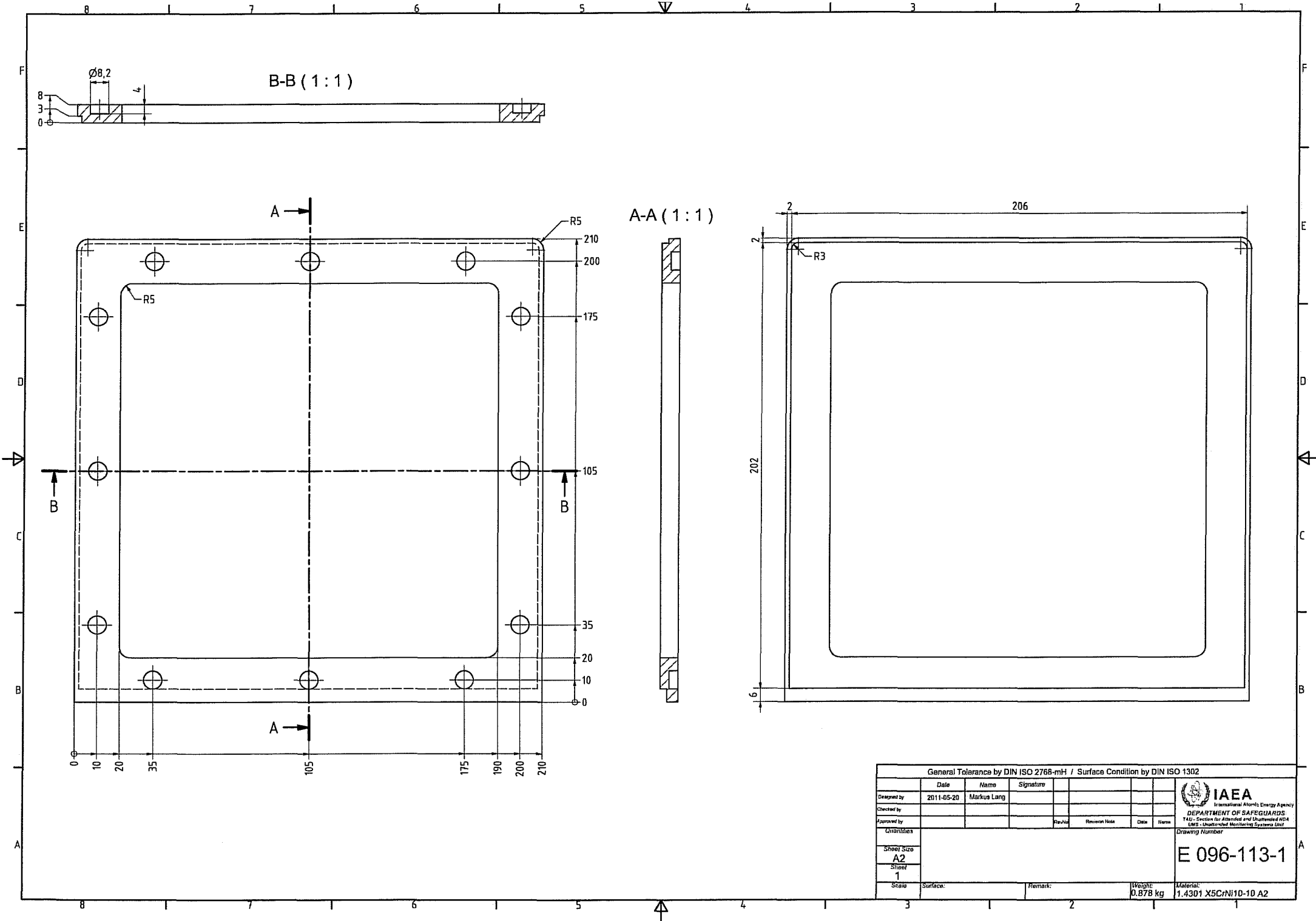
E 096-112-3



Allgemeintoleranz nach DIN ISO 2768-mH / Oberflächenbeschaffenheit nach DIN ISO 1302								
	Datum	Name	Unterschrift					
projektiert	2012-02-08	Markus Lang						
geprüft								
freigegeben				Index	Änderungen	Datum	Name	
Stückzahl								
Blattgröße								
A2								
Maßstab	Oberfläche:	Bemerkung:	Gewicht:	Material:				
				1.4301 X5CrNi10-10 A2				



E 096-112-3

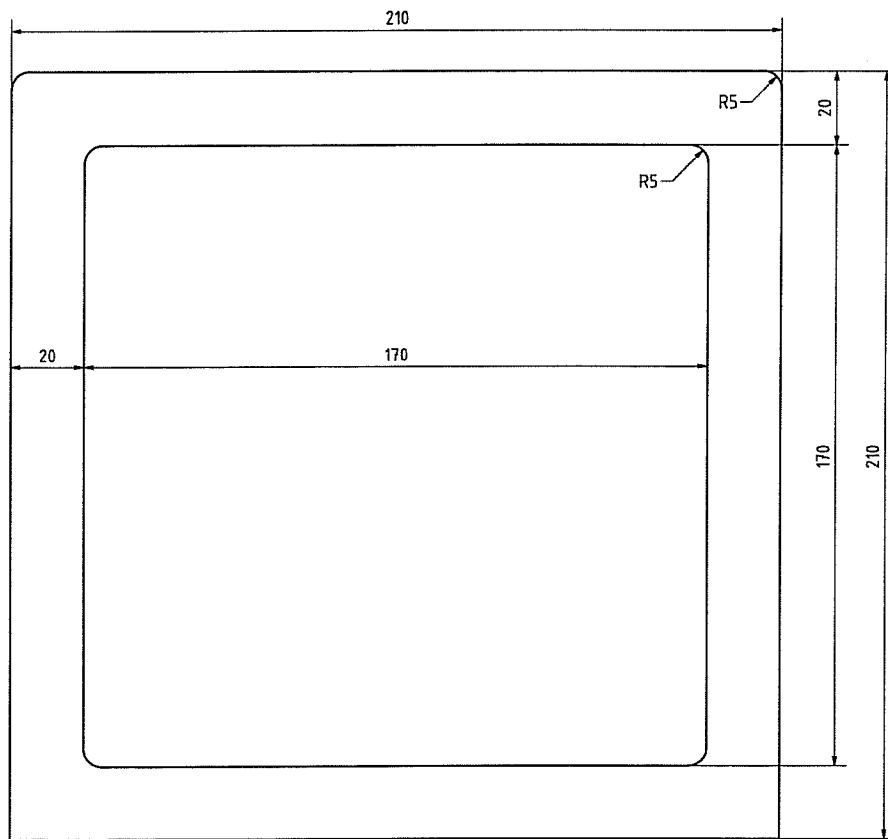


B-B (1:1)

A-A (1:1)

General Tolerance by DIN ISO 2768-mH / Surface Condition by DIN ISO 1302							
Date	Name	Signature					
Designed by	2011-05-20	Markus Lang					
Checked by							
Approved by			Rev/No	Revision Date	Date	Name	
Quantities							Drawing Number
Sheet Size							E 096-113-1
Sheet							
Scale							
Surface:	Remark:		Weight:		Material:		
			0.878 kg		1.4301 X5CrNi10-10 A2		

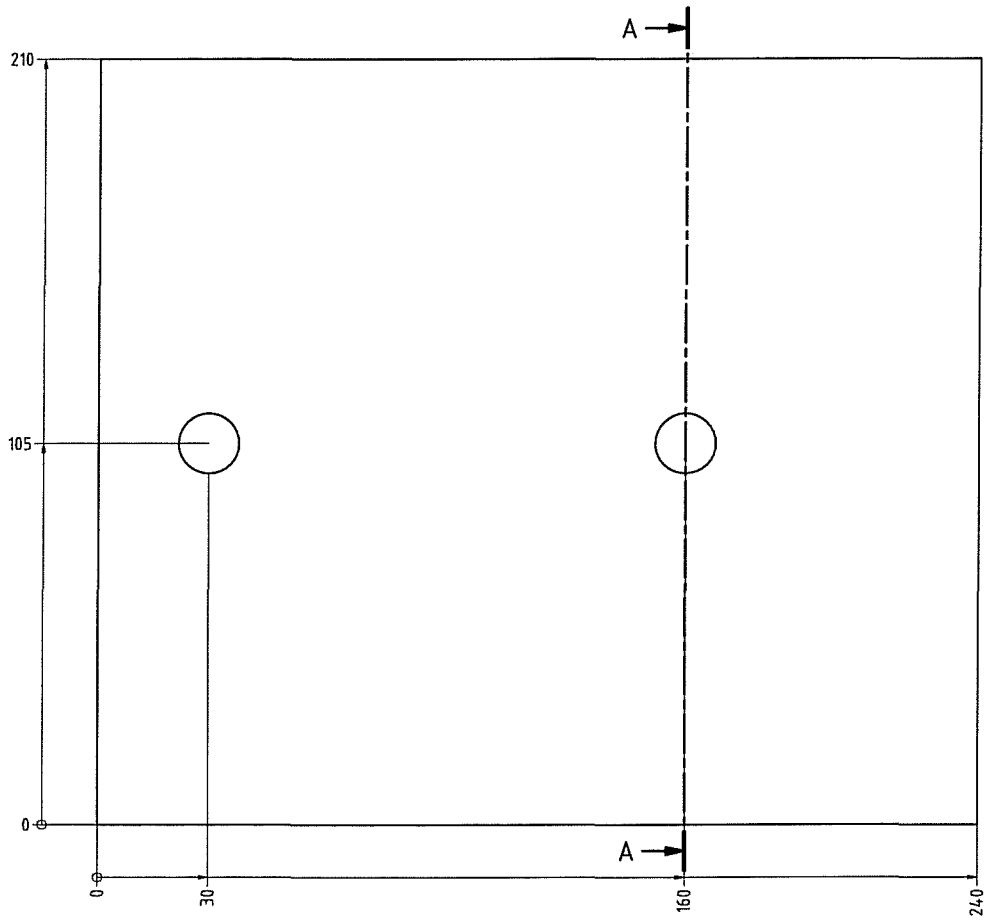

**IAEA**  
 International Atomic Energy Agency  
 DEPARTMENT OF SAFEGUARDS  
 T&E Section for Assessment and Upgrades of NDA  
 UMS - Unattended Monitoring Systems Unit



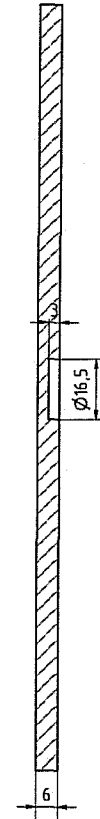
Allgemeintoleranz nach DIN ISO 2768-mH / Oberflächenbeschaffenheit nach DIN ISO 1302									
	Datum	Name	Unterschrift						
gezeichnet	2012-02-08	Märkus Lang							
geprüft									
Freigegeben				Index	Änderungen	Datum	Name		
Stückzahl									
Blattgröße									
A2									E 096-113-1
Maßstab	Oberfläche:		Bemerkung:		Gewicht:		Material:		
					0,956 kg		1.4301 X5CrNi10-10 A2		



E 096-113-1

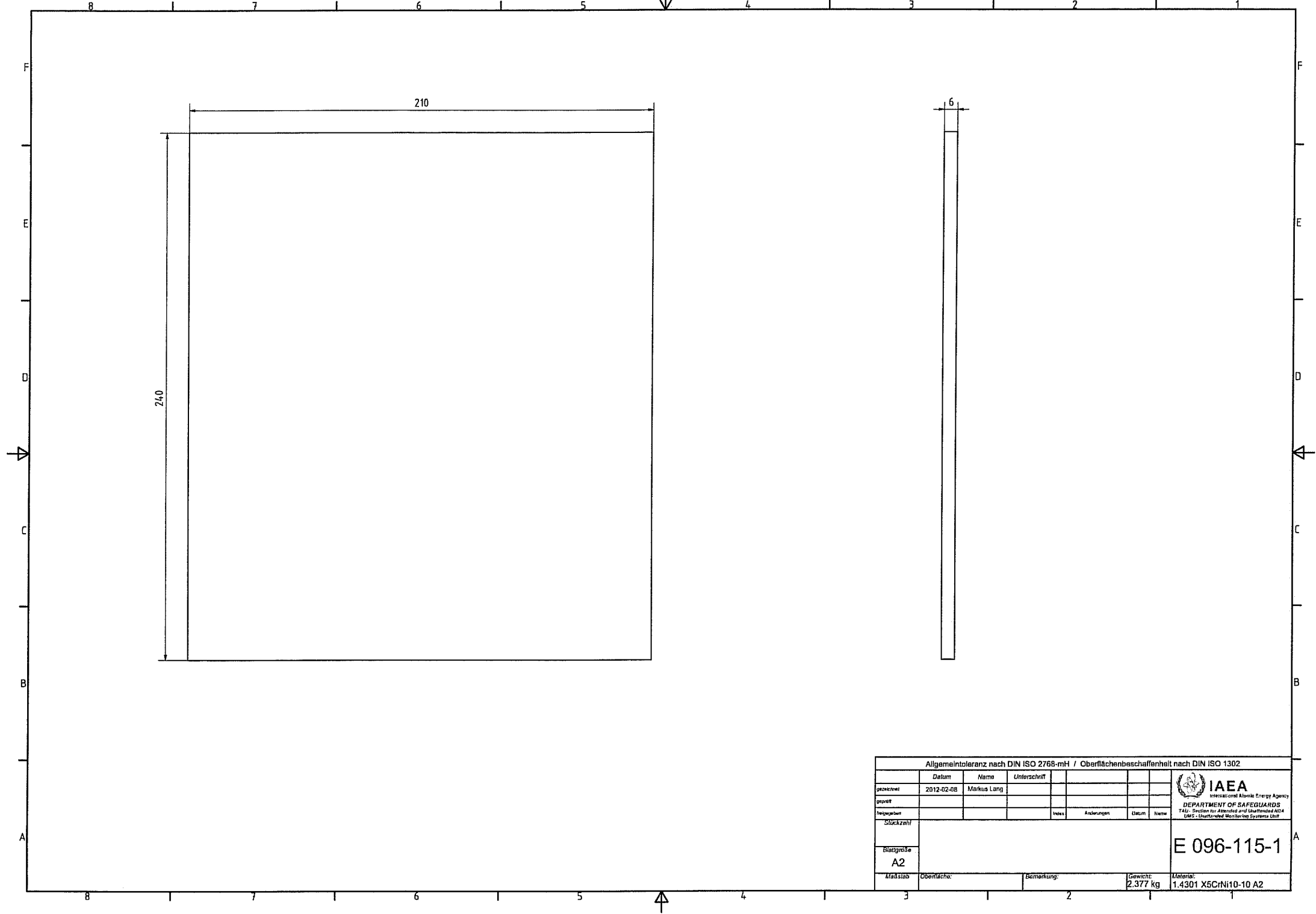


A-A (1:1)



General Tolerance by DIN ISO 2768-mH / Surface Condition by DIN ISO 1302									
	Date	Name	Signature						
Designed by	2011-05-20	Markus Lang							
Checked by									
Approved by				Rev/No	Revision Note	Date	Name		
Quantity									Drawing Number
Sheet Size									E 096-115-1
Sheet									
Scale									
Surface:				Remark:				Weight:	Material:
								2,367 kg	1.4301 X5CrNi10-10 A2



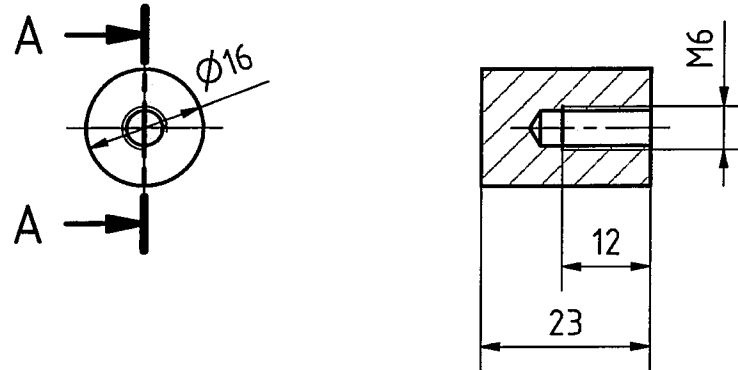



Allgemeintoleranz nach DIN ISO 2768-mH / Oberflächenbeschaffenheit nach DIN ISO 1302							
Datum	Name	Unterschrift					
gezeichnet	2012-02-08	Markus Lang					
geprüft							
Freigegeben			Index	Änderungen	Datum	Name	
Stückzahl							
Blattgröße							
A2							
Maßstab	Oberfläche:		Bemerkung:		Gewicht:	Material:	
					2,377 kg	1.4301 X5CrNi10-10 A2	



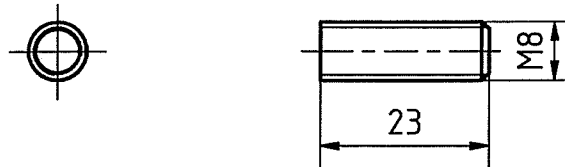
E 096-115-1

A-A (1:1)



Allgemeintoleranz nach DIN ISO 2768-mH / Oberflächenbeschaffenheit nach DIN ISO 1302							
	Datum	Name	Unterschrift				
gezeichnet	2011-05-23	Markus Lang					
geprüft							
freigegeben				Index	Änderungen	Datum	Name
Stückzahl							 <b>IAEA</b> International Atomic Energy Agency <b>DEPARTMENT OF SAFEGUARDS</b> TAU - Section for Attended and Unattended NDA UMS - Unattended Monitoring Systems Unit
Blattgröße							
A4							
Maßstab	Oberfläche:			Bemerkung:		Gewicht:	Material:
						0.034 kg	1.4301 X5CrNi10-10 A2

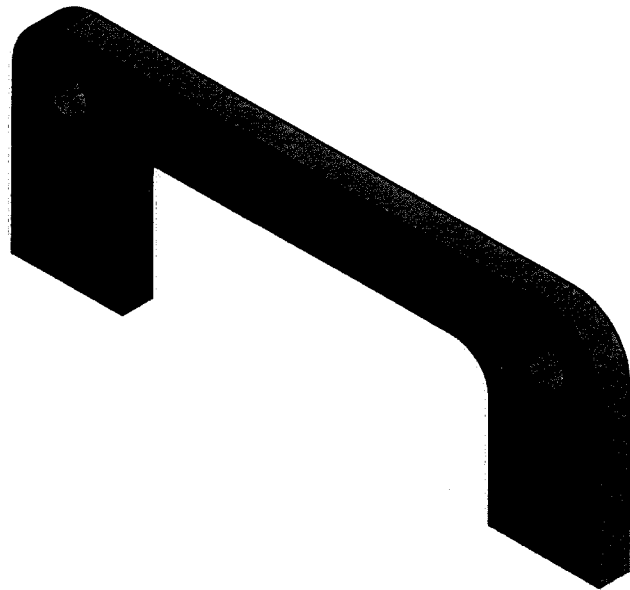
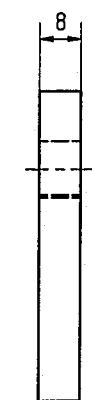
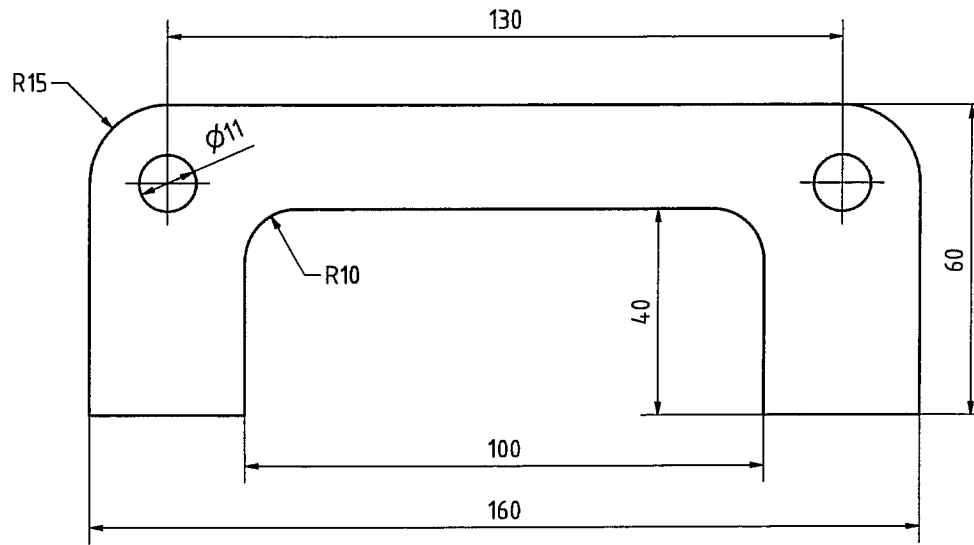
E 096-116-1




Allgemeintoleranz nach DIN ISO 2768-mH / Oberflächenbeschaffenheit nach DIN ISO 1302							
	Datum	Name	Unterschrift				
gezeichnet	2011-05-23	Markus Lang					
geprüft							
freigegeben				Index	Änderungen	Datum	Name
Stückzahl							E 096-126-1
Blattgröße	A4						
Maßstab	Oberfläche:			Bemerkung:		Gewicht:	Material:
						0.009 kg	1.4301 X5CrNi10-10 A2

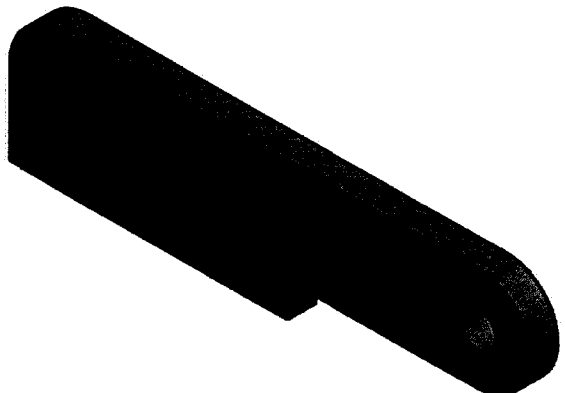
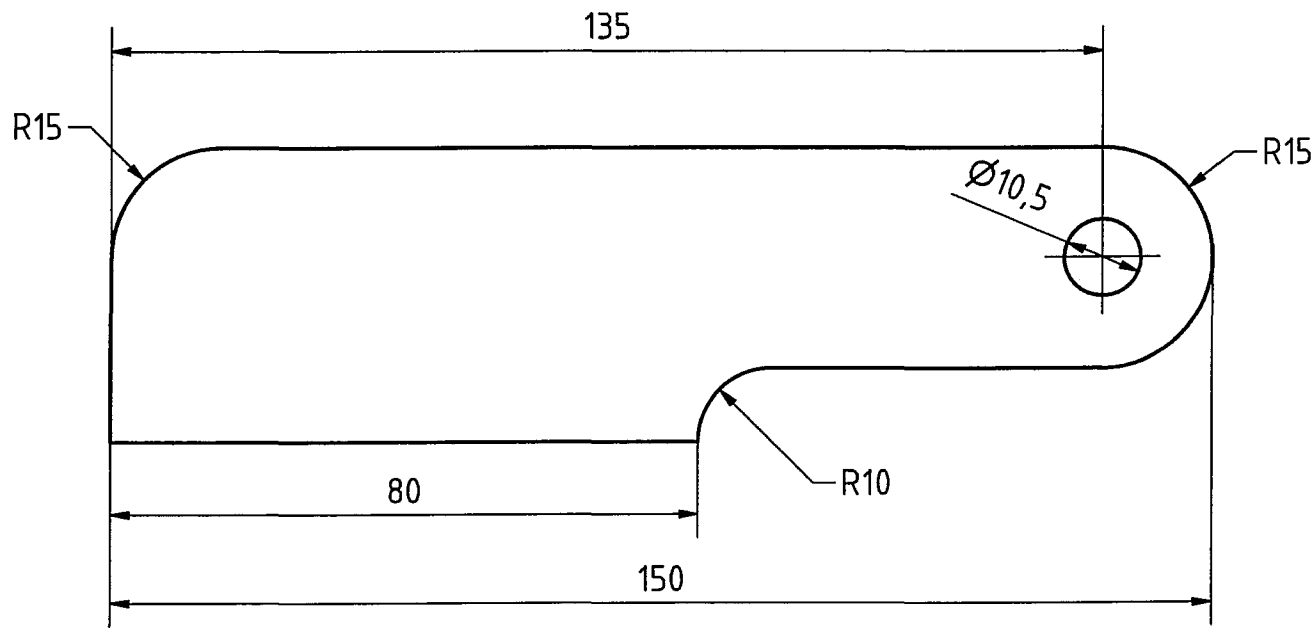






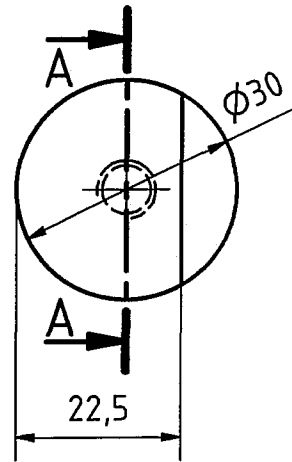
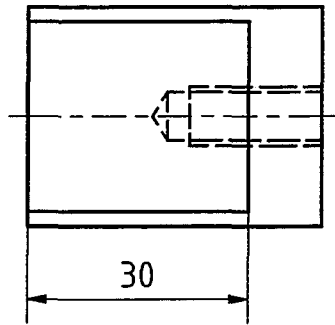
Allgemeintoleranz nach DIN ISO 2768-mH / Oberflächenbeschaffenheit nach DIN ISO 1302							
	Datum	Name	Unterschrift				
gezeichnet	2011-05-23	Markus Lang					
geprüft							
freigegeben				Index	Änderungen	Datum	Name
Stückzahl							 <b>IAEA</b> International Atomic Energy Agency <b>DEPARTMENT OF SAFEGUARDS</b> TAU - Section for Attended and Unattended NDA UMS - Unattended Monitoring Systems Unit
Blattgröße							
A3							
Maßstab	Oberfläche:	Bemerkung:			Gewicht:	Material:	
					0.337 kg	1.4301 X5CrNi10-10 A2	

E 096-131-1

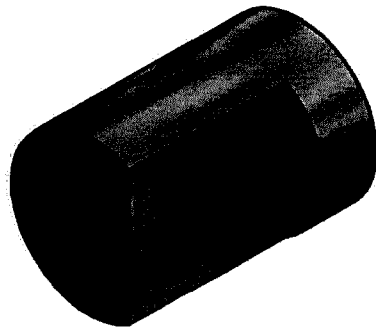
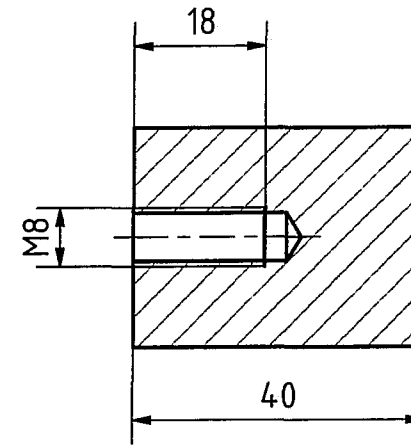


General Tolerance by DIN ISO 2768-mH / Surface Condition by DIN ISO 1302							
	Date	Name	Signature				
Designed by	2011-05-23	Markus Lang					
Checked by							
Approved by				RevNo	Revision Note	Date	Name
Quantities							Drawing Number
Sheet Size							<b>E 096-229-1</b>
A4							
Sheet							
1							
Scale	Surface:			Remark:		Weight:	Material:
						0.320 kg	1.4301 X5CrNi10-10 A2



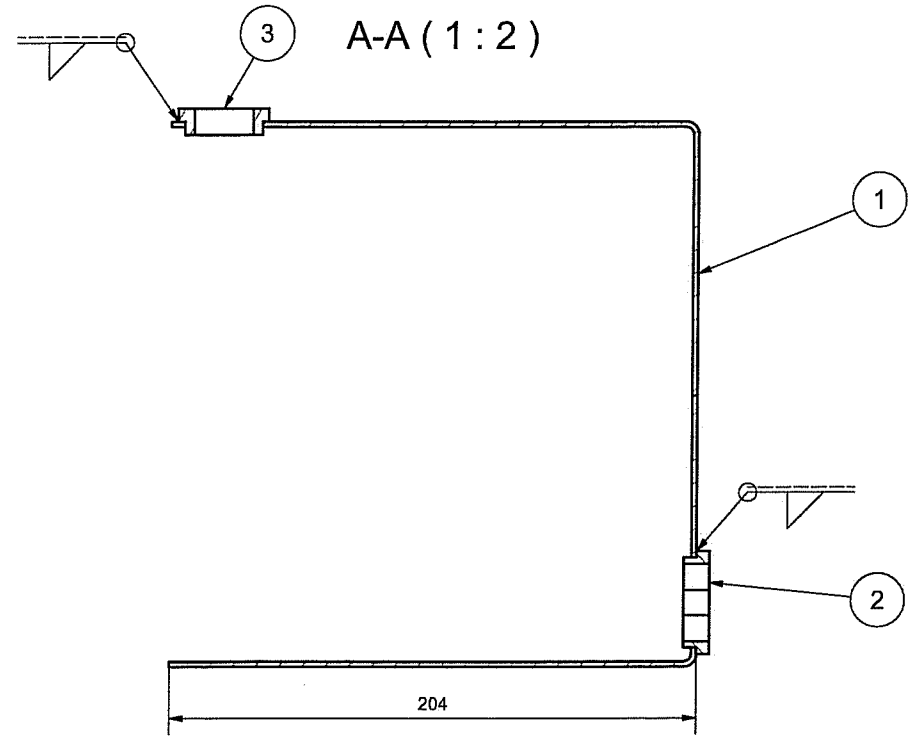
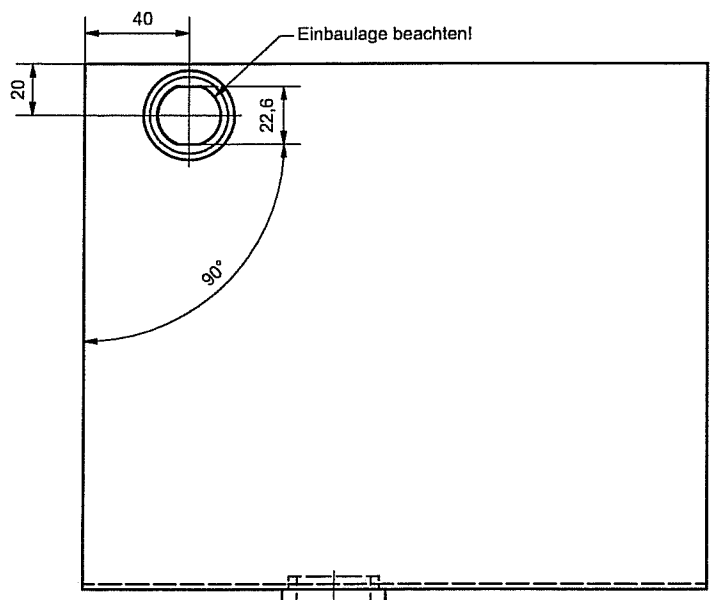
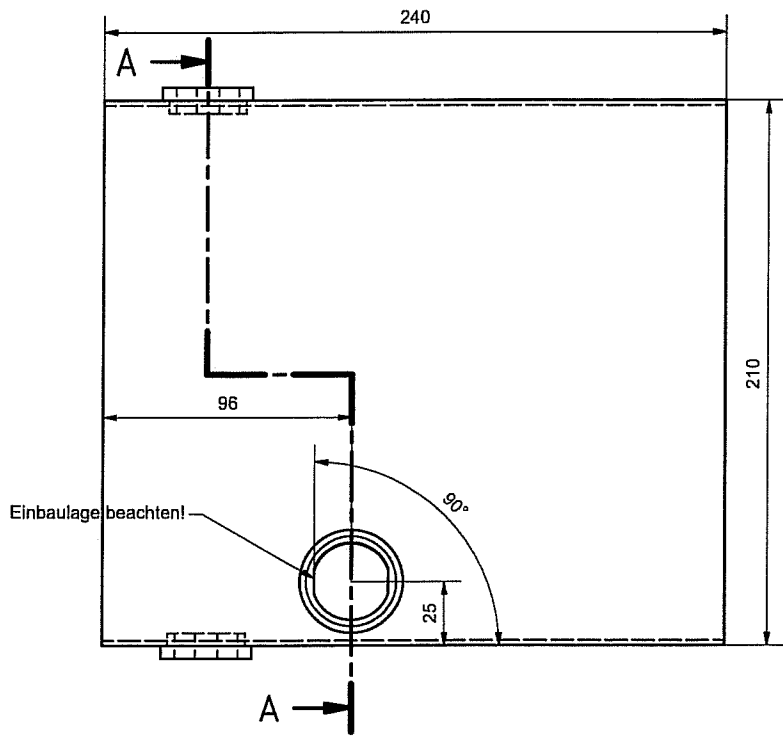


A-A (1:1)



General Tolerance by DIN ISO 2768-mH / Surface Condition by DIN ISO 1302							
	Date	Name	Signature				
Designed by	2011-05-23	Markus Lang					
Checked by							
Approved by				RevNo	Revision Note	Date	Name
Quantities							Drawing Number
Sheet Size							<b>E 096-232-1</b>
Sheet							
Scale	Surface:	Remark:			Weight:	Material:	
					0.184 kg	1.4301 X5CrNi10-10 A2	

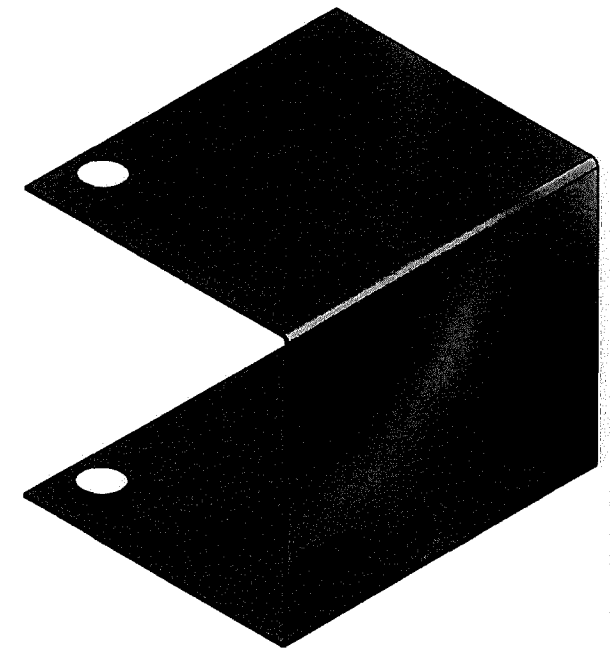
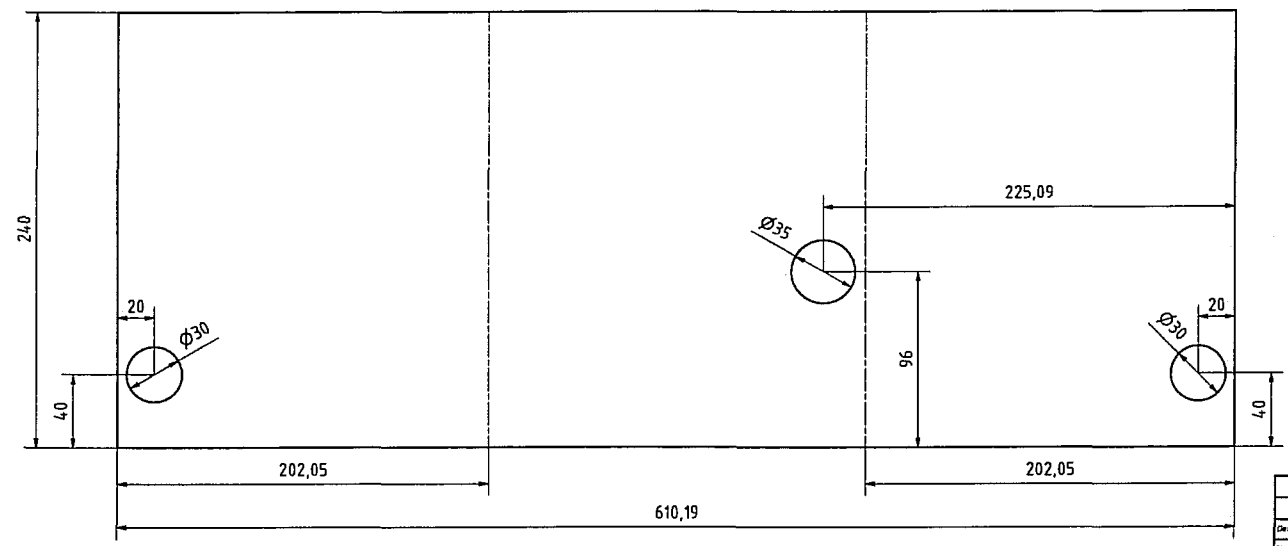
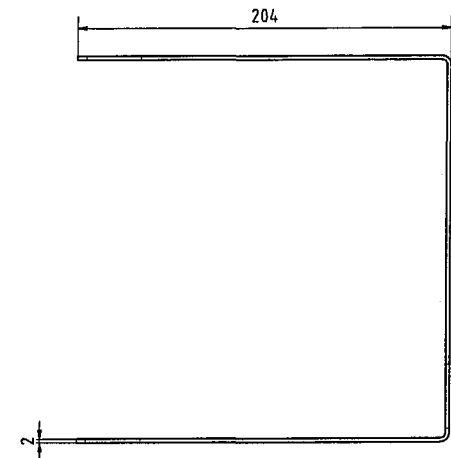
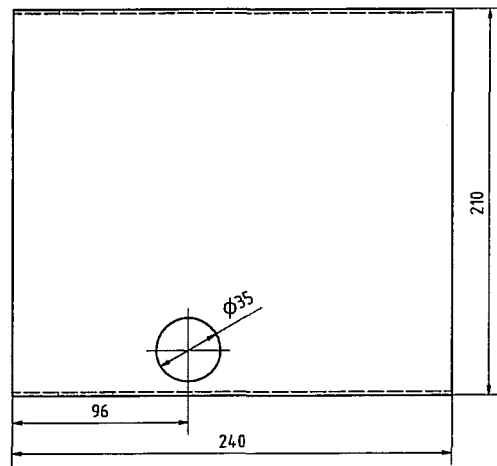




Pos	Qty	Part Number	Description	Material	Mass
3	2	E 096-128-3		1.4301 X5CrNi10-10 A2	0,030
2	1	E 096-128-2		1.4301 X5CrNi10-10 A2	0,032
1	1	E 096-114-1		1.4301 X5CrNi10-10 A2	2,266

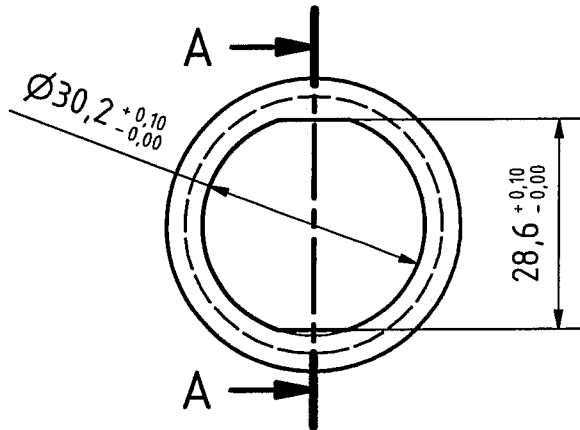
Parts List						
General Tolerance by DIN ISO 2768-mH / Surface Condition by DIN ISO 1302						
Date	Name	Signature				
Designed by	2011-05-19	Markus Lang				
Checked by						
Approved by			RvNo	Revision Note	Date	Name
Quantities						Drawing Number
Sheet Size						Z 096-130-1
Sheet						
Scale	Surface:	Remark:	Weight:	Material:		
			2.358 kg			



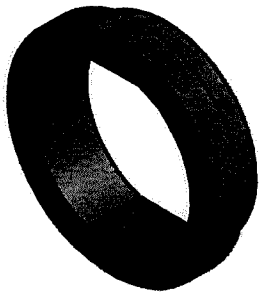
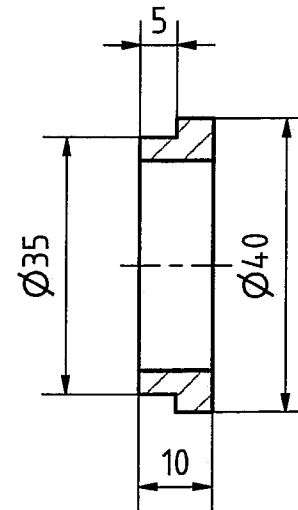



General Tolerance by DIN ISO 2768-mH / Surface Condition by DIN ISO 1302									
Date	Name	Signature							
2011-05-20	Markus Lang								
Checked by									
Approved by									
Customer									Drawing Number
Sheet Size									E 096-114-1
Sheet									
Scale	Surface:	Remark:					Weight:	2.266 kg	
							Material:	1.4301 X5CrNi10-10 A2	





A-A (1:1)



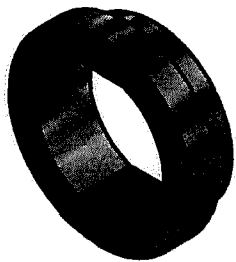
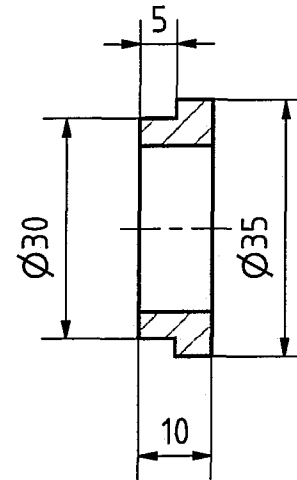
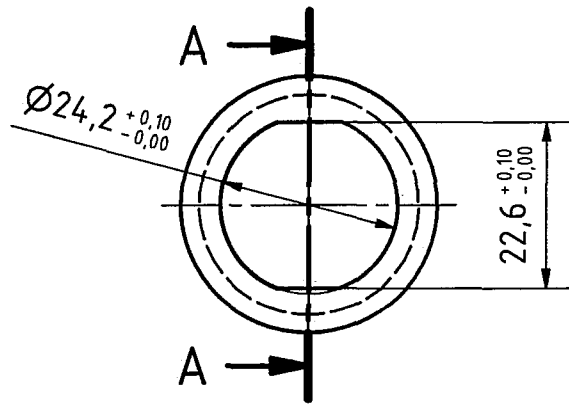
Allgemeintoleranz nach DIN ISO 2768-mH / Oberflächenbeschaffenheit nach DIN ISO 1302							
	Datum	Name	Unterschrift				
gezeichnet	2012-05-14	Markus Lang					
geprüft							
freigegeben				Index	Änderungen	Datum	Name
Stückzahl							 <b>IAEA</b> International Atomic Energy Agency <b>DEPARTMENT OF SAFEGUARDS</b> TAU - Section for Attended and Unattended NDA UMS - Unattended Monitoring Systems Unit
Blattgröße							
A4							
Maßstab	Oberfläche:		Bemerkung:		Gewicht:	Material:	
					0.032 kg	1.4301 X5CrNi10-10 A2	



**IAEA**  
 International Atomic Energy Agency  
**DEPARTMENT OF SAFEGUARDS**  
 TAU - Section for Attended and Unattended NDA  
 UMS - Unattended Monitoring Systems Unit

**E 096-128-2**

Gewicht: 0.032 kg  
 Material: 1.4301 X5CrNi10-10 A2

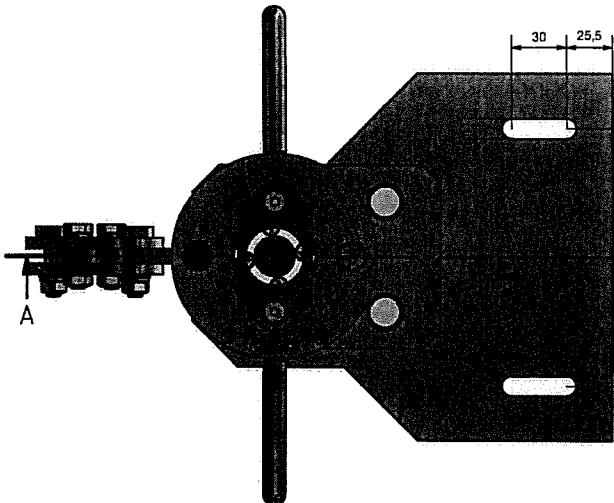
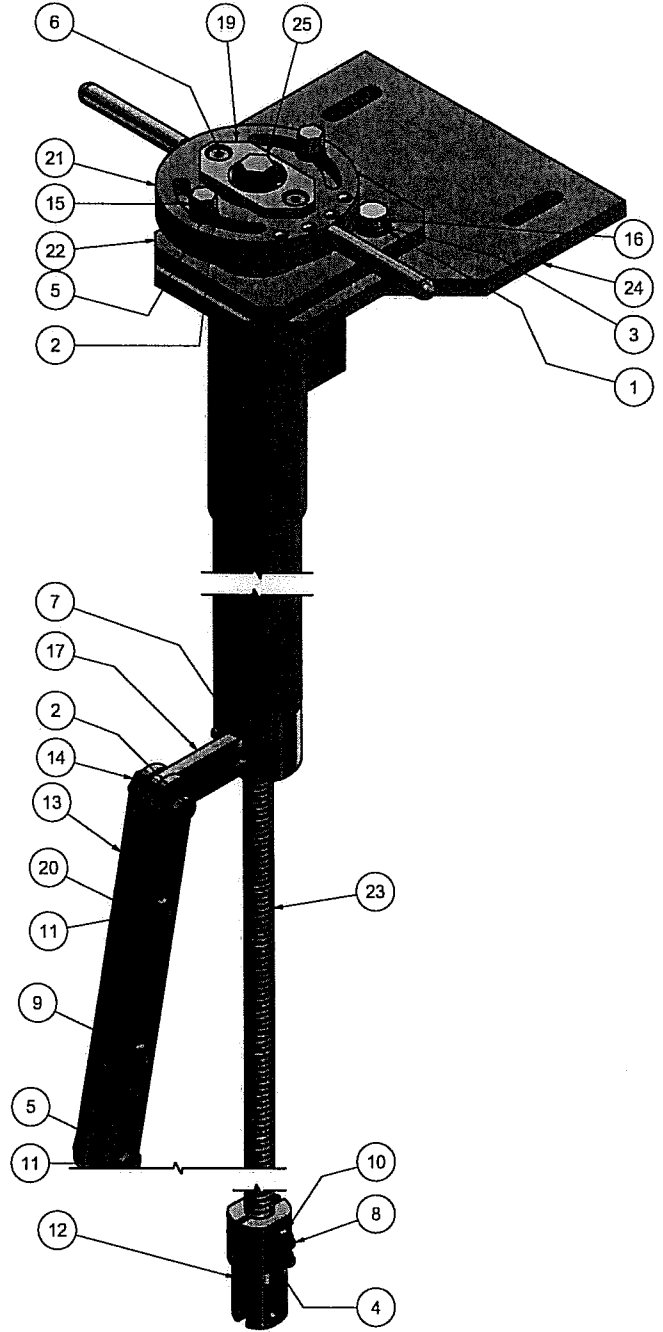
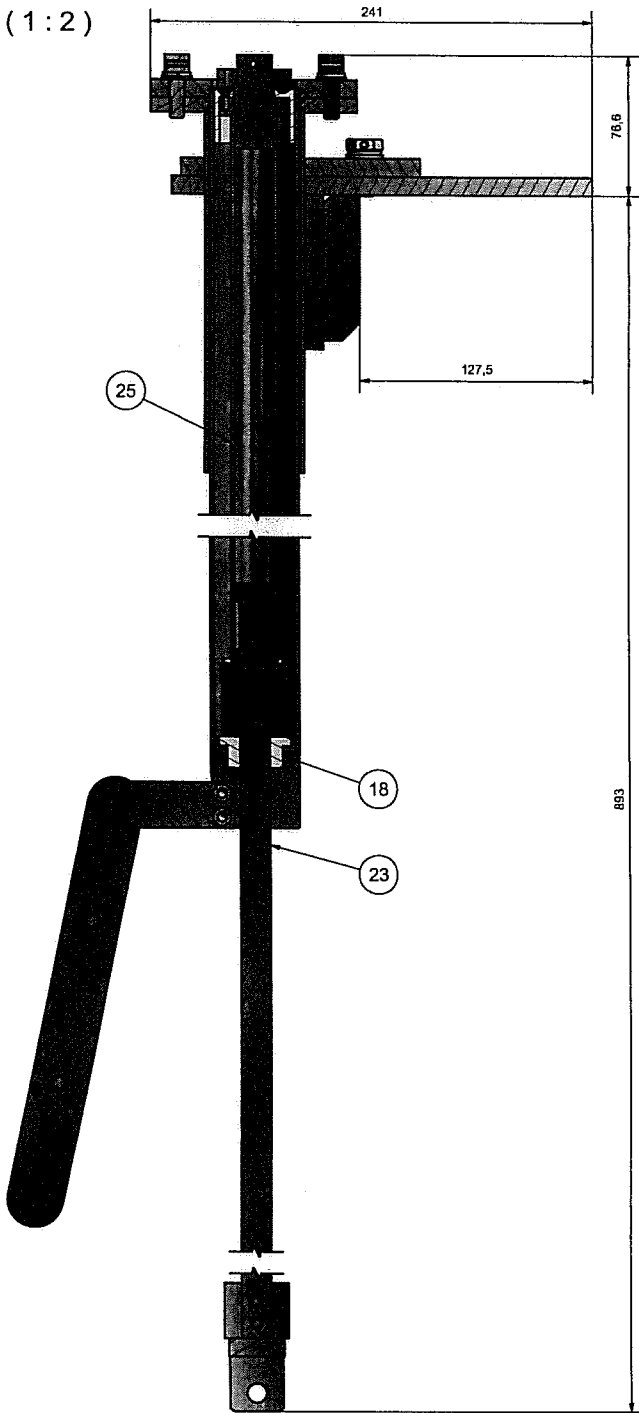
A-A (1:1)




Allgemeintoleranz nach DIN ISO 2768-mH / Oberflächenbeschaffenheit nach DIN ISO 1302							
	Datum	Name	Unterschrift				
gezeichnet	2012-12-18	Lang Markus					
geprüft							
freigegeben				Index	Änderungen	Datum	Name
Stückzahl							 <b>IAEA</b> International Atomic Energy Agency <b>DEPARTMENT OF SAFEGUARDS</b> TAU - Section for Attended and Unattended NDA UMS - Unattended Monitoring Systems Unit
Blattgröße							
A4							
Maßstab	Oberfläche:		Bemerkung:		Gewicht:	Material:	
					0.030 kg	1.4301 X5CrNi10-10 A2	

E 096-128-3

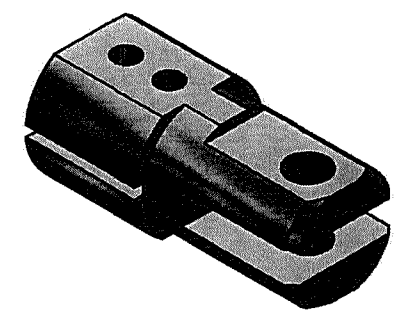
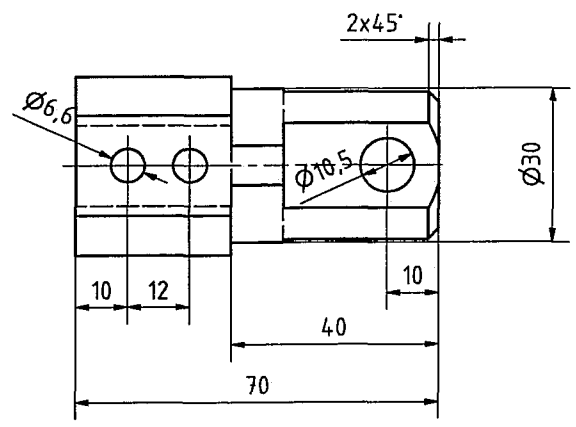
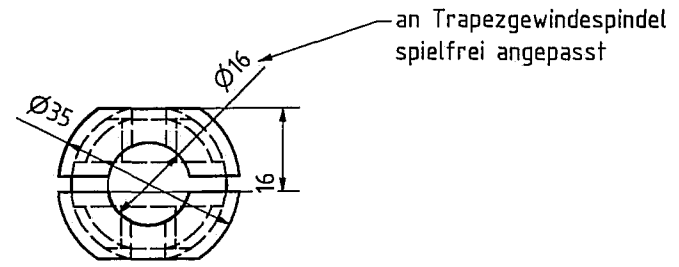
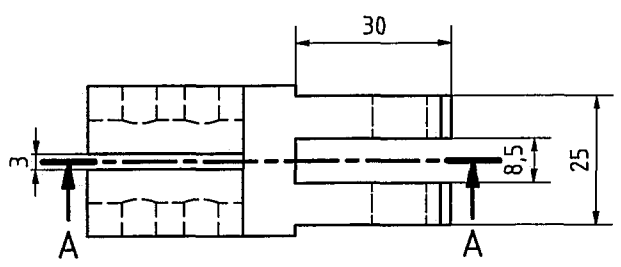
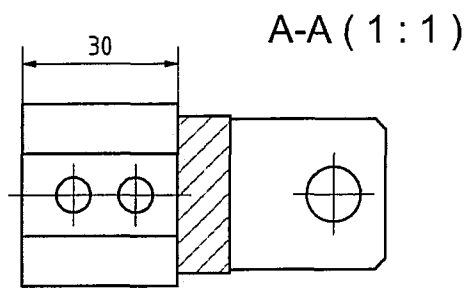
A-A (1:2)



Pos	Qty	Part Number	Description	Material	Mass
25	1	Z 096-250-1			0,938
24	1	Z 096-235-1			3,064
23	1	Z 096-230-3			0,802
22	1	Z 096-215-1			1,784
21	1	Z 096-205-3			2,120
20	1	E 096-262-1		1.4301 X5CrNi10-10 A2	0,206
19	1	E 096-251-1		1.4301 X5CrNi10-10 A2	0,101
18	1	E 096-246-1		Kst. - PE/UHMW - Weiß	0,010
17	1	E 096-244-1		1.4301 X5CrNi10-10 A2	0,107
16	2	E 096-238-1	Sechskantschraube	1.4301 X5CrNi10-10 A2	0,027
15	2	E 096-237-1		1.4301 X5CrNi10-10 A2	0,021
14	2	E 096-217-1		1.4301 X5CrNi10-10 A2	0,028
13	2	E 096-216-1		1.4301 X5CrNi10-10 A2	0,330
12	1	E 096-204-3		1.4301 X5CrNi10-10 A2	0,277
11	4	DIN 934 - M8	Sechskantmutter	1.4301 X5CrNi10-10 A2	0,005
10	2	DIN 934 - M8	Sechskantmutter	1.4301 X5CrNi10-10 A2	0,003
9	2	DIN 933 - M8 x 30	Sechskantschraube	1.4301 X5CrNi10-10 A2	0,017
8	2	DIN 912 - M6 x 40	Zylinderkopfschraube	1.4301 X5CrNi10-10 A2	0,012
7	2	DIN 912 - M6 x 20	Zylinderkopfschraube	1.4301 X5CrNi10-10 A2	0,007
6	2	DIN 7991 - M6x12	Senkschrauben mit Iskt.	1.4301 X5CrNi10-10 A2	0,003
5	6	DIN 127 - A 8	Federring	1.4301 X5CrNi10-10 A2	0,002
4	2	DIN 127 - A 6	Federring	1.4301 X5CrNi10-10 A2	0,001
3	2	DIN 127 - A 10	Federring	1.4301 X5CrNi10-10 A2	0,003
2	4	DIN 125 - A 8.4	Unterlegscheibe	1.4301 X5CrNi10-10 A2	0,002
1	2	DIN 125 - A 10.5	Unterlegscheibe	1.4301 X5CrNi10-10 A2	0,004

Parts List					
Allgemeintoleranz nach DIN ISO 2768-mH / Oberflächenbeschaffenheit nach DIN ISO 1302					
Datum	Name	Unterschrift	Index	Änderungen	Datum
2012-07-20	Lang Markus				
 International Atomic Energy Agency DEPARTMENT OF SAFEGUARDS IAEA - Expert for Control and Observation (ECA) UMS - Unauthorized Monitoring Systems Ltd.					
STÜCKLISTE					Z 096-200-3
Blattgröße A2					
Masse:		Gewicht:		Material:	
		10,463 kg			

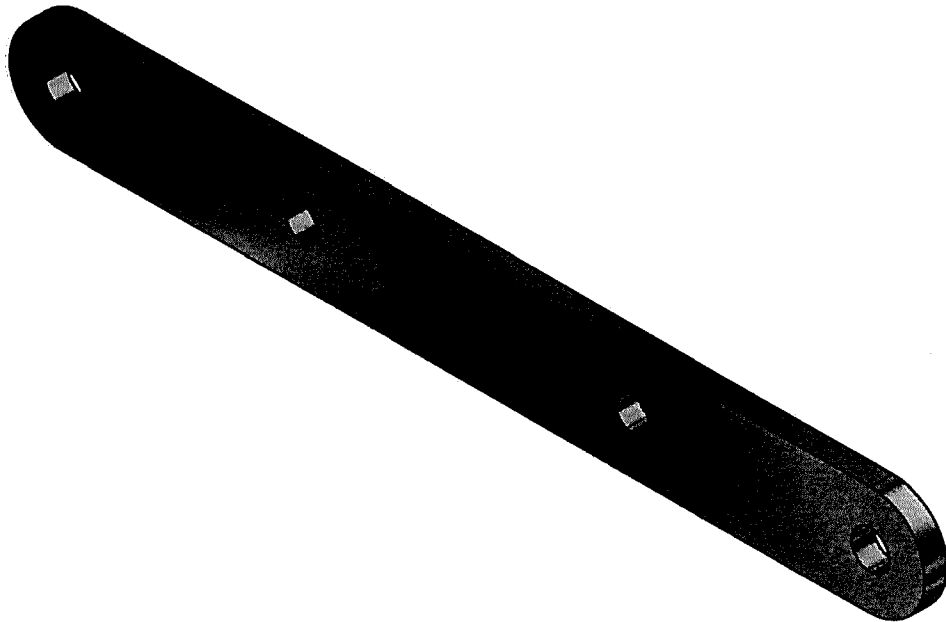
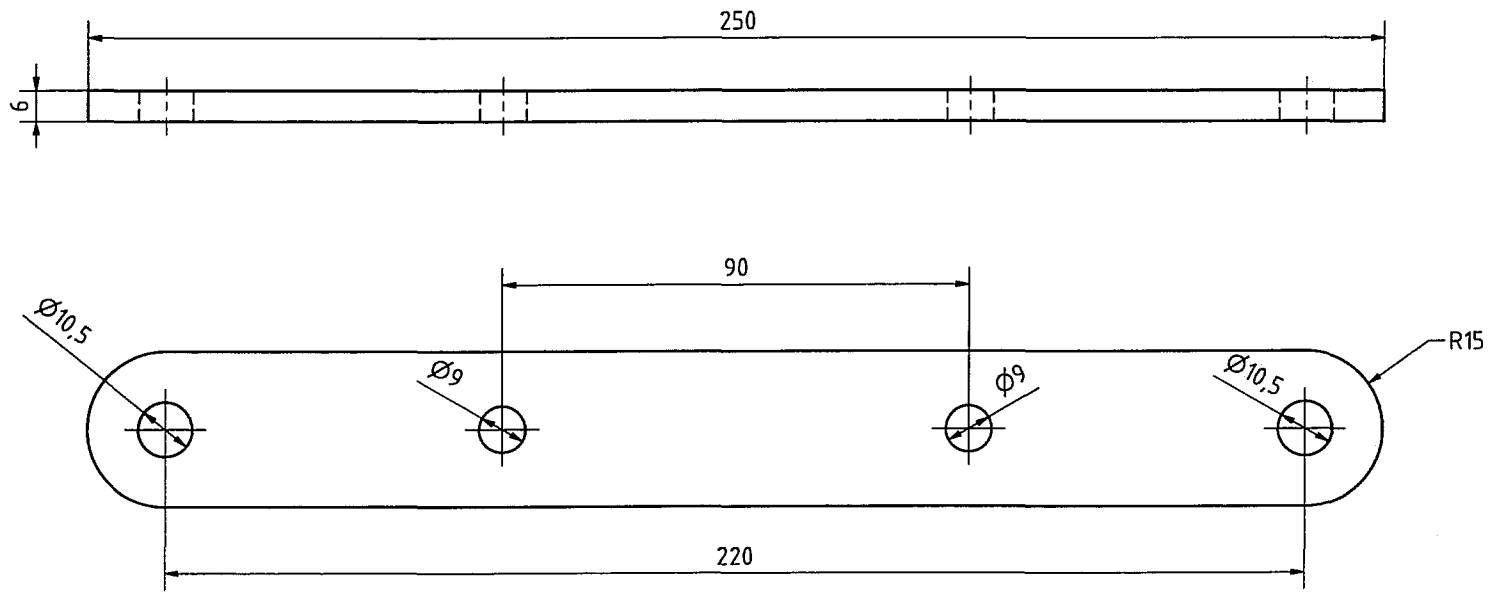




Allgemeintoleranz nach DIN ISO 2768-mH / Oberflächenbeschaffenheit nach DIN ISO 1302							
	Datum	Name	Unterschrift				
gezeichnet	2012-08-03	Lang Markus					
geprüft							
freigegeben				Index	Änderungen	Datum	Name
Stückzahl							
Blattgröße	A3						
Maßstab	Oberfläche: elektropoliert		Bemerkung:		Gewicht: 0.277 kg	Material: 1.4301 X5CrNi10-10 A2	



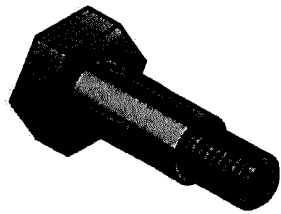
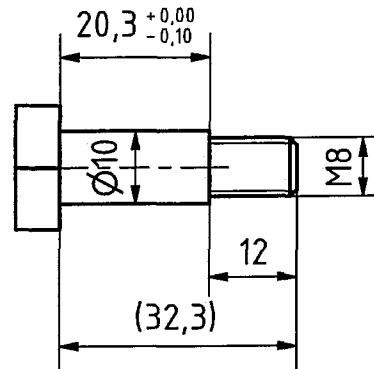
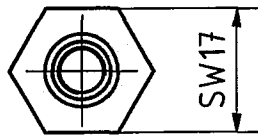
E 096-204-3




Allgemeintoleranz nach DIN ISO 2768-mH / Oberflächenbeschaffenheit nach DIN ISO 1302							
	Datum	Name	Unterschrift				
gezeichnet	2012-02-06	Markus Lang					
geprüft							
freigegeben				Index	Änderungen	Datum	Name
Stückzahl							
Blattgröße	A3						
Maßstab	Oberfläche: elektropoliert		Bemerkung:			Gewicht: 0.330 kg	Material: 1.4301 X5CrNi10-10 A2

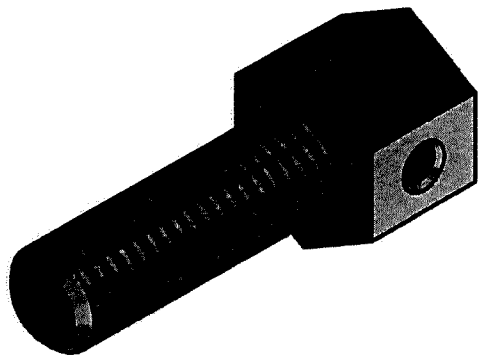
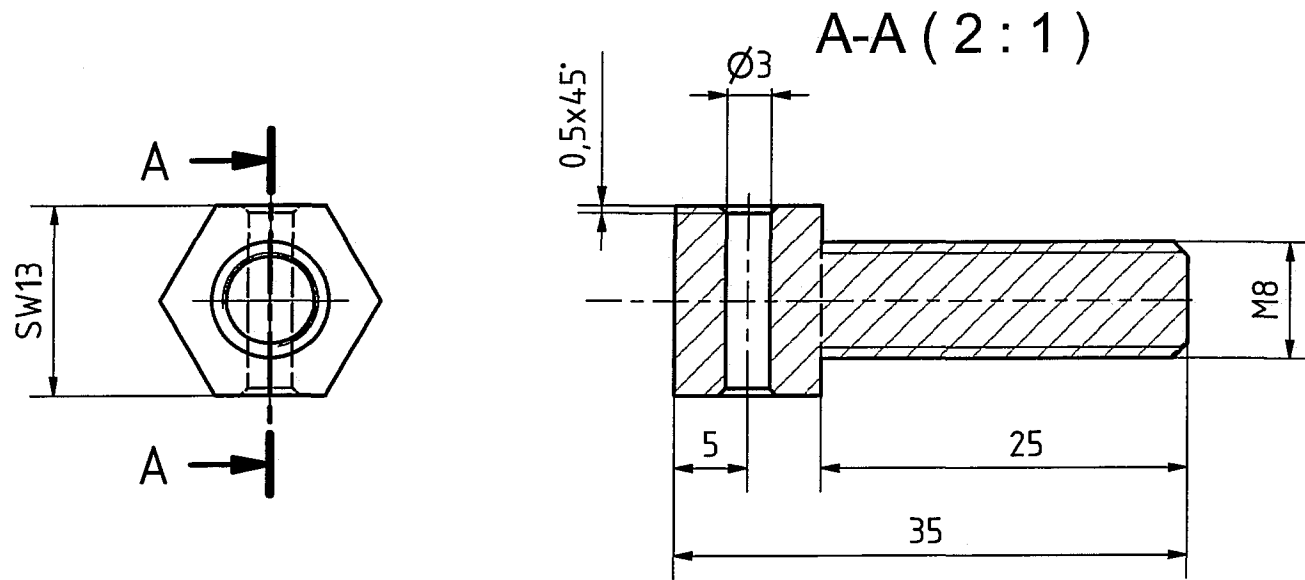



E 096-216-1



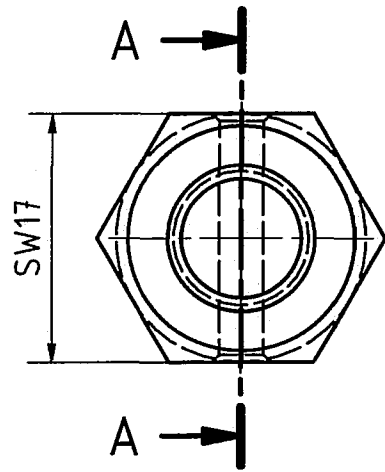
Allgemeintoleranz nach DIN ISO 2768-mH / Oberflächenbeschaffenheit nach DIN ISO 1302							
	Datum	Name	Unterschrift				
gezeichnet	2012-02-06	Markus Lang					
geprüft							
freigegeben				Index	Änderungen	Datum	Name
Stückzahl							 <b>IAEA</b> International Atomic Energy Agency <b>DEPARTMENT OF SAFEGUARDS</b> TAU - Section for Attended and Unattended NDA UMS - Unattended Monitoring Systems Unit
Blattgröße A4							
Maßstab	Oberfläche: elektropoliert			Bemerkung:		Gewicht: 0.029 kg	Material: 1.4301 X5CrNi10-10 A2

E 096-217-1

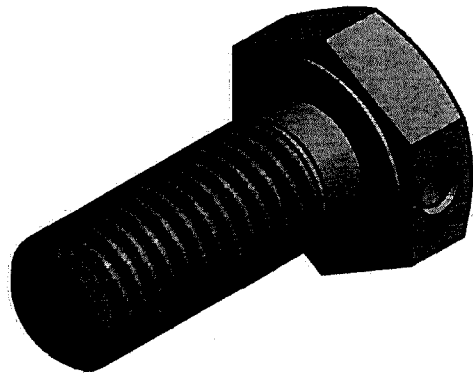
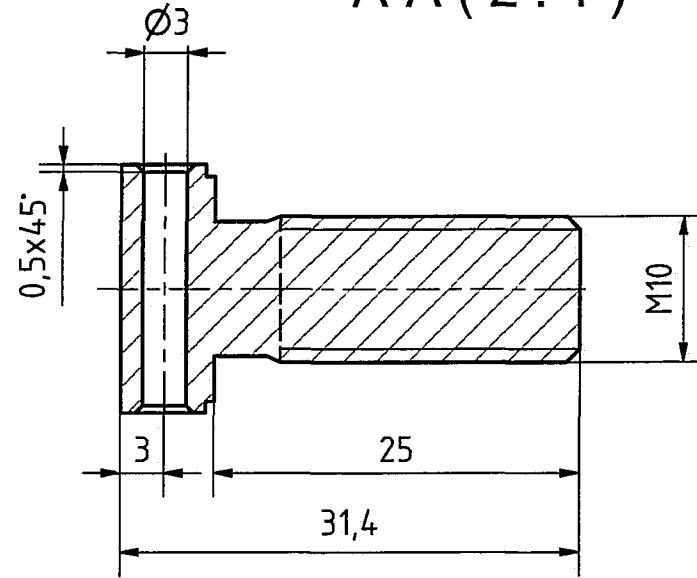


Allgemeintoleranz nach DIN ISO 2768-mH / Oberflächenbeschaffenheit nach DIN ISO 1302							
	Datum	Name	Unterschrift				
gezeichnet	2012-02-07	Markus Lang					
geprüft							
freigegeben				Index	Änderungen	Datum	Name
Stückzahl							 <b>IAEA</b> International Atomic Energy Agency <b>DEPARTMENT OF SAFEGUARDS</b> TAU - Section for Attended and Unattended NDA UMS - Unattended Monitoring Systems Unit
Blattgröße							
A4							
Maßstab	Oberfläche: elektropoliert			Bemerkung:		Gewicht: 0.021 kg	Material: 1.4301 X5CrNi10-10 A2


E 096-237-1



A-A (2:1)

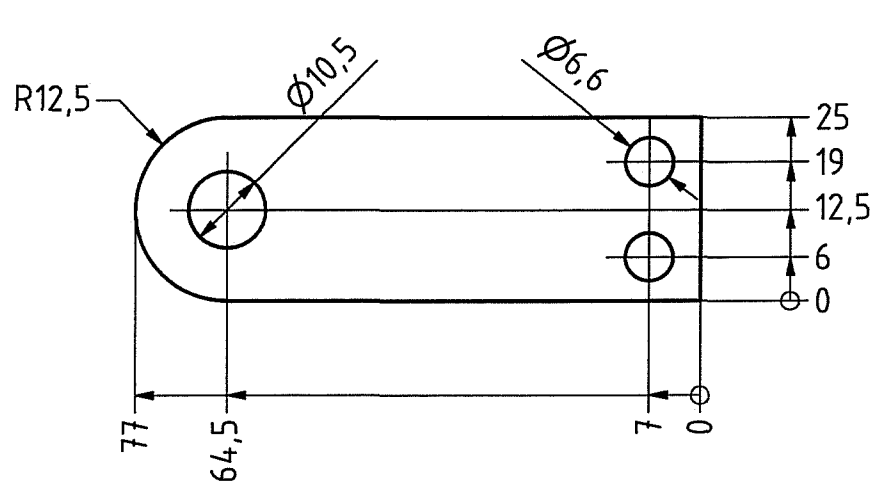


Allgemeintoleranz nach DIN ISO 2768-mH / Oberflächenbeschaffenheit nach DIN ISO 1302


	Datum	Name	Unterschrift				
gezeichnet	2012-02-07	Markus Lang					
geprüft							
freigegeben				Index	Änderungen	Datum	Name
Stückzahl							 <b>IAEA</b> International Atomic Energy Agency <b>DEPARTMENT OF SAFEGUARDS</b> TAU - Section for Attended and Unattended NDA UMS - Unattended Monitoring Systems Unit
Blattgröße							
A4							
Maßstab	Oberfläche:			Bemerkung:		Gewicht: 0.027 kg	Material: Edelstahl

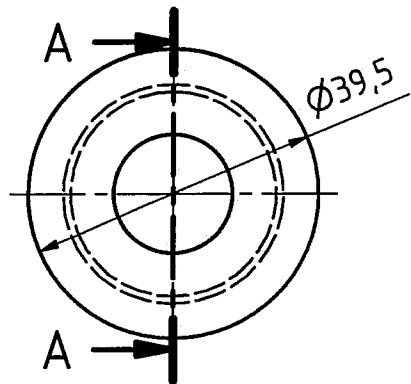
E 096-238-1



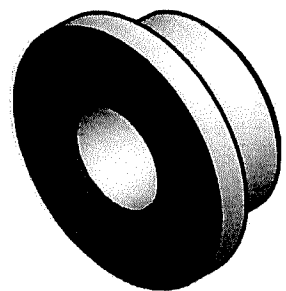
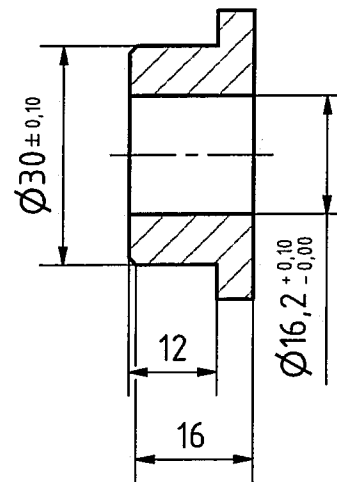



Allgemeintoleranz nach DIN ISO 2768-mH / Oberflächenbeschaffenheit nach DIN ISO 1302

	Datum	Name	Unterschrift					
gezeichnet	2012-08-01	Lang Markus						
geprüft								
freigegeben				Index	Änderungen	Datum	Name	
Stückzahl							 <b>IAEA</b> International Atomic Energy Agency <b>DEPARTMENT OF SAFEGUARDS</b> TAU - Section for Attended and Unattended NDA UMS - Unattended Monitoring Systems Unit	
1								
Blattgröße							E 096-244-1	
A4								
Maßstab	Oberfläche: elektropoliert			Bemerkung:		Gewicht:	Material:	
						0.107 kg	1.4301 X5CrNi10-10 A2	

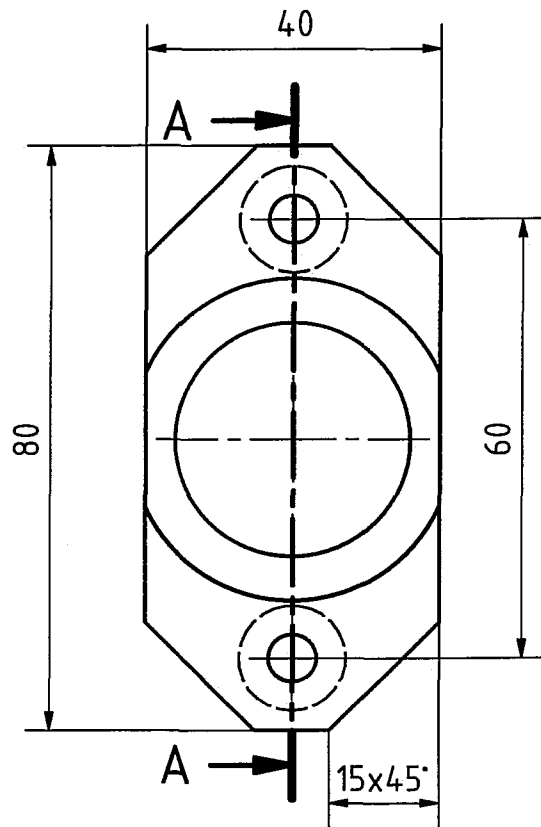


A-A ( 1 : 1 )

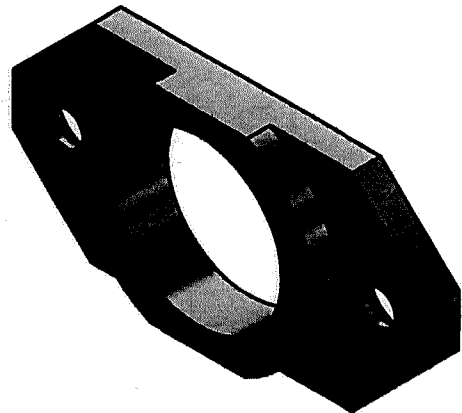
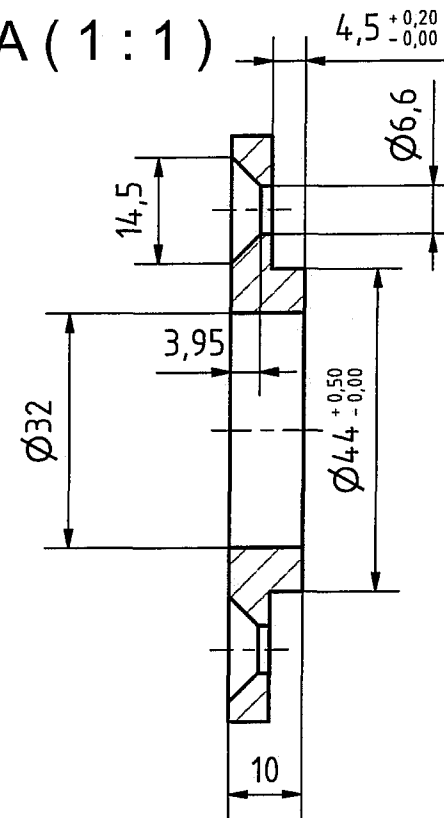



Allgemeintoleranz nach DIN ISO 2768-mH / Oberflächenbeschaffenheit nach DIN ISO 1302							
	Datum	Name	Unterschrift				
gezeichnet	2012-08-03	Lang Markus					
geprüft							
freigegeben				Index	Änderungen	Datum	Name
Stückzahl							 <b>IAEA</b> International Atomic Energy Agency <b>DEPARTMENT OF SAFEGUARDS</b> TAU - Section for Attended and Unattended NDA UMS - Unattended Monitoring Systems Unit
Blattgröße							
A4							
Maßstab	Oberfläche:		Bemerkung:		Gewicht:		Material:
					0.010 kg		Kst - PE/UHMW - Weiß

E 096-246-1



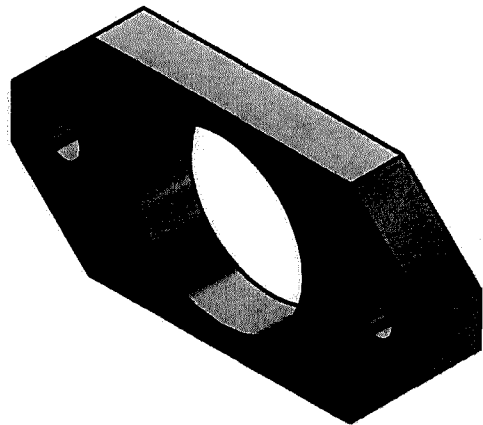
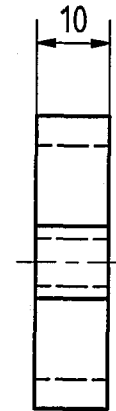
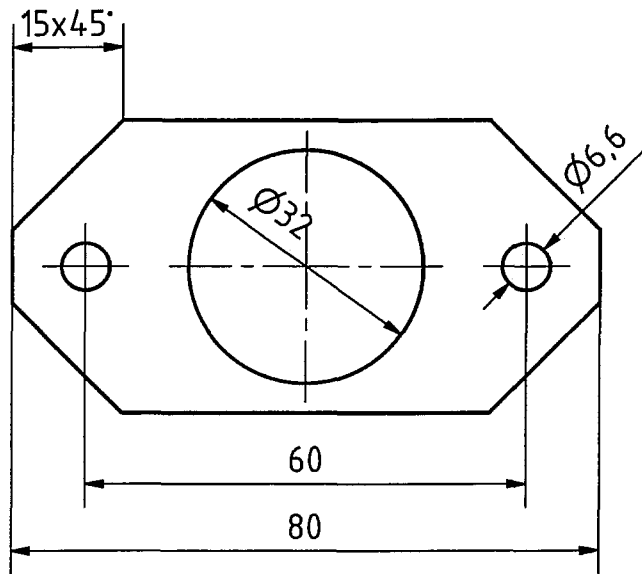
A-A (1:1)




Allgemeintoleranz nach DIN ISO 2768-mH / Oberflächenbeschaffenheit nach DIN ISO 1302							
	Datum	Name	Unterschrift				
gezeichnet	2012-09-12	Lang Markus					
geprüft							
freigegeben				Index	Änderungen	Datum	Name
Stückzahl							 <b>IAEA</b> International Atomic Energy Agency <b>DEPARTMENT OF SAFEGUARDS</b> TAU - Section for Attended and Unattended NDA UMS - Unattended Monitoring Systems Unit
Blattgröße							
A4							
Maßstab	Oberfläche: elektropoliert			Bemerkung:		Gewicht: 0.101 kg	Material: 1.4301 X5CrNi10-10 A2

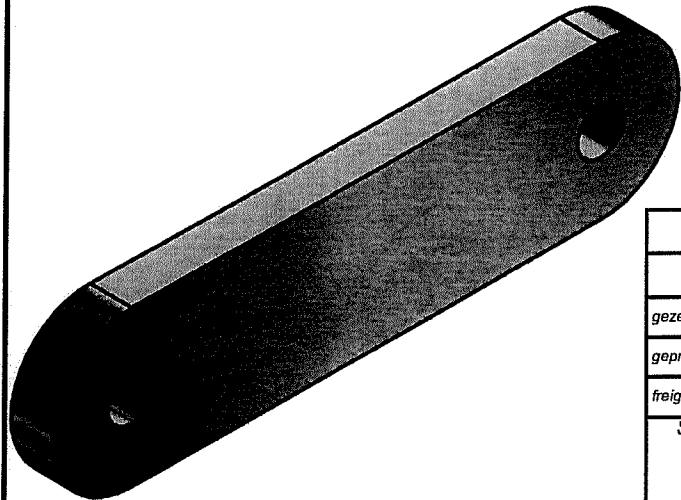
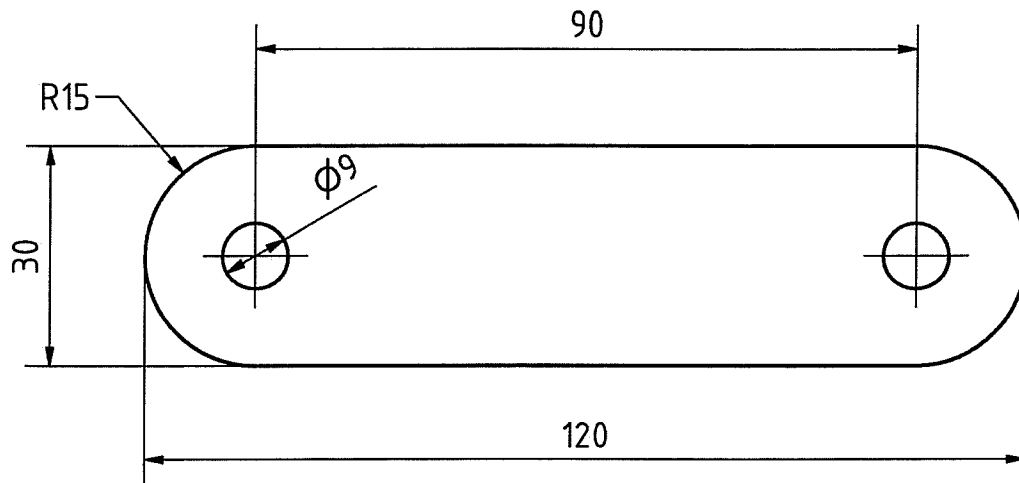
E 096-251-1






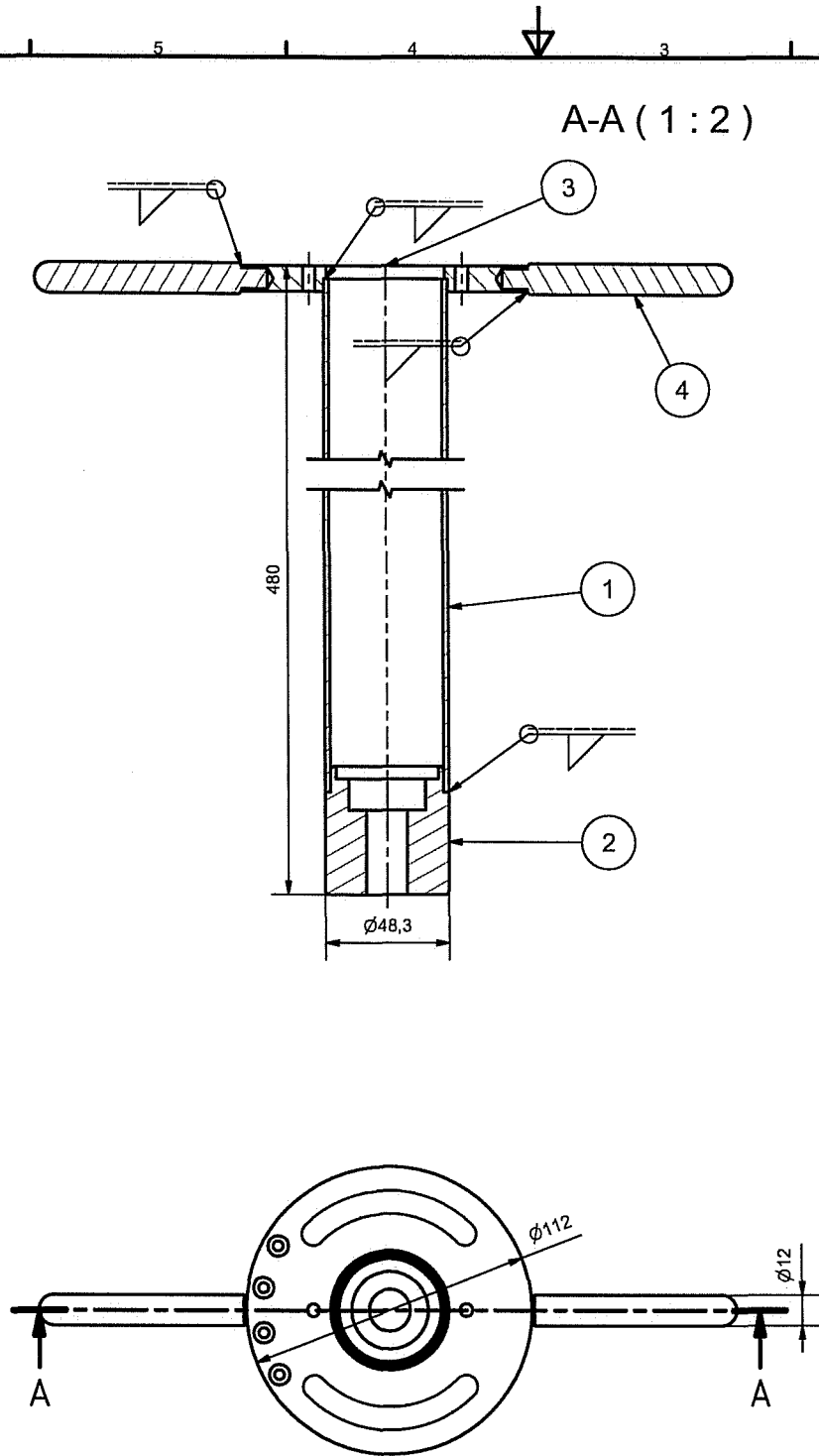
Allgemeintoleranz nach DIN ISO 2768-mH / Oberflächenbeschaffenheit nach DIN ISO 1302							
	Datum	Name	Unterschrift				
gezeichnet	2012-09-12	Lang Markus					
geprüft							
freigegeben				Index	Änderungen	Datum	Name
Stückzahl							 <b>IAEA</b> International Atomic Energy Agency <b>DEPARTMENT OF SAFEGUARDS</b> TAU - Section for Attended and Unattended NDA UMS - Unattended Monitoring Systems Unit
Blattgröße							
A4							
Maßstab	Oberfläche:			Bemerkung:		Gewicht:	Material:
						0.148 kg	1.4301 X5CrNi10-10 A2

E 096-251-1



Allgemeintoleranz nach DIN ISO 2768-mH / Oberflächenbeschaffenheit nach DIN ISO 1302							
	Datum	Name	Unterschrift				
gezeichnet	2012-09-12	Lang Markus					
geprüft							
freigegeben				Index	Änderungen	Datum	Name
Stückzahl							 <b>IAEA</b> International Atomic Energy Agency <b>DEPARTMENT OF SAFEGUARDS</b> TAU - Section for Attended and Unattended NDA UMS - Unattended Monitoring Systems Unit
Blattgröße							
A4							
Maßstab	Oberfläche: elektropoliert			Bemerkung:		Gewicht: 0.206 kg	Material: 1.4301 X5CrNi10-10 A2


E 096-252-1

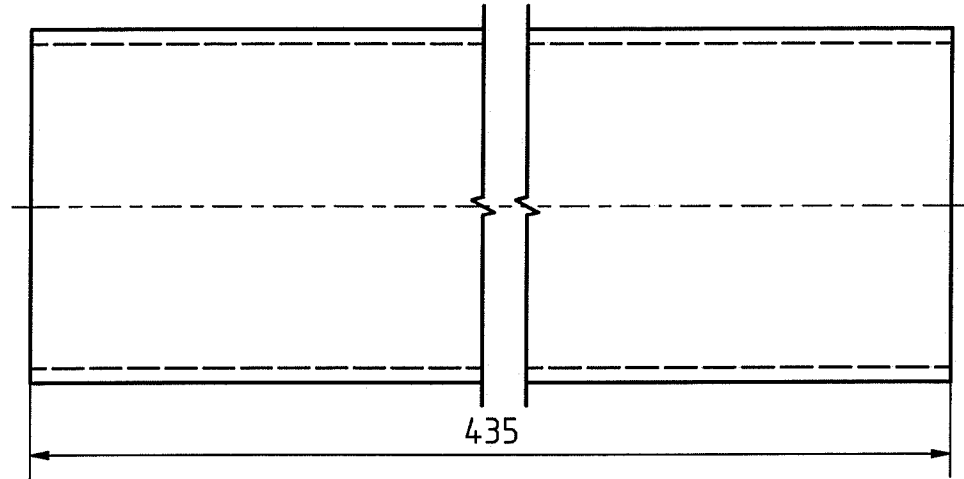
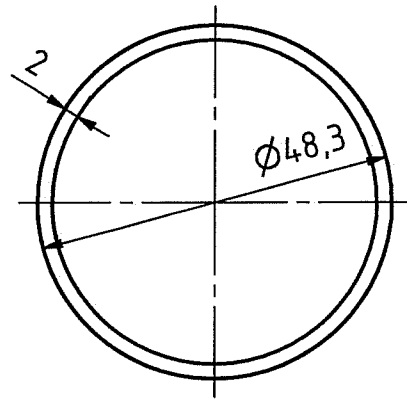



4	2	E 096-211-1		1.4301 X5CrNi10-10 A2	0,073
3	1	E 096-209-3		1.4301 X5CrNi10-10 A2	0,516
2	1	E 096-202-3		1.4301 X5CrNi10-10 A2	0,463
1	1	E 096-201-3		1.4301 X5CrNi10-10 A2	0,995
Pos	Qty	Part Number	Description	Material	Mass

Parts List

Allgemeintoleranz nach DIN ISO 2768-mH / Oberflächenbeschaffenheit nach DIN ISO 1302

gezeichnet	Datum	Name	Unterschrift					 <b>IAEA</b> International Atomic Energy Agency <b>DEPARTMENT OF SAFEGUARDS</b> TAU - Section for Attended and Unattended NDA UMS - Unattended Monitoring Systems Unit
geprüft	2012-07-20	Lang Markus						
freigegeben				Index	Änderungen	Datum	Name	
Stückzahl								
Blattgröße	Z 096-205-3							
A3								
Maßstab	Oberfläche: elektroplottiert		Bemerkung:		Gewicht: 2.120 kg	Material:		



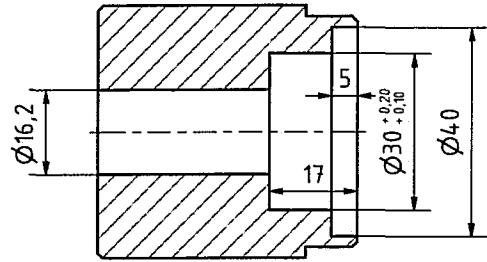
Allgemeintoleranz nach DIN ISO 2768-mH / Oberflächenbeschaffenheit nach DIN ISO 1302							
	Datum	Name	Unterschrift				
gezeichnet	2012-08-03	Lang Markus					
geprüft							
freigegeben				Index	Änderungen	Datum	Name
Stückzahl							 <b>IAEA</b> International Atomic Energy Agency <b>DEPARTMENT OF SAFEGUARDS</b> TAU - Section for Attended and Unattended NDA UMS - Unattended Monitoring Systems Unit
Blattgröße							
A4							
Maßstab	Oberfläche:		Bemerkung:		Gewicht:	Material:	
					0.995 kg	1.4301 X5CrNi10-10 A2	


**IAEA**  
 International Atomic Energy Agency  
**DEPARTMENT OF SAFEGUARDS**  
 TAU - Section for Attended and Unattended NDA  
 UMS - Unattended Monitoring Systems Unit

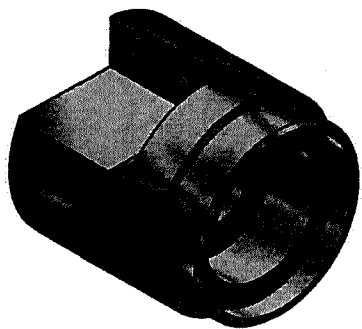
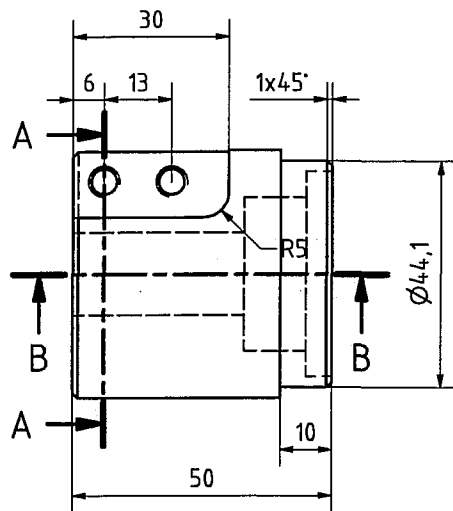
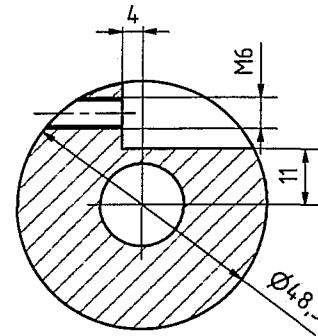
**E 096-201-3**


Gewicht: 0.995 kg  
 Material: 1.4301 X5CrNi10-10 A2

B-B (1:1)

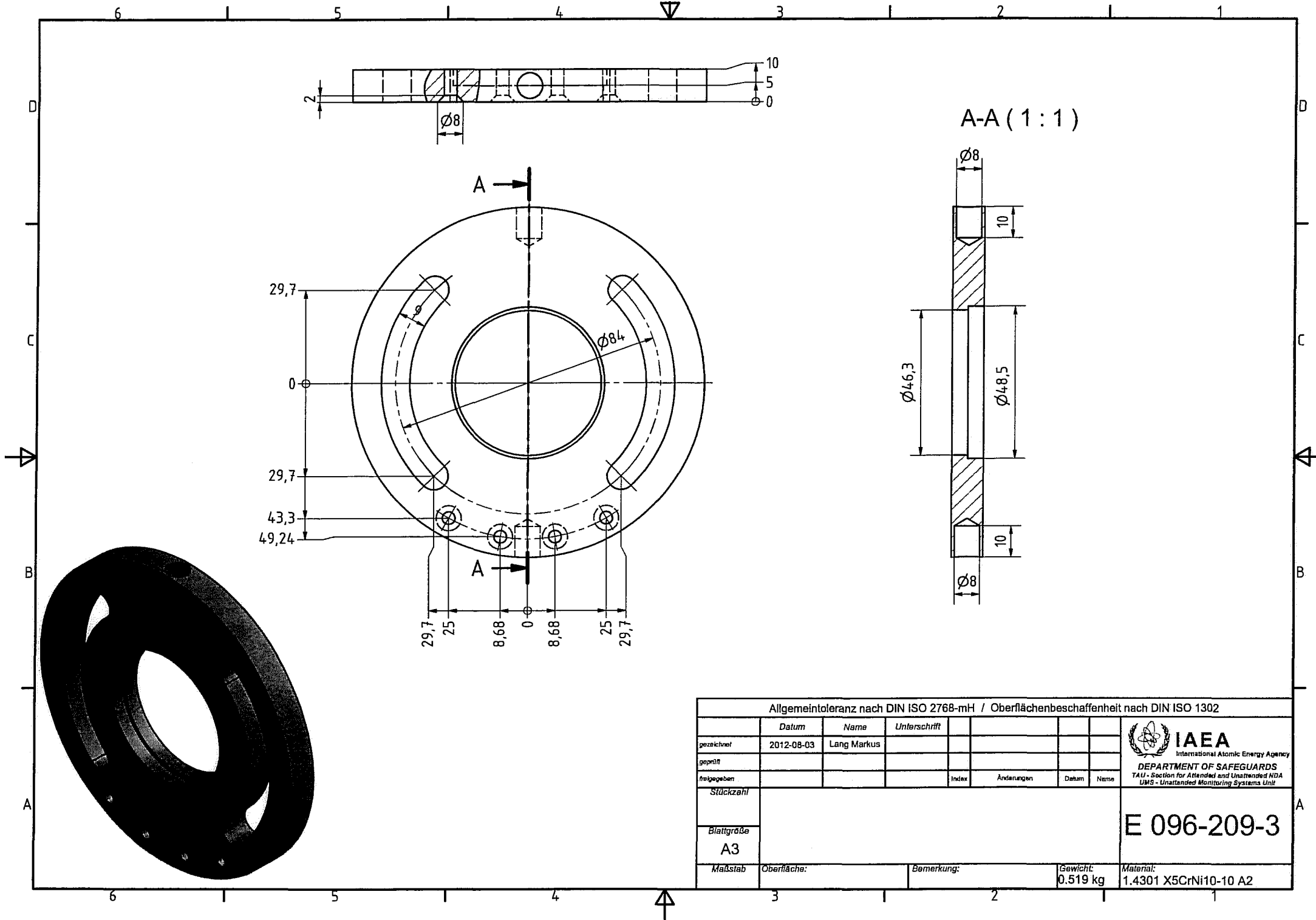


A-A (1:1)



Allgemeintoleranz nach DIN ISO 2768-mH / Oberflächenbeschaffenheit nach DIN ISO 1302						
	Datum	Name	Unterschrift			
gezeichnet	2012-08-03	Lang Markus				
geprüft						
freigegeben				Index	Änderungen	Datum Name
Stückzahl						 <b>IAEA</b> International Atomic Energy Agency DEPARTMENT OF SAFEGUARDS TAU - Section for Attended and Unattended NDA UMS - Unattended Monitoring Systems Unit
Blattgröße						
A3						
Maßstab	Oberfläche:		Bemerkung:		Gewicht:	Material:
					0.463 kg	1.4301 X5CrNi10-10 A2

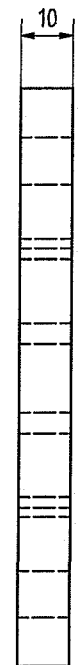
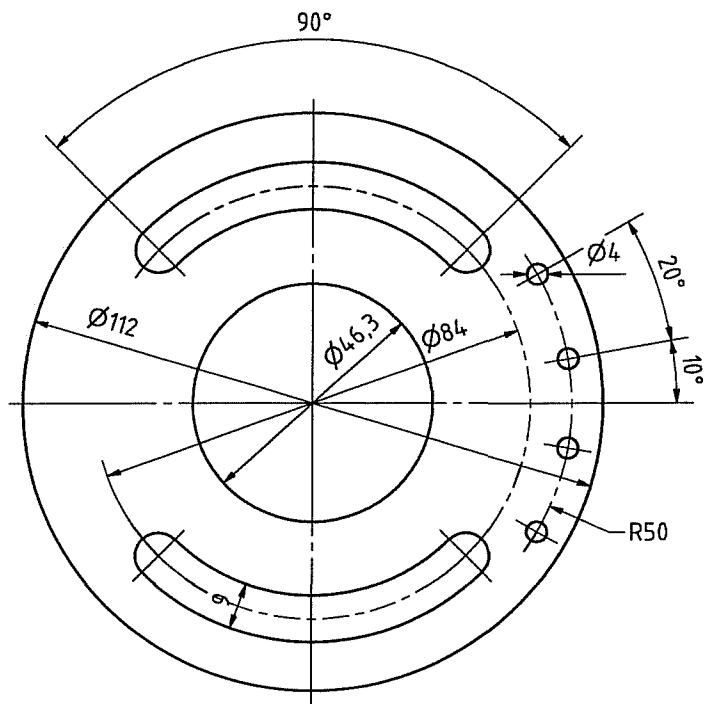
E 096-202-3



Allgemeintoleranz nach DIN ISO 2768-mH / Oberflächenbeschaffenheit nach DIN ISO 1302							
	Datum	Name	Unterschrift				
gezeichnet	2012-08-03	Lang Markus					
geprüft							
freigegeben				Index	Änderungen	Datum	Name
Stückzahl							
Blattgröße							
A3							
Maßstab	Oberfläche:		Bemerkung:		Gewicht:	Material:	
					0.519 kg	1.4301 X5CrNi10-10 A2	

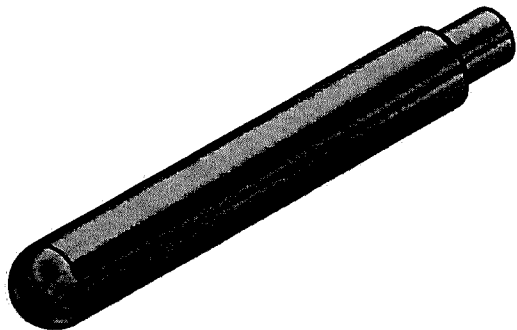
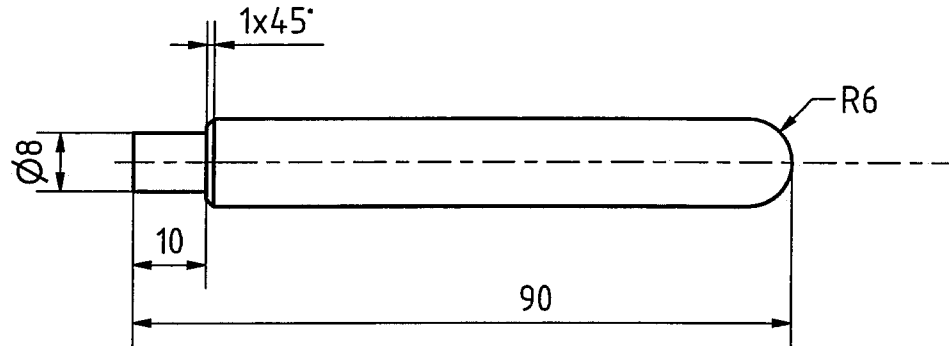
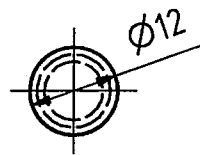


E 096-209-3



Allgemeintoleranz nach DIN ISO 2768-mH / Oberflächenbeschaffenheit nach DIN ISO 1302								
	Datum	Name	Unterschrift					
gezeichnet	2012-08-01	Lang Markus						
geprüft								
freigegeben				Index	Änderungen	Datum	Name	
Stückzahl	1						E 096-209-3	
Blattgröße	A3							
Maßstab	Oberfläche:		Bemerkung:		Gewicht:	Material:		
					0.535 kg	1.4301 X5CrNi10-10 A2		



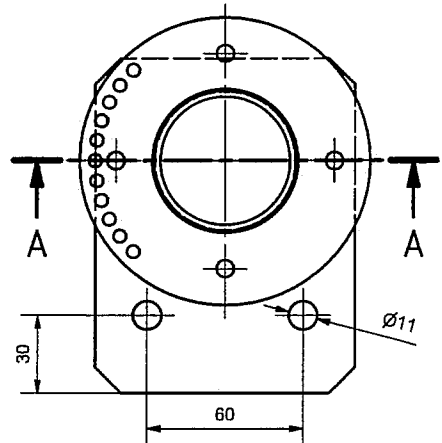
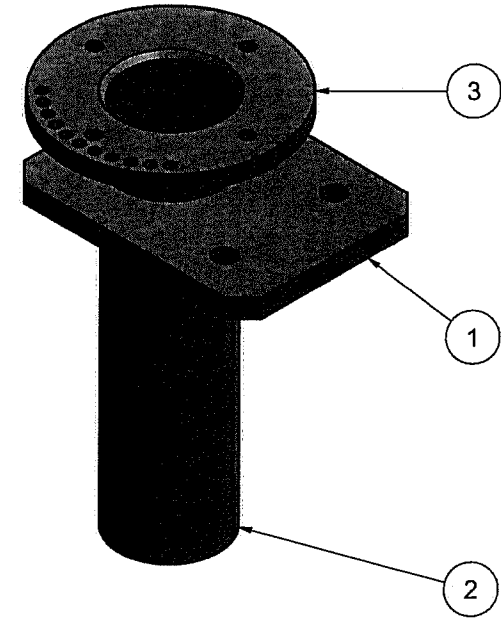
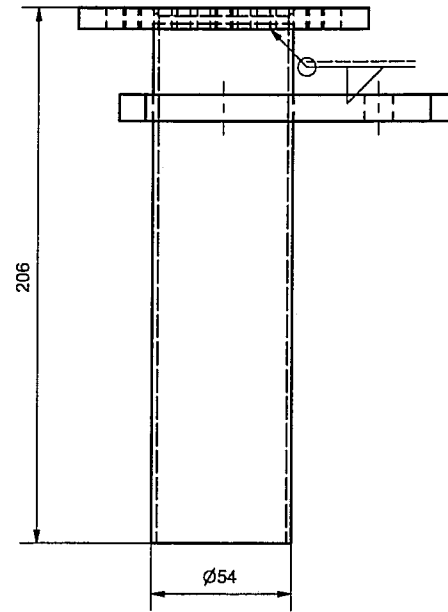
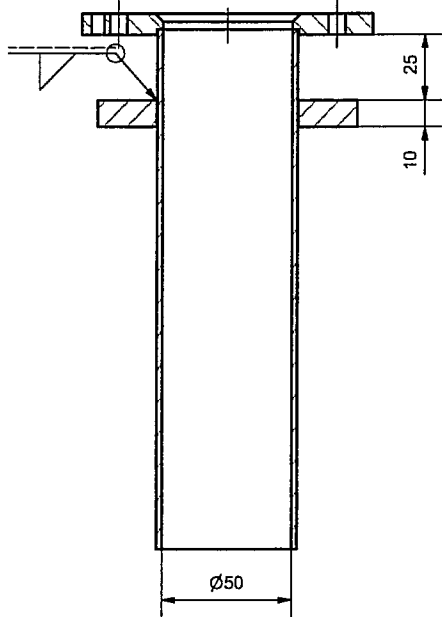


Allgemeintoleranz nach DIN ISO 2768-mH / Oberflächenbeschaffenheit nach DIN ISO 1302							
	Datum	Name	Unterschrift				
gezeichnet	2012-02-07	Markus Lang					
geprüft							
freigegeben				Index	Änderungen	Datum	Name
Stückzahl							E 096-211-1
Blattgröße	A4						
Maßstab	Oberfläche:			Bemerkung:		Gewicht:	Material:
						0.073 kg	1.4301 X5CrNi10-10 A2





A-A (1:2)




Pos	Qty	Part Number	Description	Material	Mass
3	1	E 096-208-1		1.4301 X5CrNi10-10 A2	0,462
2	1	E 096-207-1		1.4301 X5CrNi10-10 A2	0,514
1	1	E 096-206-1		1.4301 X5CrNi10-10 A2	0,808

Parts List

Allgemeintoleranz nach DIN ISO 2768-mH / Oberflächenbeschaffenheit nach DIN ISO 1302

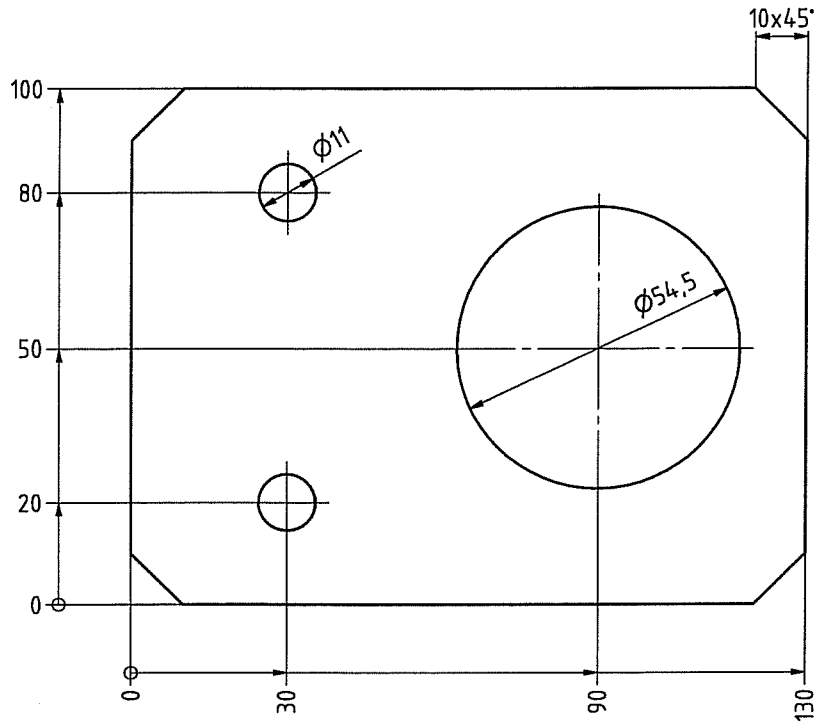
	Datum	Name	Unterschrift	Index	Änderungen	Datum	Name
gezeichnet	2012-02-06	Markus Lang					
geprüft							
hergegeben							


Stückzahl	
Blattgröße	
A3	
Maßstab	
Oberfläche: elektropoliert	
Bemerkung:	
Gewicht:	1.784 kg
Material:	



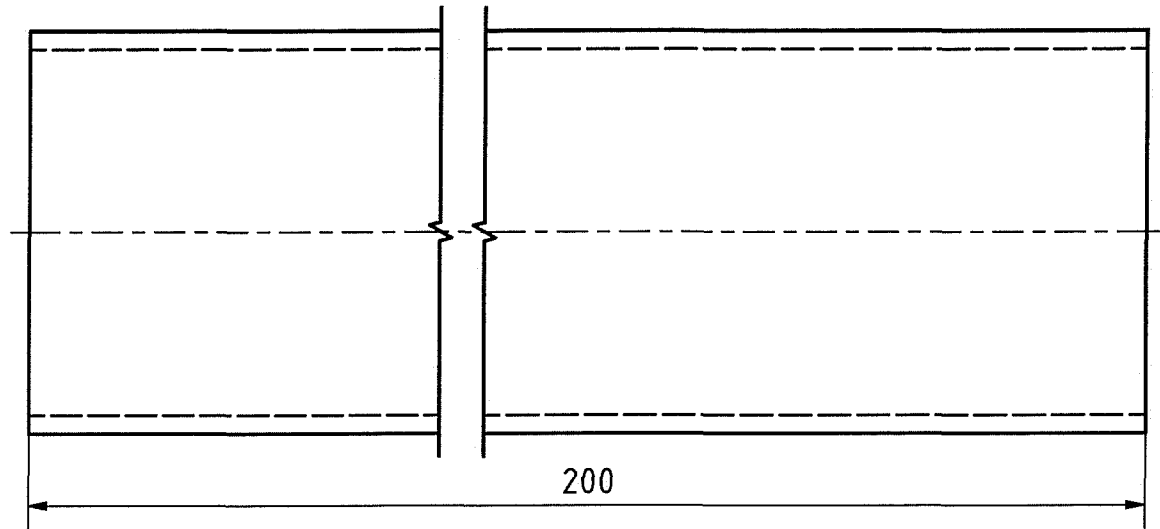
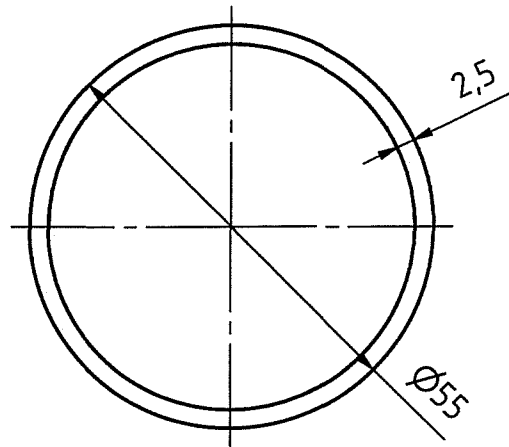
**IAEA**  
International Atomic Energy Agency  
DEPARTMENT OF SAFEGUARDS  
TAU - Section for Attended and Unattended NDA  
UMS - Unattended Monitoring Systems Unit


Z 096-215-1



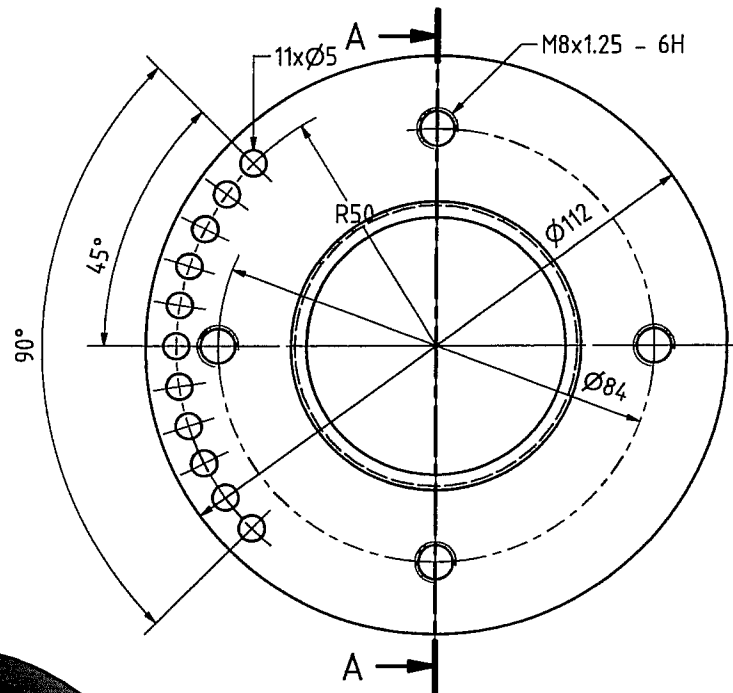
Allgemeintoleranz nach DIN ISO 2768-mH / Oberflächenbeschaffenheit nach DIN ISO 1302							
	Datum	Name	Unterschrift				
gezeichnet	2012-02-07	Markus Lang					
geprüft							
freigegeben				Index	Änderungen	Datum	Name
Stückzahl							 <b>IAEA</b> International Atomic Energy Agency <b>DEPARTMENT OF SAFEGUARDS</b> TAU - Section for Attended and Unattended MDA UMS - Unattended Monitoring Systems Unit
Blattgröße							
A3							
Maßstab	Oberfläche:		Bemerkung:		Gewicht:	Material:	
					0.808 kg	1.4301 X5CrNi10-10 A2	

E 096-206-1

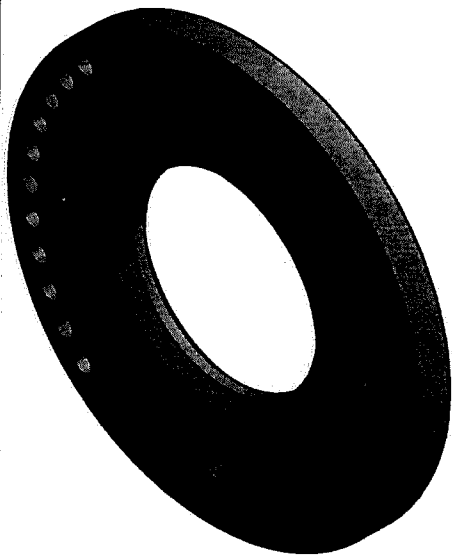
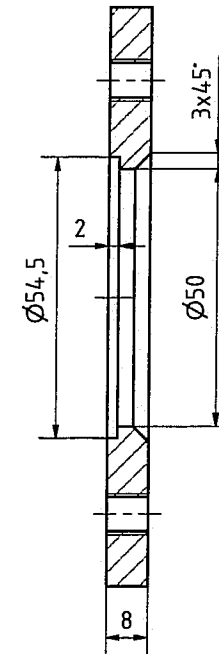


Allgemeintoleranz nach DIN ISO 2768-mH / Oberflächenbeschaffenheit nach DIN ISO 1302							
	Datum	Name	Unterschrift				
gezeichnet	2012-02-07	Markus Lang					
geprüft							
freigegeben				Index	Änderungen	Datum	Name
Stückzahl							 <b>IAEA</b> International Atomic Energy Agency <b>DEPARTMENT OF SAFEGUARDS</b> TAU - Section for Attended and Unattended NDA UMS - Unattended Monitoring Systems Unit
Blattgröße							
A4							
Maßstab	Oberfläche:		Bemerkung:		Gewicht:	Material:	
					0.648 kg	1.4301 X5CrNi10-10 A2	

E 096-207-1



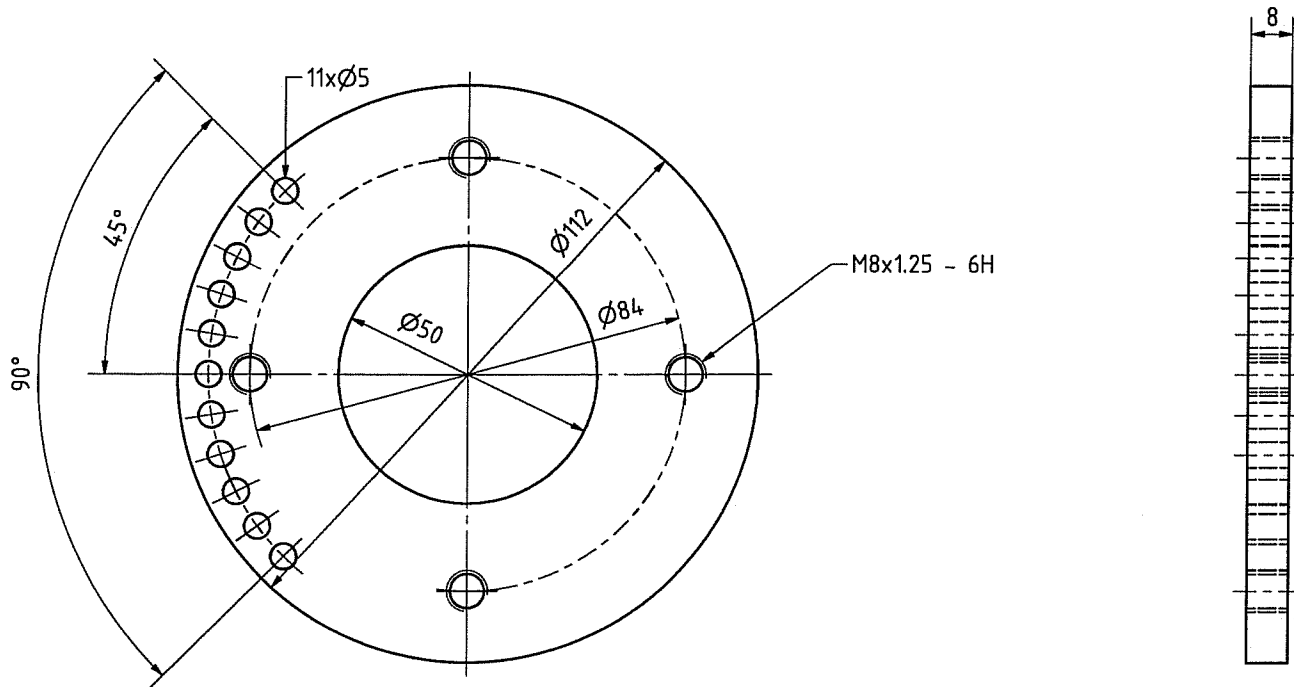
A-A (1:1)




Allgemeintoleranz nach DIN ISO 2768-mH / Oberflächenbeschaffenheit nach DIN ISO 1302							
	Datum	Name	Unterschrift				
gezeichnet	2012-02-07	Markus Lang					
geprüft							
freigegeben				Index	Änderungen	Datum	Name
Stückzahl							
Blattgröße							
A3							
Maßstab	Oberfläche:		Bemerkung:		Gewicht:	Material:	
					0.462 kg	1.4301 X5CrNi10-10 A2	



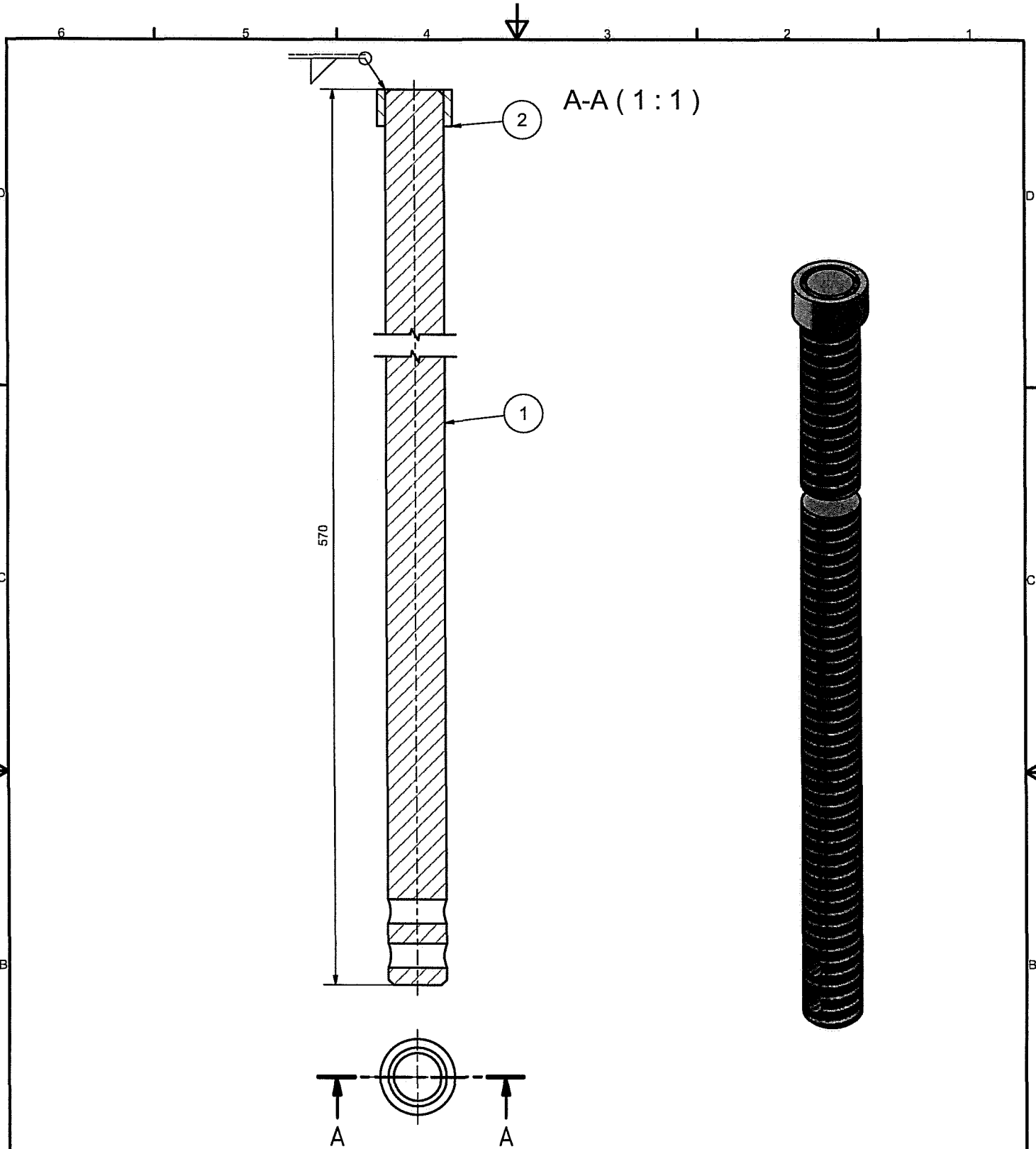
E 096-208-1



Allgemeintoleranz nach DIN ISO 2768-mH / Oberflächenbeschaffenheit nach DIN ISO 1302							
	Datum	Name	Unterschrift				
gezeichnet	2012-02-08	Markus Lang					
geprüft							
freigegeben				Index	Änderungen	Datum	Name
Stückzahl							 <b>IAEA</b> International Atomic Energy Agency <b>DEPARTMENT OF SAFEGUARDS</b> TAU - Section for Attended and Unattended NDA UMS - Unattended Monitoring Systems Unit
Blattgröße							
A3							
Maßstab	Oberfläche:	Bemerkung:		Gewicht:	Material:		
				0.474 kg	1.4301 X5CrNi10-10 A2		


**IAEA**  
 International Atomic Energy Agency  
**DEPARTMENT OF SAFEGUARDS**  
 TAU - Section for Attended and Unattended NDA  
 UMS - Unattended Monitoring Systems Unit

**E 096-208-1**



2	1	E 096-245-1		1.4301 X5CrNi10-10 A2	0,010
1	1	E 096-231-3		1.4301 X5CrNi10-10 A2	0,892
Pos	Qty	Part Number	Description	Material	Mass

Parts List

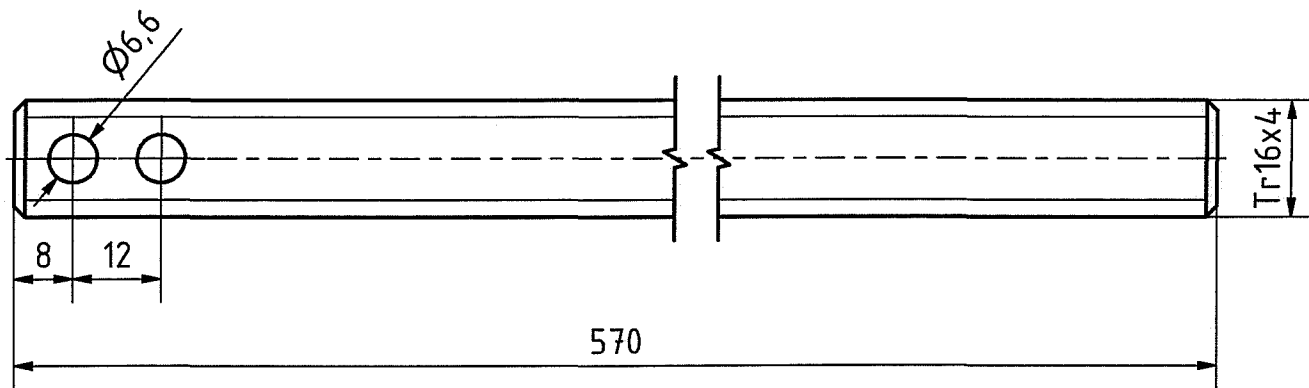
Allgemeintoleranz nach DIN ISO 2768-mH / Oberflächenbeschaffenheit nach DIN ISO 1302

gezeichnet	Datum	Name	Unterschrift				
geprüft	2012-07-20	Lang Markus					
freigegeben				Index	Änderungen	Datum	Name
Stückzahl							
Blattgröße							
A3							
Maßstab	Oberfläche: elektropoliert	Bemerkung:				Gewicht: 0,902 kg	Material:




**IAEA**  
International Atomic Energy Agency  
**DEPARTMENT OF SAFEGUARDS**  
TAU - Section for Attended and Unattended NDA  
UMS - Unattended Monitoring Systems Unit

Z 096-230-3

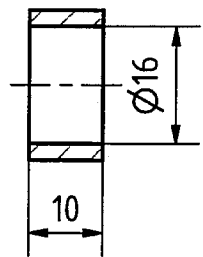
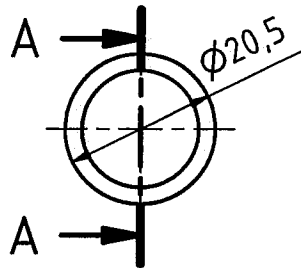


Material: Haberkorn TeileNr. 553904

Allgemeintoleranz nach DIN ISO 2768-mH / Oberflächenbeschaffenheit nach DIN ISO 1302							
	Datum	Name	Unterschrift				
gezeichnet	2012-08-03	Lang Markus					
geprüft							
freigegeben				Index	Änderungen	Datum	Name
Stückzahl							 <b>IAEA</b> International Atomic Energy Agency <b>DEPARTMENT OF SAFEGUARDS</b> TAU - Section for Attended and Unattended NDA UMS - Unattended Monitoring Systems Unit
Blattgröße							
A4							
Maßstab	Oberfläche:		Bemerkung:		Gewicht:	Material:	
					0.892 kg	1.4301 X5CrNi10-10 A2	

E 096-231-3

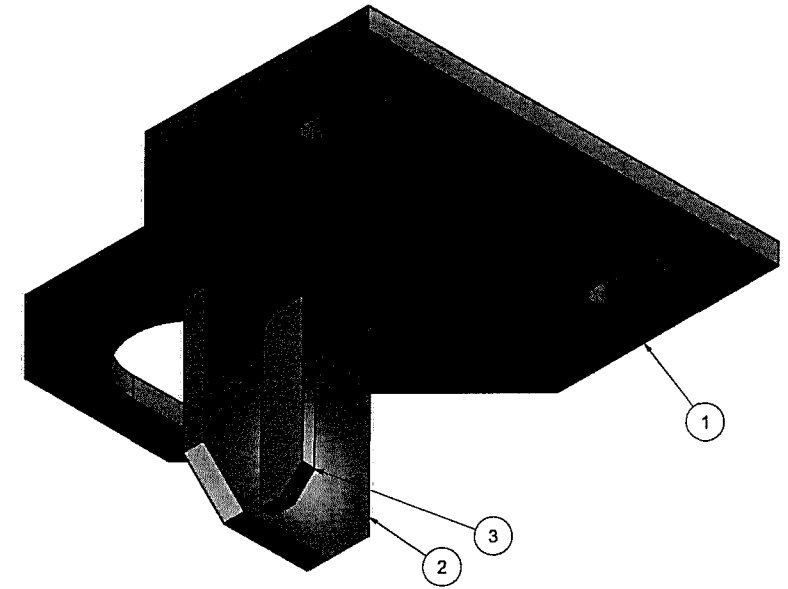
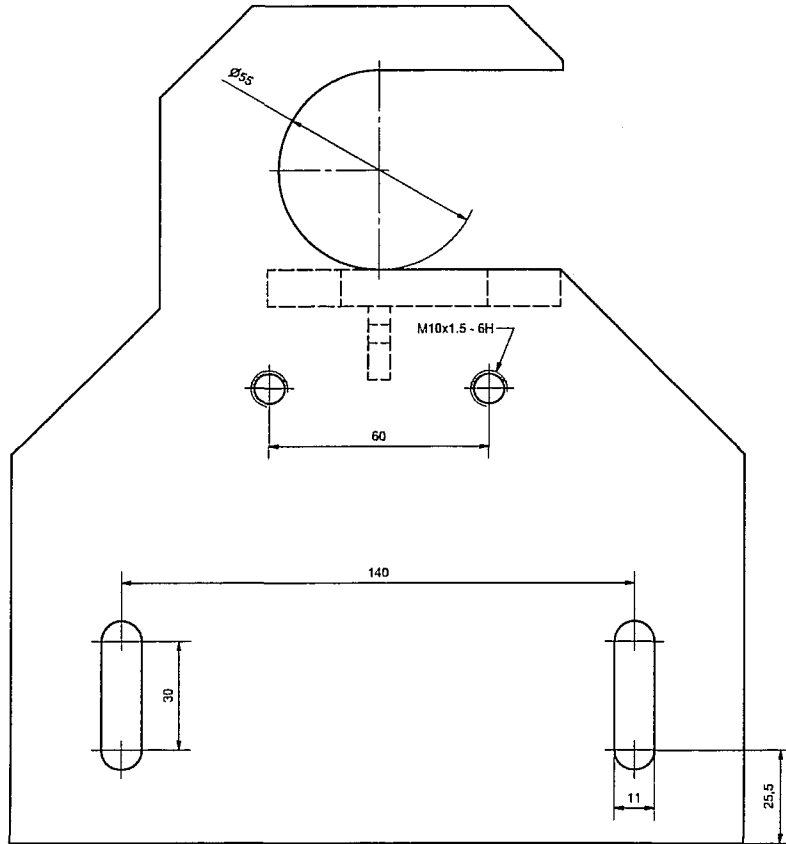
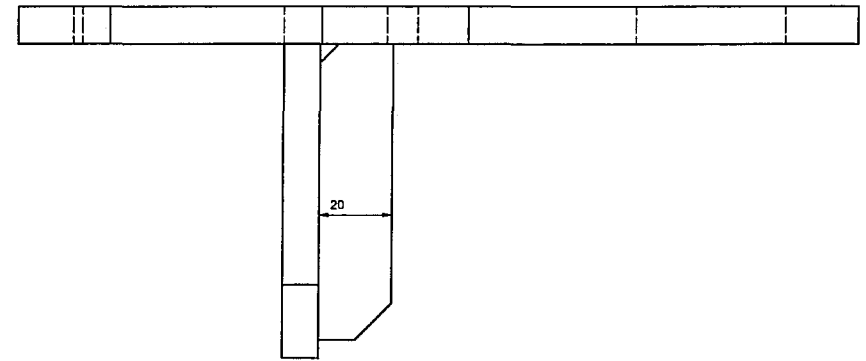
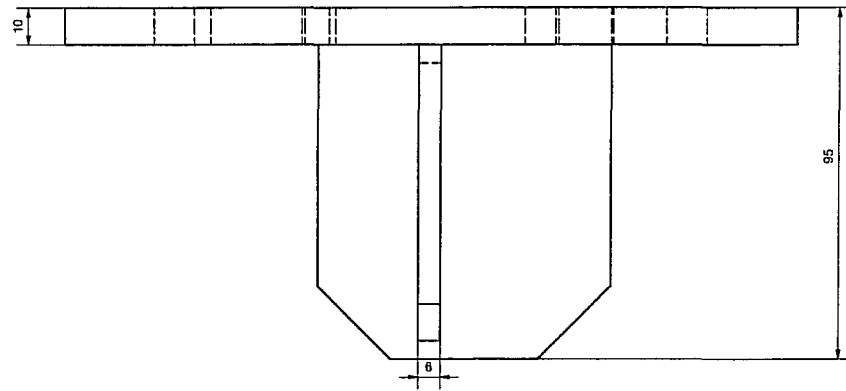
A-A ( 1 : 1 )



Allgemeintoleranz nach DIN ISO 2768-mH / Oberflächenbeschaffenheit nach DIN ISO 1302							
	Datum	Name	Unterschrift				
gezeichnet	2012-08-03	Lang Markus					
geprüft							
freigegeben				Index	Änderungen	Datum	Name
Stückzahl							E 096-245-1
Blattgröße	A4						
Maßstab	Oberfläche:			Bemerkung:		Gewicht:	Material:
						0.010 kg	1.4301 X5CrNi10-10 A2








Pos	Qty	Part Number	Description	Material	Mass
3	1	E 096-227-1		1.4301 X5CrNi10-10 A2	0,073
2	1	E 096-226-1		1.4301 X5CrNi10-10 A2	0,503
1	1	E 096-218-1		1.4301 X5CrNi10-10 A2	2,488

Parts List

Allgemeintoleranz nach DIN ISO 2768-mH / Oberflächenbeschaffenheit nach DIN ISO 1302

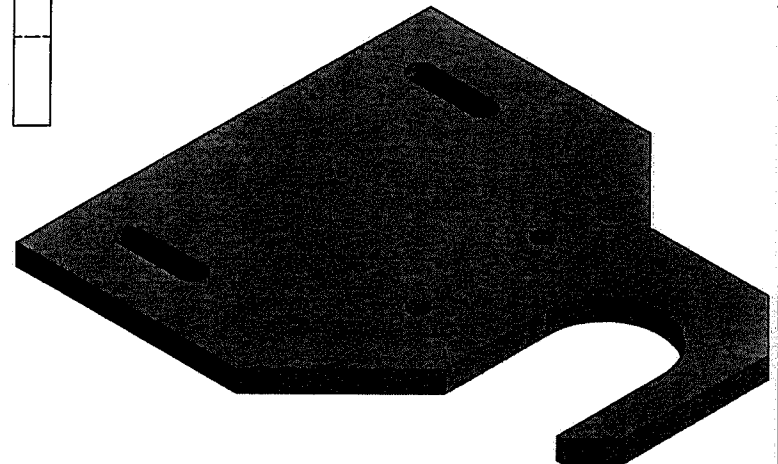
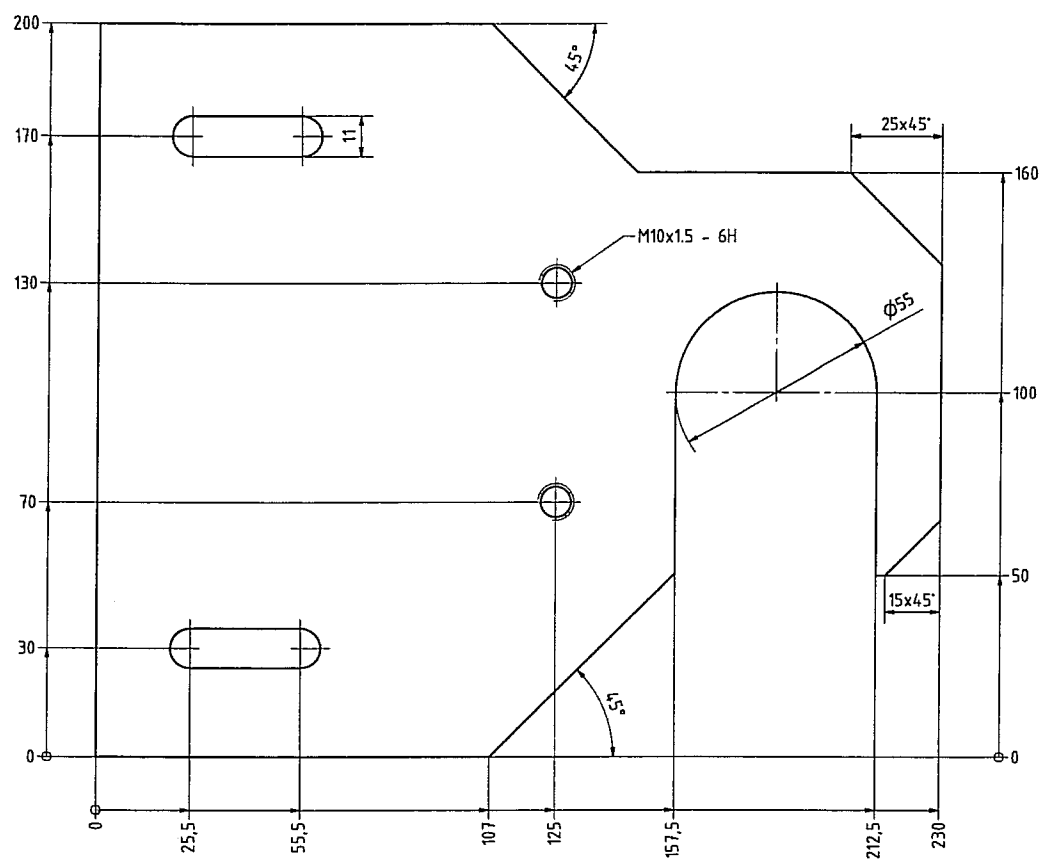
Datum	Name	Unterschrift	Index	Änderungen	Datum	Name
2012-02-06	Markus Lang					


**IAEA**  
 International Atomic Energy Agency  
 DEPARTMENT OF SAFEGUARDS  
 T&E - Section for Attached and Unattended WTA  
 IAEA - Unclassified Marking Systems Unit

Stückzahl:   
 Blattgröße: **A2** **Z 096-235-1**  
 Material: **Oberfläche: elektropoliert** Bemerkung: Gewicht: **3,084 kg** Material:

8 7 6 5 4 3 2 1

F  
E  
D  
C  
B  
A

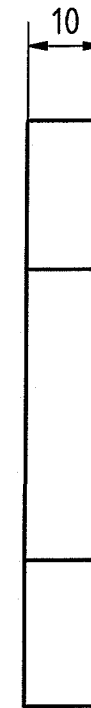
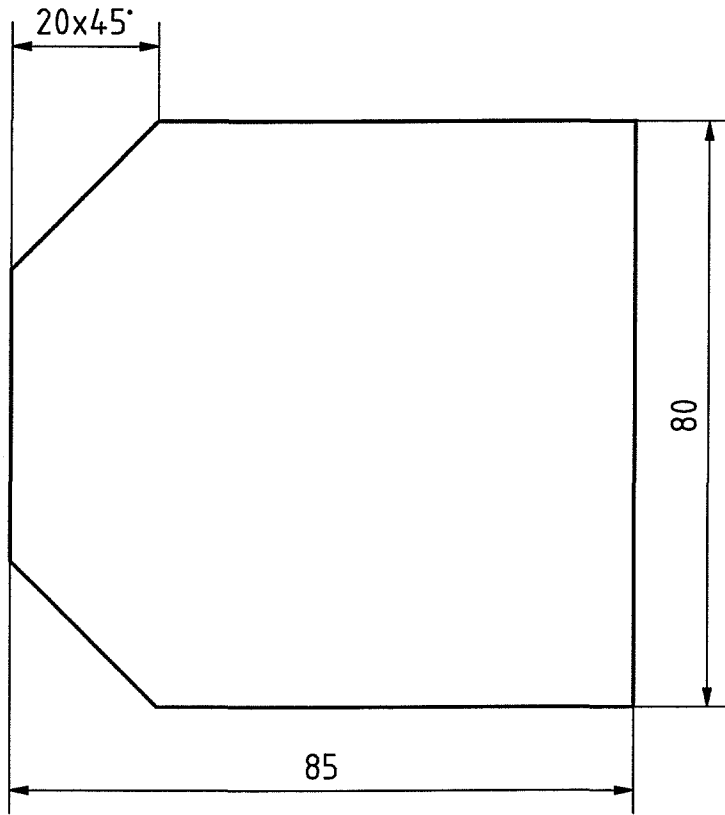


Allgemeintoleranz nach DIN ISO 2768-mH / Oberflächenbeschaffenheit nach DIN ISO 1302						
Datum	Name	Umrisswert				
2012-02-07	Markus Lang					
gezeichnet						
geprüft						
Freigegeben			Index	Änderungen	Datum	Nr.
Stückzahl						
Blattgröße						
A2						
Maßstab	Oberfläche:	Bemerkung:	Gewicht:	Material:		
			2,488 kg	1,4301 X5CrNi10-10 A2		




E 096-218-1

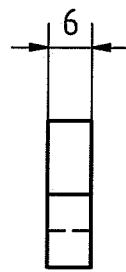
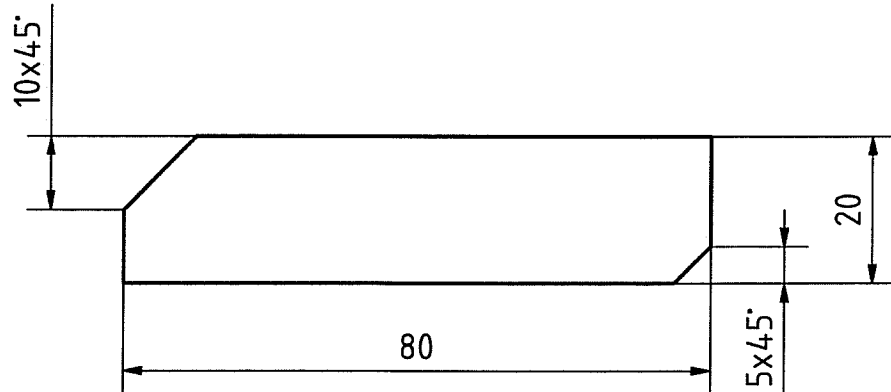
8 7 6 5 4 3 2 1



Allgemeintoleranz nach DIN ISO 2768-mH / Oberflächenbeschaffenheit nach DIN ISO 1302

	Datum	Name	Unterschrift				
gezeichnet	2012-02-07	Markus Lang					
geprüft							
freigegeben				Index	Änderungen	Datum	Name
Stückzahl							 <b>IAEA</b> International Atomic Energy Agency <b>DEPARTMENT OF SAFEGUARDS</b> TAU - Section for Attended and Unattended NDA UMS - Unattended Monitoring Systems Unit
Blattgröße							
A4							
Maßstab	Oberfläche:			Bemerkung:		Gewicht:	Material:
						0.503 kg	1.4301 X5CrNi10-10 A2

E 096-226-1



Allgemeintoleranz nach DIN ISO 2768-mH / Oberflächenbeschaffenheit nach DIN ISO 1302

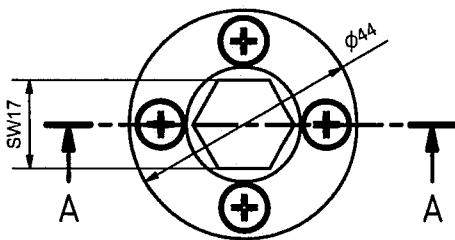
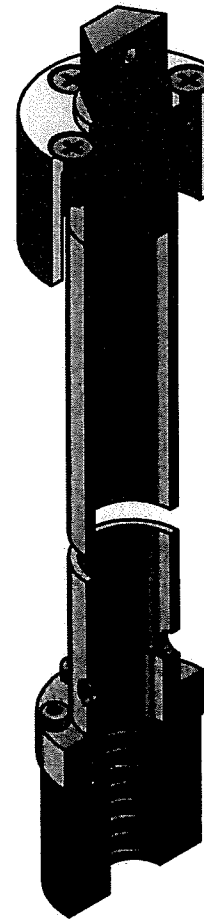
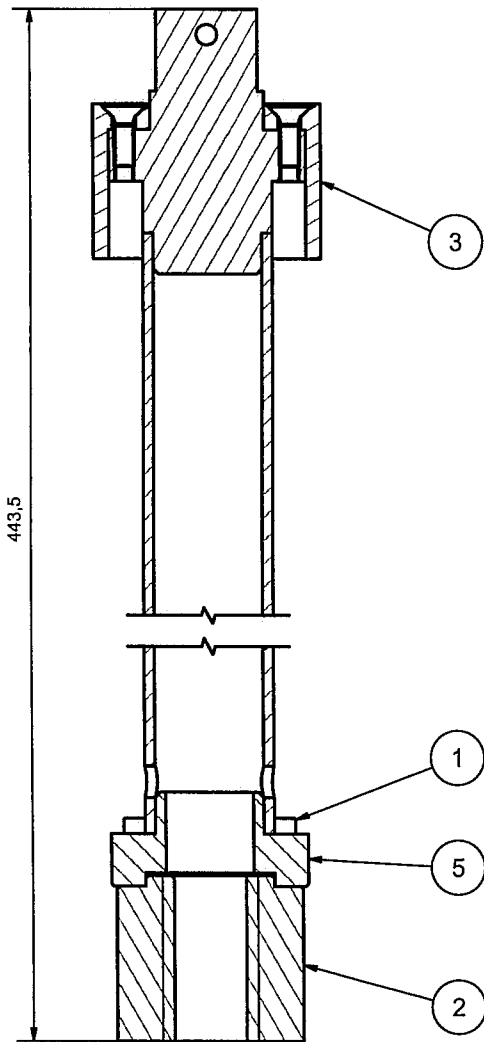
	Datum	Name	Unterschrift				
gezeichnet	2012-02-07	Markus Lang					
geprüft							
freigegeben				Index	Änderungen	Datum	Name



Stückzahl							
Blattgröße							
A4							

E 096-227-1

Maßstab	Oberfläche:	Bemerkung:	Gewicht:	Material:
			0.073 kg	1.4301 X5CrNi10-10 A2



5	1	Z 096-225-3				0,675
4	4	ISO 7046-1 - M4 x 12 - 4.8 - H	Senkschraube		1.4301 X5CrNi10-10 A2	0,002
3	1	E 096-247-1			Kst - PE/UHMW - Weiß	0,014
2	1	E 096-236-3			Bronze	0,233
1	6	DIN 912 - M3 x 20	Zylinderkopfschraube		1.4301 X5CrNi10-10 A2	0,002
Pos	Qty	Part Number	Description		Material	Mass
Parts List						
Allgemeintoleranz nach DIN ISO 2768-mH / Oberflächenbeschaffenheit nach DIN ISO 1302						
	Datum	Name	Unterschrift			
gezeichnet	2012-07-20	Lang Markus				
geprüft						
freigegeben			Index	Änderungen	Datum	Name
Stückzahl						
Blattgröße						
A3						Z 096-250-1
Maßstab	Oberfläche:	Bemerkung:		Gewicht:	Material:	
				0,938 kg		

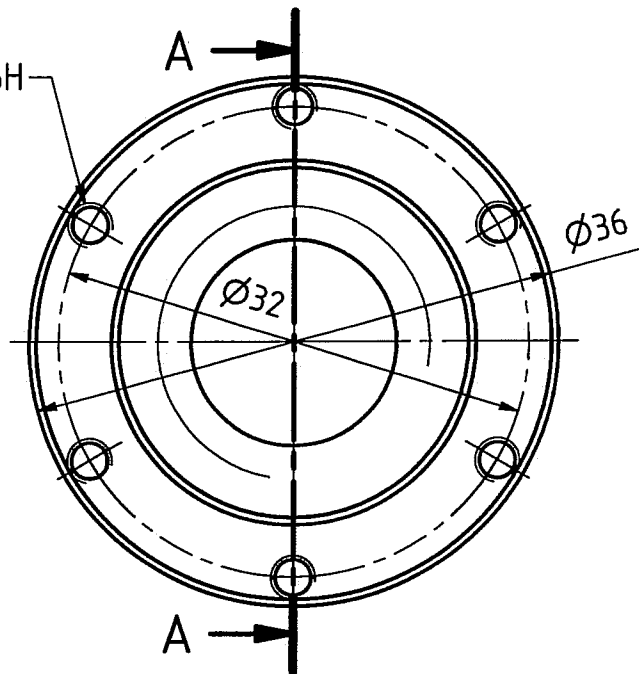


**IAEA**

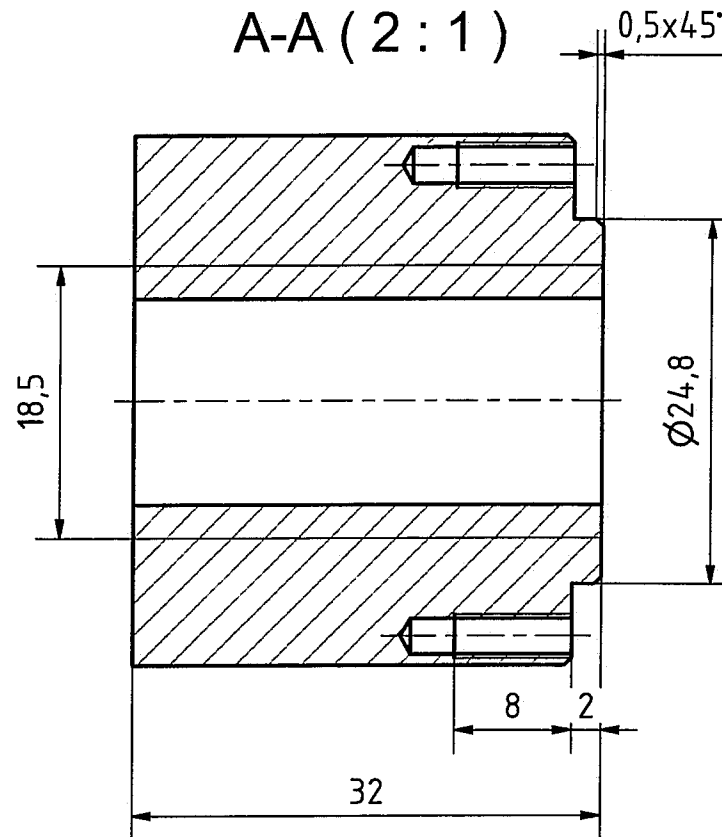
International Atomic Energy Agency

DEPARTMENT OF SAFEGUARDS  
TAU - Section for Attended and Unattended NDA  
UNS - Unattended Monitoring Systems Unit

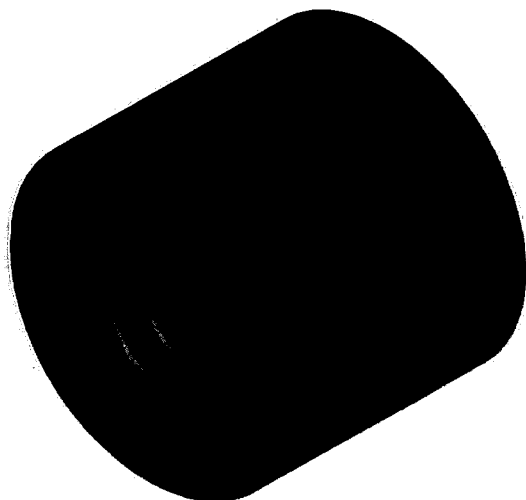
M3x0.5 - 6H




A-A (2:1)

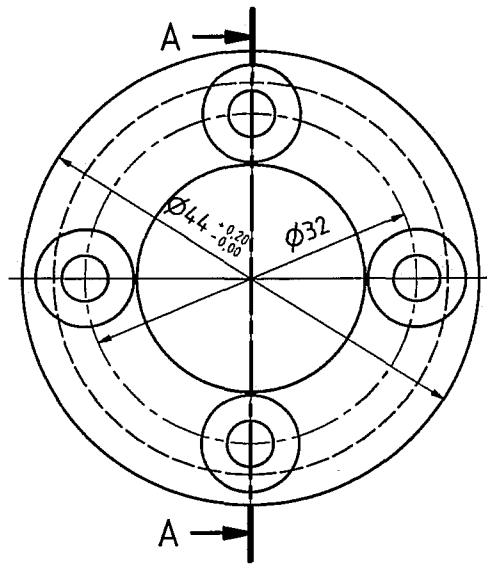


Material: Haberkorn T29624

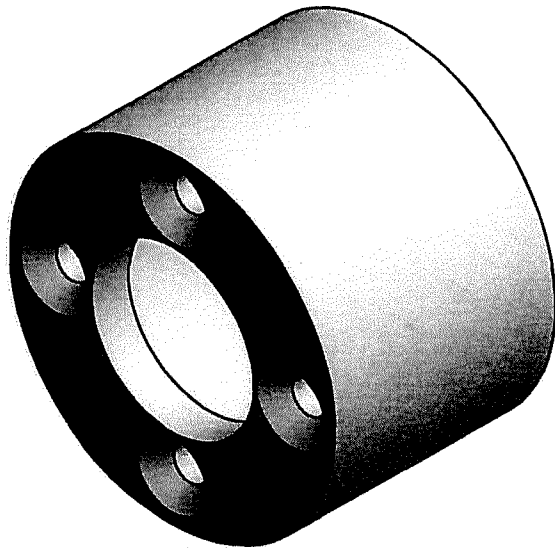
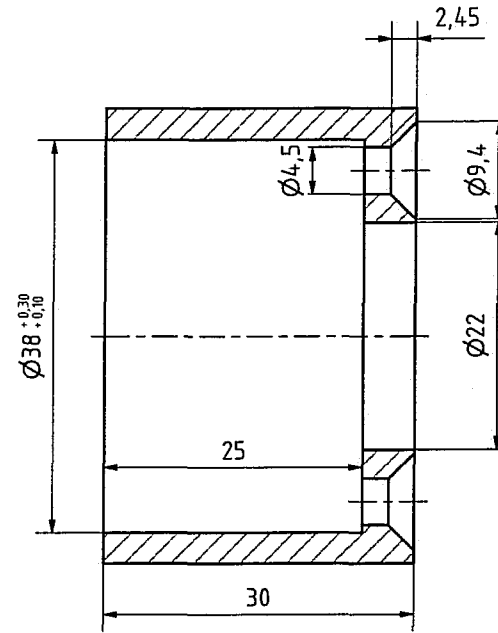



Allgemeintoleranz nach DIN ISO 2768-mH / Oberflächenbeschaffenheit nach DIN ISO 1302								
	Datum	Name	Unterschrift					
gezeichnet	2012-08-03	Lang Markus						
geprüft								
freigegeben				Index	Änderungen	Datum	Name	
Stückzahl							 <b>IAEA</b> International Atomic Energy Agency <b>DEPARTMENT OF SAFEGUARDS</b> TAU - Section for Attended and Unattended NDA UMS - Unattended Monitoring Systems Unit	
Blattgröße								
A4								
Maßstab	Oberfläche:			Bemerkung:		Gewicht:	Material:	
						0.233 kg	Bronze (weiche Zinnbronze)	

E 096-236-3

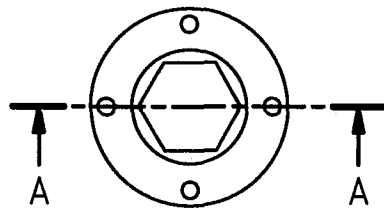
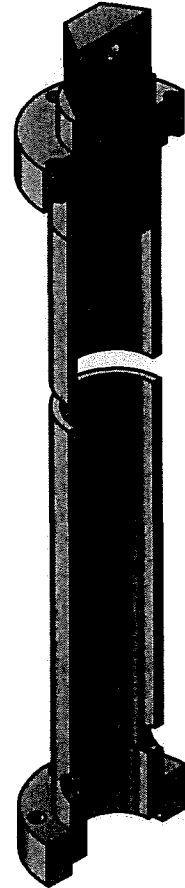
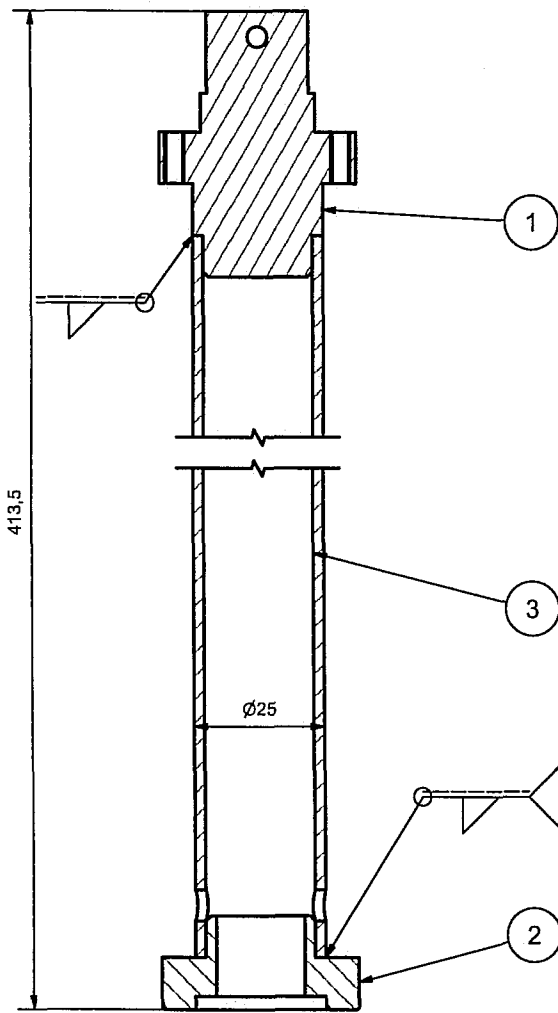


A-A (2:1)



Allgemeintoleranz nach DIN ISO 2768-mH / Oberflächenbeschaffenheit nach DIN ISO 1302							
	Datum	Name	Unterschrift				
gezeichnet	2012-08-03	Lang Markus					
geprüft							
freigegeben				Index	Änderungen	Datum	Name
Stückzahl							 <b>IAEA</b> International Atomic Energy Agency <b>DEPARTMENT OF SAFEGUARDS</b> TAU - Section for Altered and Unattended NDA UMS - Unattended Monitoring Systems Unit
Blattgröße							
A3							
Maßstab	Oberfläche:		Bemerkung:		Gewicht:		Material:
					0.014 kg		Kst - PE/UHMW - Weiß

E 096-247-1



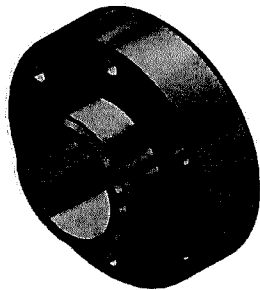
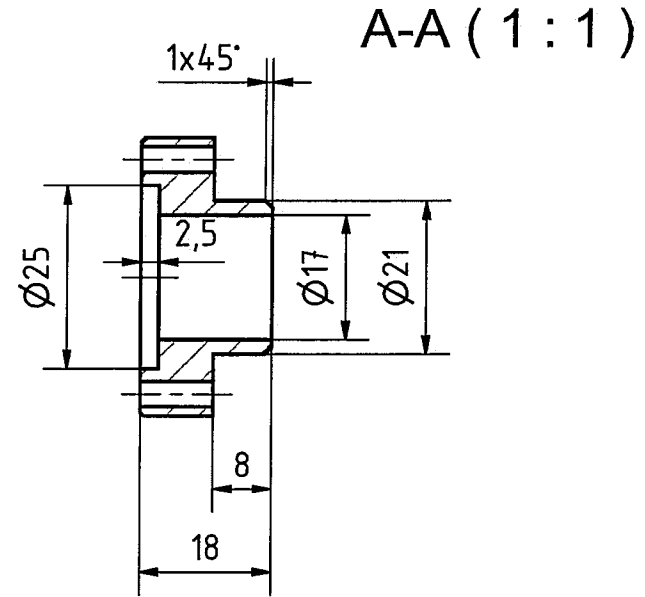
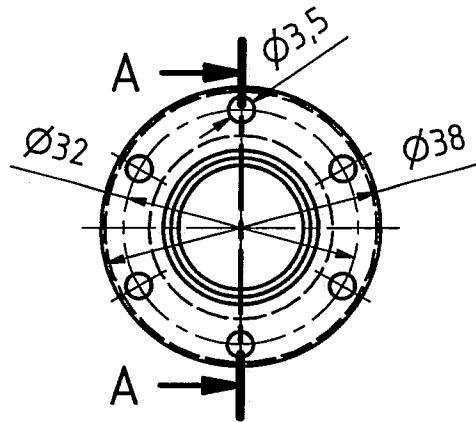
3	1	E 096-223-3		1.4301 X5CrNi10-10 A2	0,408
2	1	E 096-222-3		1.4301 X5CrNi10-10 A2	0,069
1	1	E 096-221-3		1.4301 X5CrNi10-10 A2	0,199
Pos	Qty	Part Number	Description	Material	Mass
Parts List					
Allgemeintoleranz nach DIN ISO 2768-mH / Oberflächenbeschaffenheit nach DIN ISO 1302					
gezeichnet	Datum	Name	Unterschrift		
geprüft					
freigegeben				Index	Änderungen Datum Name
Stückzahl					
Blattgröße					
A3					
Maßstab	Oberfläche: elektroliert	Bemerkung:	Gewicht: 0,675 kg	Material:	




Z 096-225-3

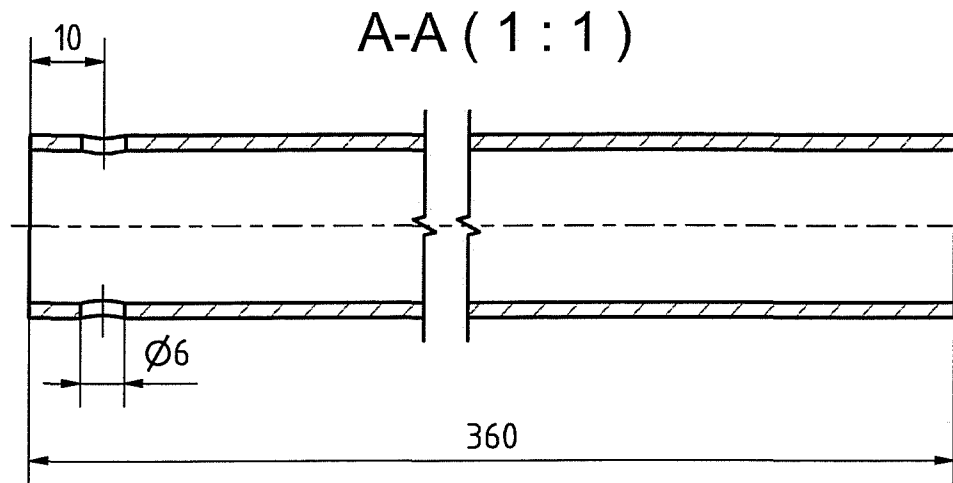
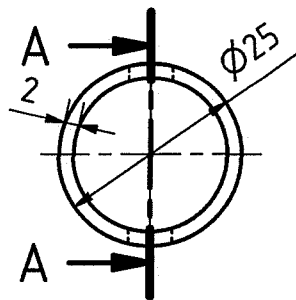







Allgemeintoleranz nach DIN ISO 2768-mH / Oberflächenbeschaffenheit nach DIN ISO 1302							
	Datum	Name	Unterschrift				
gezeichnet	2012-08-03	Lang Markus					
geprüft							
freigegeben				Index	Änderungen	Datum	Name
Stückzahl							 <b>IAEA</b> International Atomic Energy Agency <b>DEPARTMENT OF SAFEGUARDS</b> TAU - Section for Attended and Unattended NDA UMS - Unattended Monitoring Systems Unit
Blattgröße							
A4							
Maßstab	Oberfläche:		Bemerkung:		Gewicht:	Material:	
					0.069 kg	1.4301 X5CrNi10-10 A2	

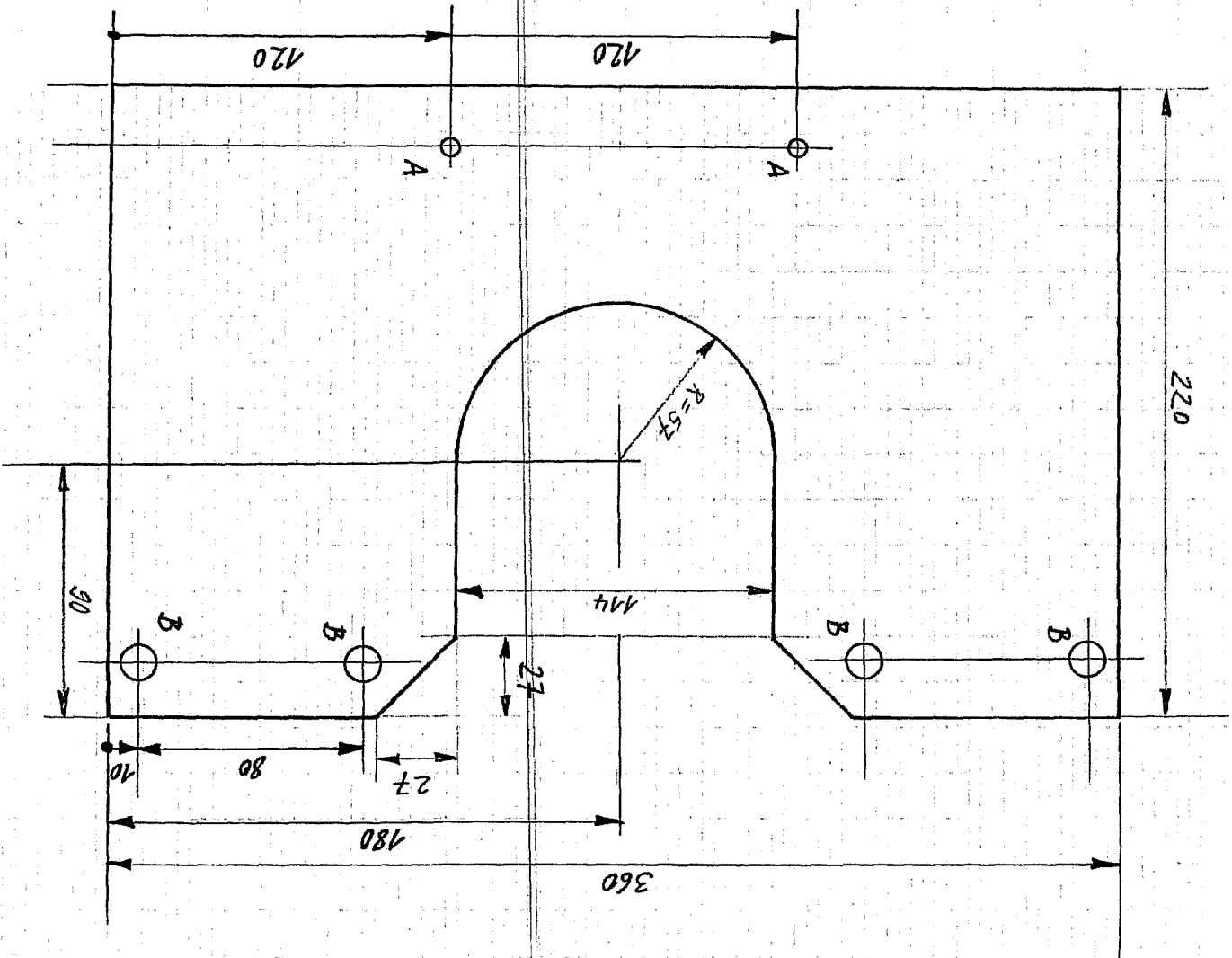
E 096-222-3



Allgemeintoleranz nach DIN ISO 2768-mH / Oberflächenbeschaffenheit nach DIN ISO 1302

	Datum	Name	Unterschrift					 <b>IAEA</b> International Atomic Energy Agency <b>DEPARTMENT OF SAFEGUARDS</b> TAU - Section for Attended and Unattended NDA UMS - Unattended Monitoring Systems Unit
gezeichnet	2012-08-03	Lang Markus						
geprüft								
freigegeben				Index	Änderungen	Datum	Name	
Stückzahl								<b>E 096-223-3</b>
Blattgröße	A4							
Maßstab	Oberfläche:			Bemerkung:		Gewicht:	Material:	
						0.408 kg	1.4301 X5CrNi10-10 A2	

Protective plate for FORK detector

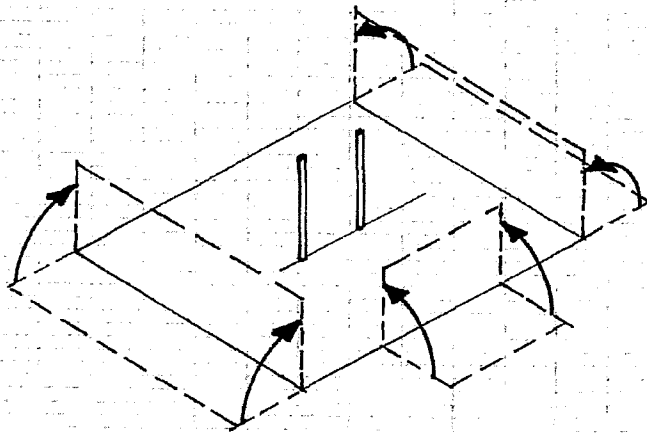
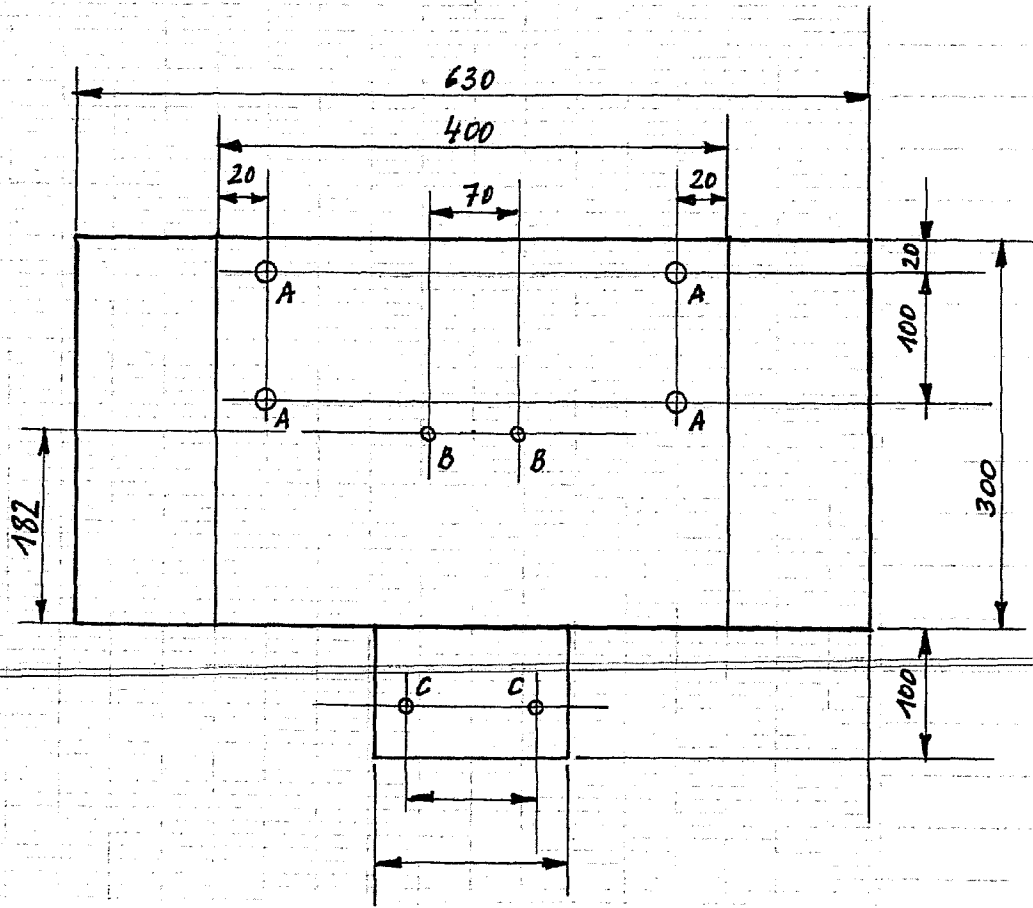


Material = Polyethylene

A = hole  $\phi$  7 mm

B = hole  $\phi$  10 mm

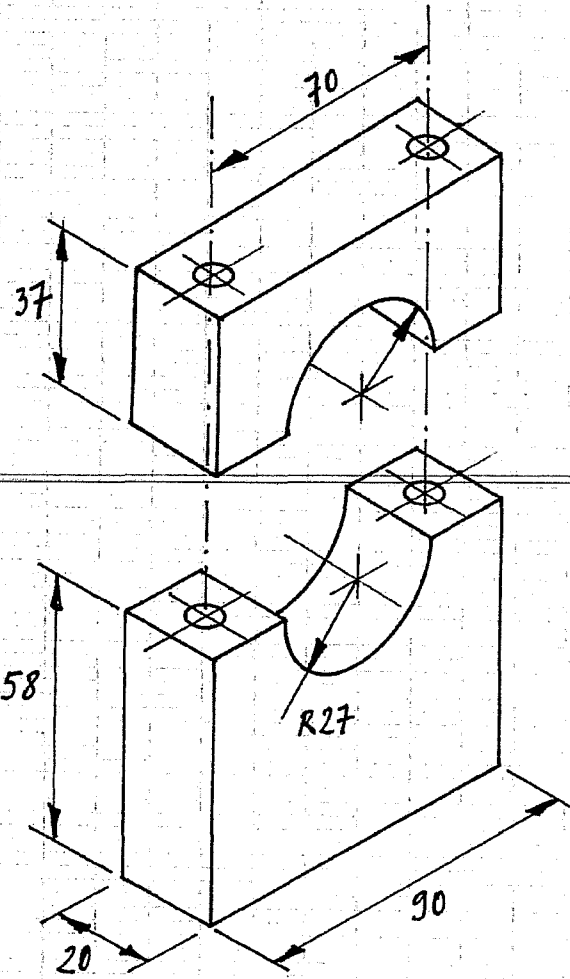
# Support plate for FORK detector



- A = hole  $\phi$  10 mm
- B = threaded rod  
M5 x 110 mm
- C = hole  $\phi$  6 mm

Stainless steel 2 mm

# Clamping blocks



holes  $\phi$  7 mm.  
material:  
or - hard plastic  
- aluminium